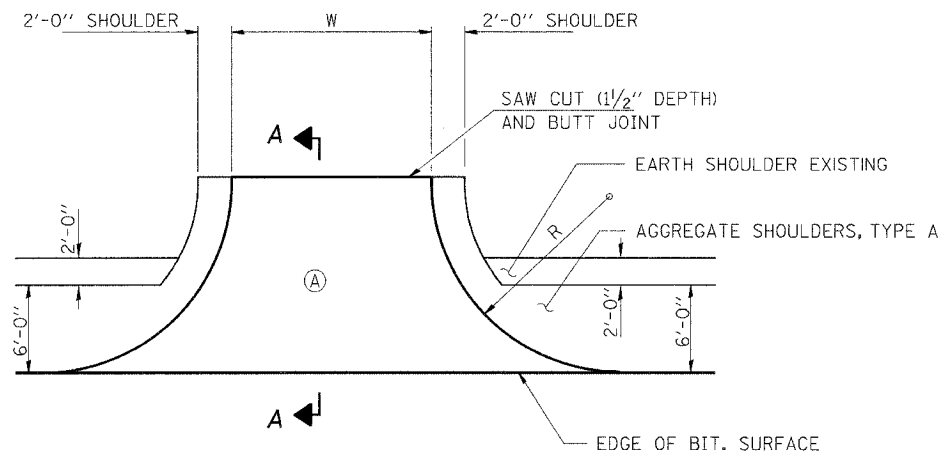
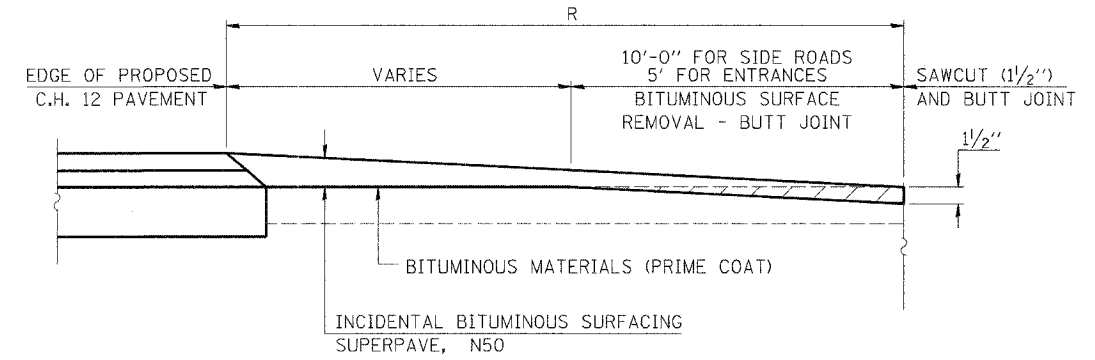


ROUTE NO.	SECTION	COUNTY	TOTAL SHEETS	SHEET NO.
C.H. 12	00-00075-00-PV	MACOUPIN	37	27
FED. ROAD DIST. NO.		ILLINOIS	FED. AID PROJECT	

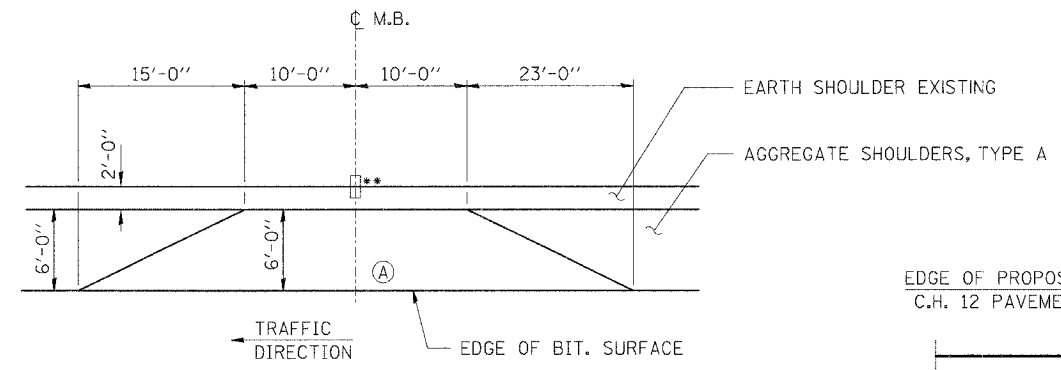


**SIDE ROAD DETAIL**

- RT STA 49+83 (BENSTEAD RD) R=30 W=20
- RT STA 103+32 (KREUS RD) R=50 W=24
- LT STA 103+36 (KIMES RD) R=50 W=24
- RT STA 182+94 (BOSTON CHAPEL RD) R=30 W=20
- LT STA 182+94 (BALL RD) R=30 W=20



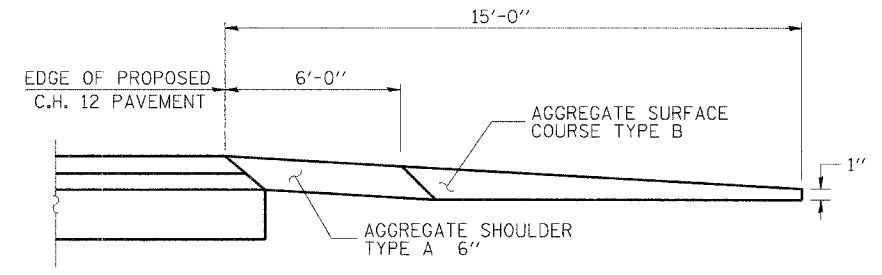
**SECTION A-A**



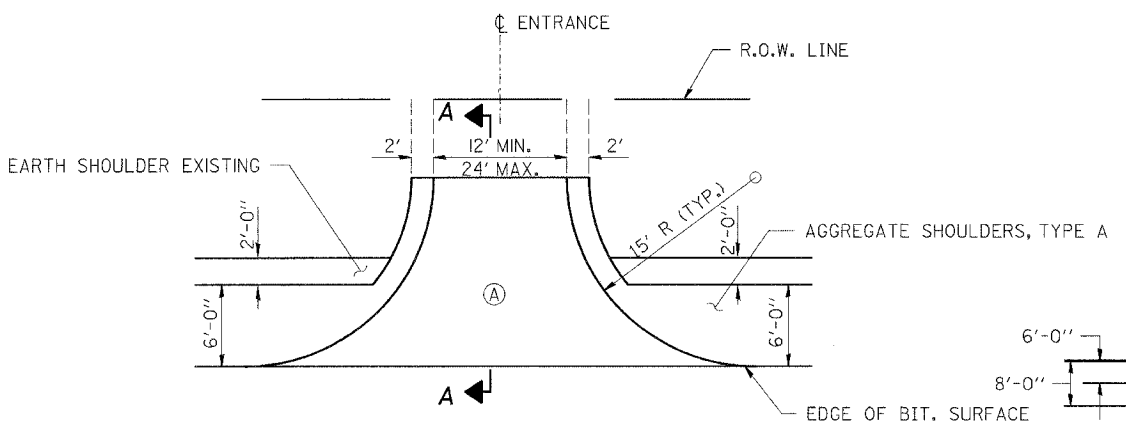
**MAILBOX TURNOUT**

- 6 LOCATIONS
- 150+30
- 116+89
- 153+00
- 180+14
- 178+54
- 202+18

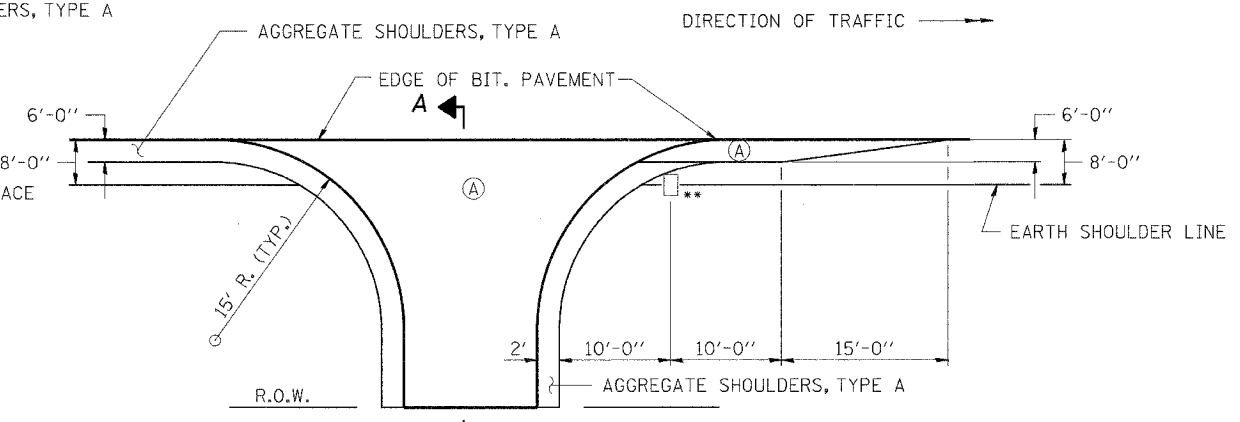
\*\* MAILBOX POST SHALL BE PLACED 2 FEET FROM THE EDGE OF TURNOUT SURFACE



**SECTION B-B**



**COMMERCIAL OR PRIVATE ENTRANCE DETAIL**



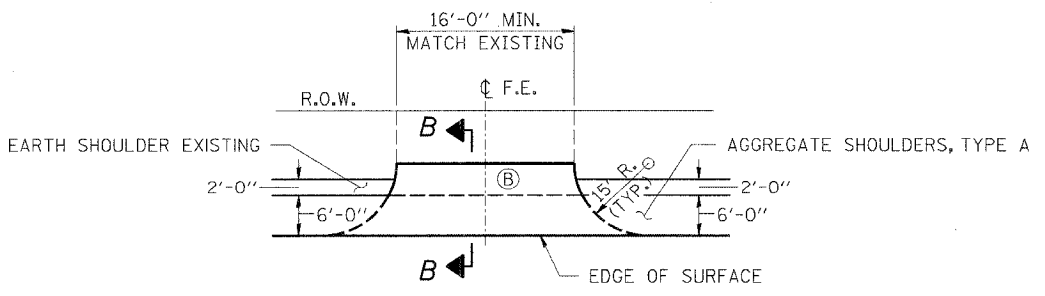
**ENTRANCE WITH MAILBOX TURNOUT**

- 5 LOCATIONS
- 121+42
- 171+48
- 193+30
- 200+74
- 209+78

NOTE: BITUMINOUS SURFACING ON SIDE ROAD AND SIDE STREET RETURNS SHALL BE BUTT JOINTED AS DIRECTED BY THE ENGINEER. QUANTITIES INCLUDED IN THOSE LISTED.

**LEGEND**

- (A) INCIDENTAL BITUMINOUS SURFACING (5/4" AND VARIES) BITUMINOUS MATERIALS (PRIME COAT)
- (B) AGGREGATE SURFACE COURSE, TYPE B. VARY THICKNESS FROM 6" AT EDGE OF AGGREGATE SHOULDER TO 1" AT END OF CONSTRUCTION.



**FIELD ENTRANCE DETAIL**

**HLR**

Rice, Berry and Associates  
A Division of Hampton, Lenzini and Renwick, Inc.  
Civil & Structural Engineers  
801 S. Durkin Drive  
Springfield, Illinois 62704  
217-546-3400

Account Number: 03-61-0002-1  
Date: 03/10/05

P.O. Box 1036  
DuQuoin, Illinois 62832  
618-790-4637

DESIGNED: L.F.S. CHECKED: DRAWN: W.J.S.

**ROADWAY DETAILS**  
SECTION 00-00075-00-PV  
C.H. 12 FARMERSVILLE ROAD  
MACOUPIN COUNTY