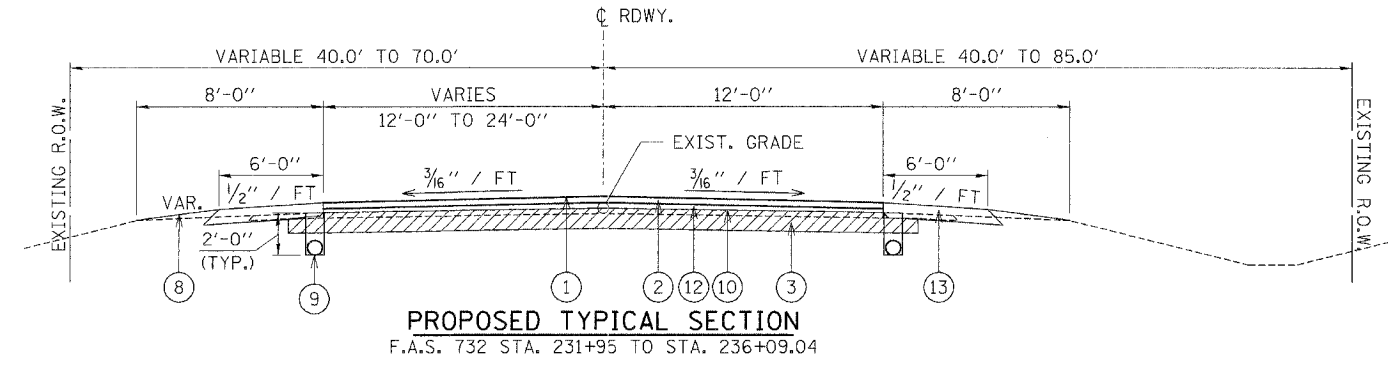
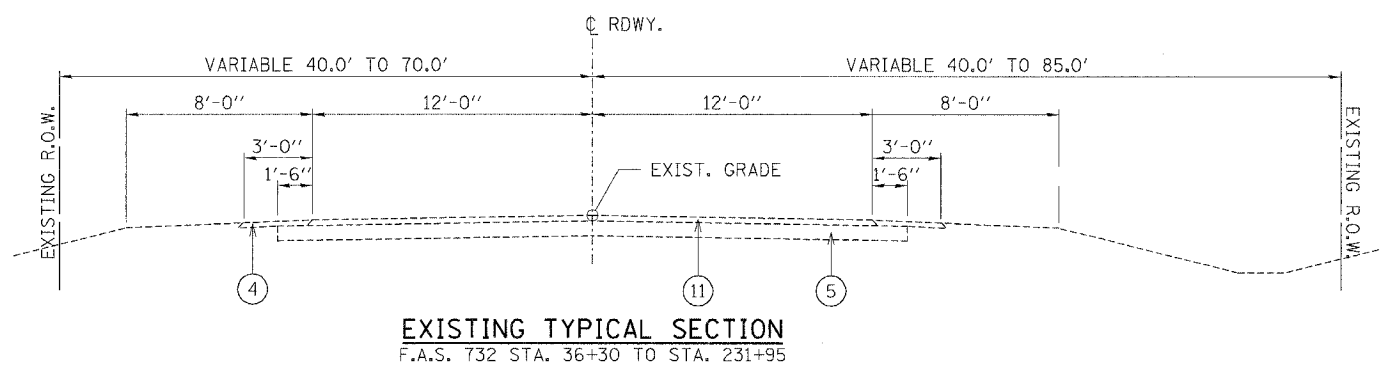


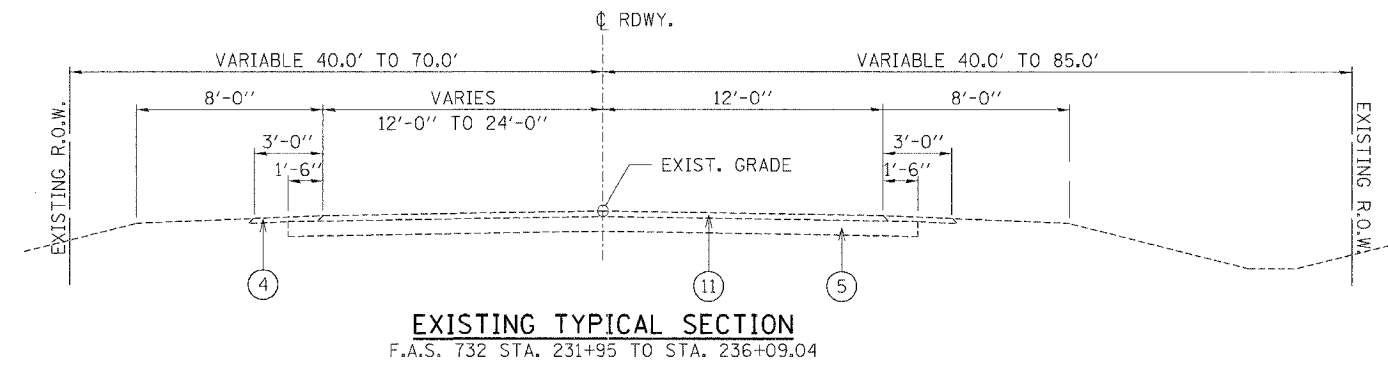
PROPOSED TYPICAL SECTION
F.A.S. 732 STA. 36+30 TO STA. 231+95



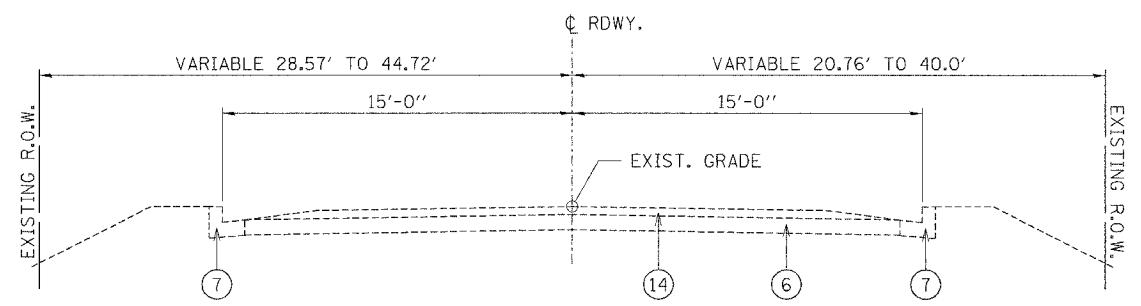
PROPOSED TYPICAL SECTION
F.A.S. 732 STA. 231+95 TO STA. 236+09.04



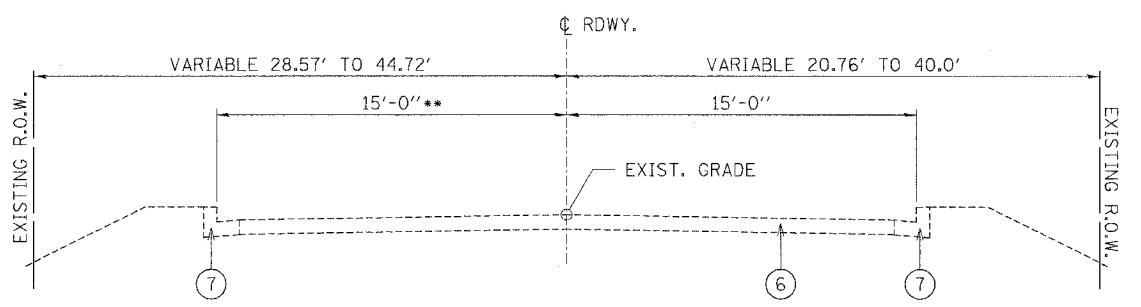
EXISTING TYPICAL SECTION
F.A.S. 732 STA. 36+30 TO STA. 231+95



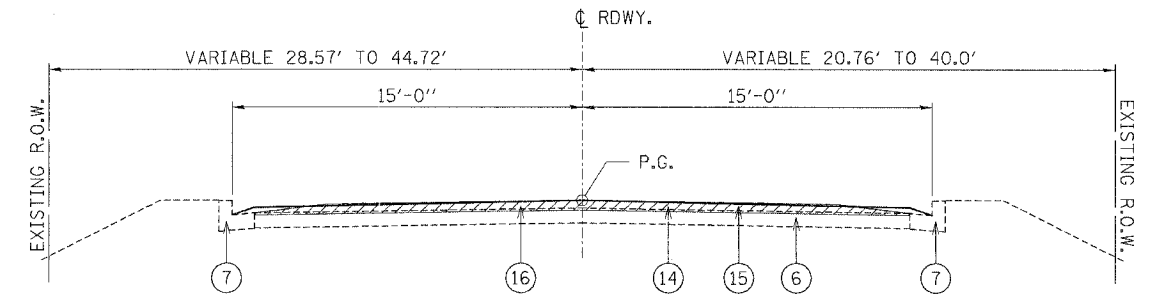
EXISTING TYPICAL SECTION
F.A.S. 732 STA. 231+95 TO STA. 236+09.04



EXISTING TYPICAL SECTION
F.A.S. 732 STA. 16+92.04 TO STA. 17+19.30
F.A.S. 732 STA. 17+29.73 TO STA. 17+33.80
F.A.S. 732 STA. 17+44.20 TO STA. 18+06.00
F.A.S. 732 STA. 23+50.12 TO STA. 24+19.76
F.A.S. 732 STA. 24+29.97 TO STA. 24+75.00



EXISTING TYPICAL SECTION
F.A.S. 732 STA. 10+11 TO STA. 16+92.04
F.A.S. 732 STA. 18+06.00 TO STA. 23+50
F.A.S. 732 STA. 24+75 TO STA. 36+30



PROPOSED TYPICAL SECTION
F.A.S. 732 STA. 16+92.00 TO STA. 17+19.26
F.A.S. 732 STA. 17+29.11 TO STA. 17+33.74
F.A.S. 732 STA. 17+44.20 TO STA. 18+05.00
F.A.S. 732 STA. 23+50.00 TO STA. 24+19.76
F.A.S. 732 STA. 24+29.97 TO STA. 24+75.00

- ① BITUMINOUS CONCRETE SURFACE COURSE, SUPERPAVE, MIX C N50 (2" THICKNESS)
- ② BITUMINOUS CONCRETE BINDER COURSE SUPERPAVE, IL-19.0 N50 (3/4" THICKNESS)
- ③ PROCESSING SOIL CEMENT BASE COURSE (CS500) (7/2" THICKNESS)
- ④ AGGREGATE SHOULDER
- ⑤ POZZOLONIC BASE COURSE
- ⑥ 7" PCC PVT. WITH FABRIC
- ⑦ B6.18 CC&G
- ⑧ EARTH (INCIDENTAL TO CONTRACT)
- ⑨ PROPOSED PIPE UNDERDRAIN 4" *
- ⑩ BITUMINOUS MATERIALS (PRIME COAT)
- ⑪ BITUMINOUS CONCRETE SURFACE
- ⑫ AGGREGATE SURFACE TYPE A 1/2" (WHEN REQUIRED)
- ⑬ AGGREGATE SHOULDER TYPE A 6"
- ⑭ EXISTING BITUMINOUS OVERLAY
- ⑮ BITUMINOUS SURFACE REMOVAL (1 1/2" MIN.)
- ⑯ BITUMINOUS CONCRETE SURFACE COURSE, SUPERPAVE, MIX C N50 (1 1/2" MIN. THICKNESS)

NOTE
* FOR LOCATION OF UNDERDRAIN PLACEMENT SEE UNDERRAIN TABULATION OR AS DIRECTED BY ENGINEER
** FROM LT. STA. 14+00 TO LT. STA. 17+20 EXISTING 12' TURN LANE AND TAPER

HLR
Rice, Berry and Associates
A Division of Hampton, Lenzini and Renwick, Inc.
Civil & Structural Engineers
801 S. Durkin Drive
Springfield, Illinois 62704
217-546-3400
P.O. BOX 1036
DuQuoin, Illinois 62832
618-790-4637
Account Number: 03-61-0002-1
Date: 03/10/05
DESIGNED: L.F.S. CHECKED: L.F.S. DRAWN: D.T.M.

TYPICAL CROSS SECTIONS
SECTION 00-00075-00-PV
C.H. 12 FARMERSVILLE ROAD
MACOUPIN COUNTY