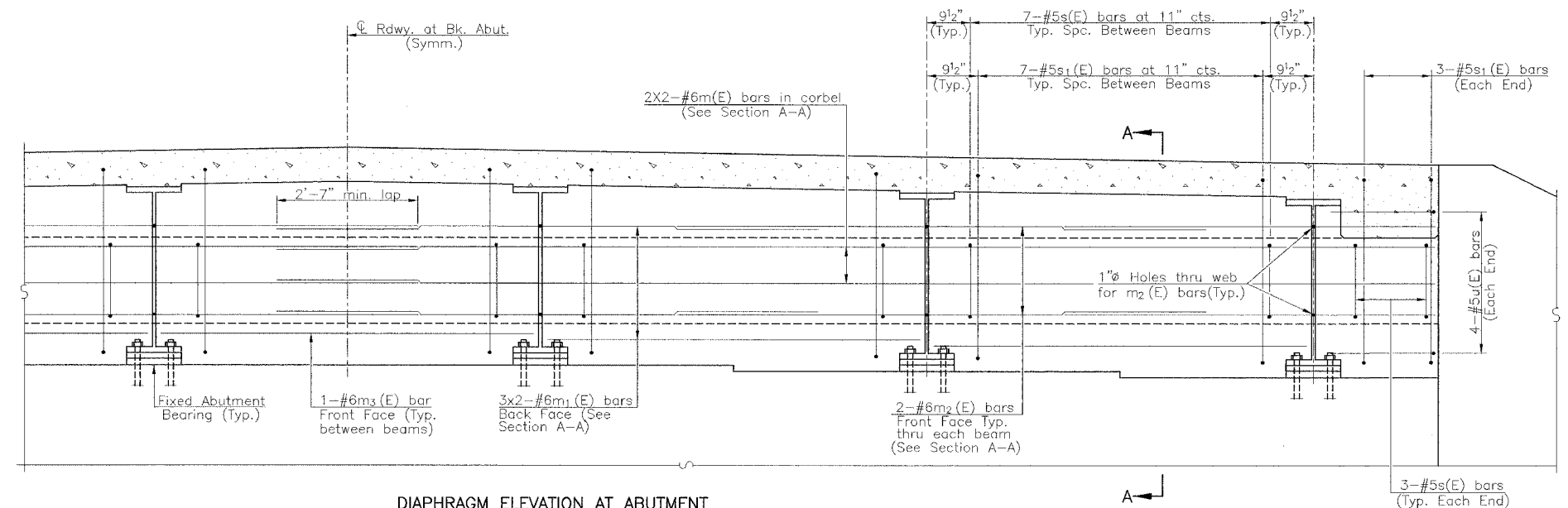


RTE.	SECTION	COUNTY	TOTAL SHEETS	SHEET NO.
C.H. 40	*	SANGAMON	33	15
PROJECT				

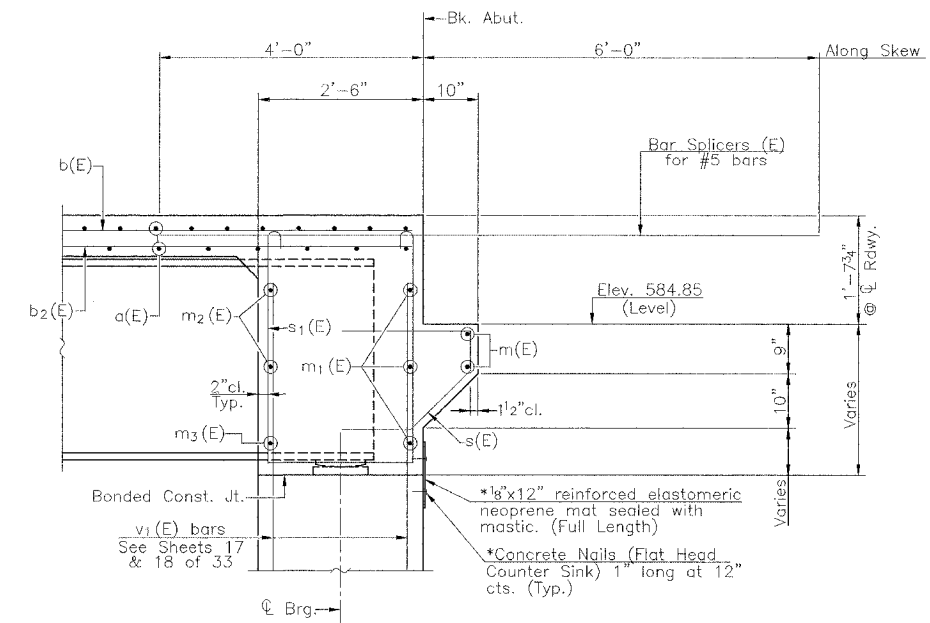
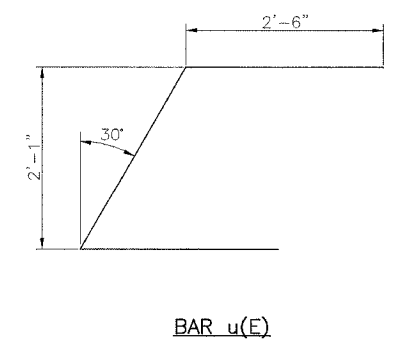
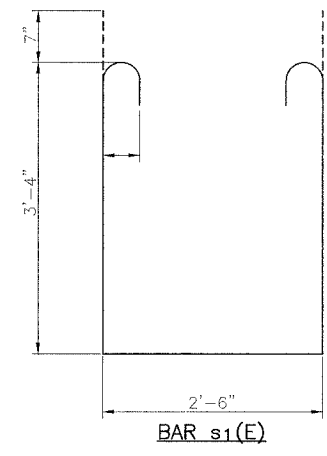
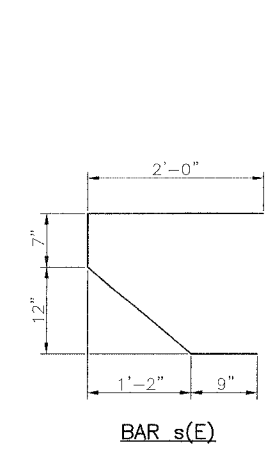
* 00-00021-02-BR



DIAPHRAGM ELEVATION AT ABUTMENT

Notes:
 Reinforcement bars in diaphragm are billed with superstructure on Sheet 11 of 33.
 Concrete in diaphragm is included with Concrete Superstructure on Sheet 11 of 33.
 The s(E) and s₁(E) bars shall be placed parallel to the beams. Spacing for these bars shall be at right angles to the beams.
 For bearing details, see Sheet 14 of 33.
 For anchor bolt details, see Sheet 20 of 33.

MIN. BAR LAPS
 #6 bar = 2'-7"



SECTION A-A
 Dimensions are at right angles to abutment except as shown.

* Cost included with Concrete Structures.

DIAPHRAGM DETAILS
 C.H. 40 OVER HORSE CREEK
 SECTION 00-00021-02-BR
 SANGAMON COUNTY

FILE NAME: SC044000 (REV. 3/14/05)