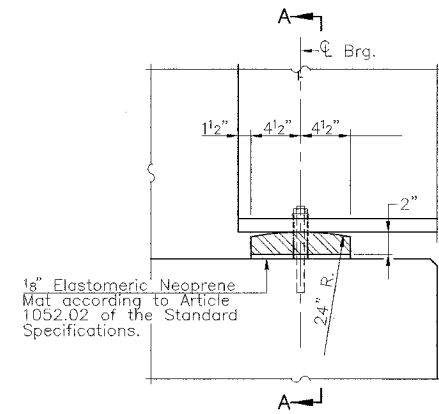


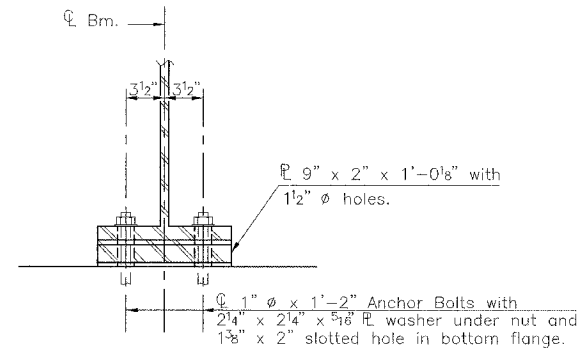
RTE.	SECTION	COUNTY	TOTAL SHEETS	SHEET NO.
C.H. 40	*	SANGAMON	33	14
PROJECT				

* 00-00021-00-BR

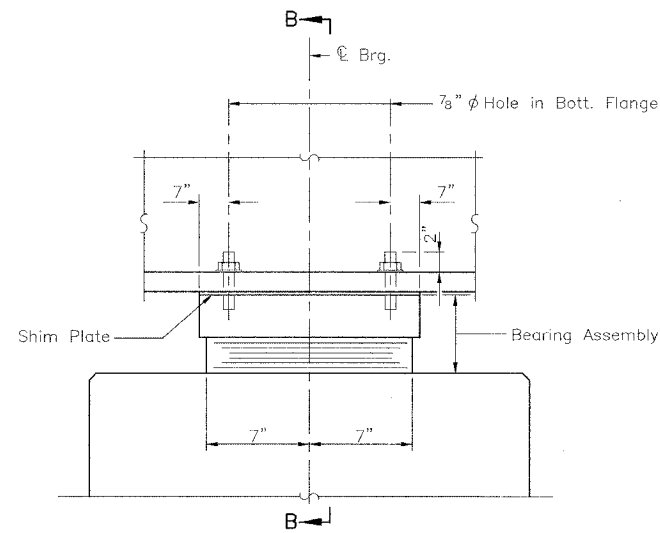


ELEVATION AT ABUTS.

FIXED BRG. AT ABUTMENTS

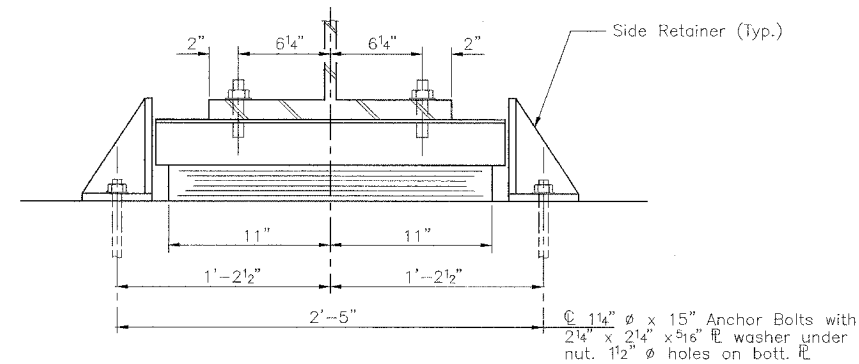


SECTION A-A

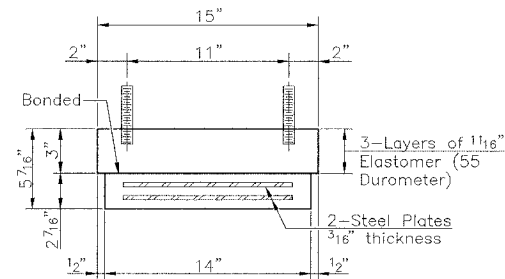


ELEVATION AT PIERS

EXPANSION BRG. AT PIERS

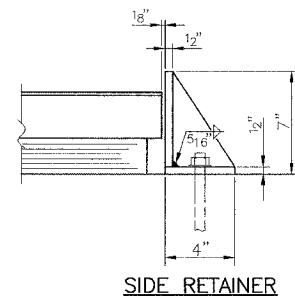


SECTION B-B

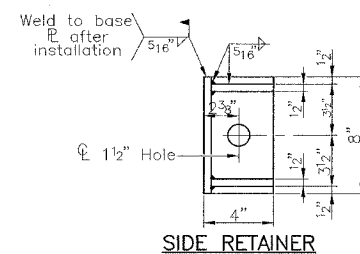


BEARING ASSEMBLY

Notes: Shim plates shall not be placed under Bearing Assembly.



SIDE RETAINER



SIDE RETAINER

Notes:
 Anchor bolts at bearings may be built into the masonry.
 See Sheet No. 20 of 33 for Anchor Bolt details.
 All plates for the fixed and expansion bearings shall be AASHTO M270, Grade 50.

BEARING DETAILS
 C.H. 40 OVER HORSE CREEK
 SECTION 00-00021-02-BR
 SANGAMON COUNTY

FILE NAME: SCHED.B (REV. 1/27/03)