

FAS RTE.	SECTION	COUNTY	TOTAL SHEETS	SHEET NO.
732	*	MACOUPIN	15	12
FED. ROAD DIST. NO. 1 ILLINOIS FED. AID PROJECT				
*02-0083-00-BR				

NOTES

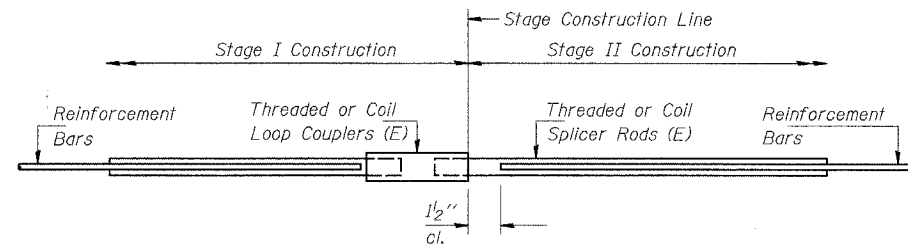
Bar splicer assemblies shall be of an approved type and shall develop in tension at least 125 percent of the yield strength of the lapped reinforcement bars.
 Splicer rods shall be of minimum 60 ksi yield strength, threaded or coiled full length.
 All reinforcement bars shall be lapped and tied to the splicer rods or dowel bars.
 Bar splicer assemblies shall be epoxy coated according to the requirements for reinforcement bars.
 Other systems of similar design may be submitted to the Engineer for approval. Approval shall be based on certified test results from an approved testing laboratory that the proposed bar splicer assembly satisfies the following requirements:

- ① Minimum Capacity = $1.25 \times f_y \times A_t$
 (Tension in kips)
- ② Minimum *Pull-out Strength = $1.25 \times f_{sallow} \times A_t$
 (Tension in kips)

Where f_y = Yield strength of lapped reinforcement bars in ksi.
 f_{sallow} = Allowable tensile stress in lapped reinforcement bars in ksi (Service Load)
 A_t = Tensile stress area of lapped reinforcement bars.
 * = 28 day concrete

BAR SPLICER ASSEMBLIES			
Bar Size to be Spliced	Splicer Rod or Dowel Bar Length	Strength Requirements	
		Min. Capacity kips - tension	Min. Pull-Out Strength kips - tension
#5	2'-0"	23.0	9.2
#6	2'-7"	33.1	13.3
#7	3'-5"	45.1	18.0
#8	4'-6"	58.9	23.6

Bar splicer assemblies shall be according to Section 508 of the Standard Specifications, except as noted. The furnishing and installation of bar splicer assemblies will be measured and paid for at the contract unit price each for "BAR SPLICERS."



SPLICER DETAIL

Bar Size	No. Assemblies Required	Location

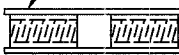
The diameter of this part is the same as the diameter of the bar spliced.

ROLLED THREAD DOWEL BAR



** ONE PIECE

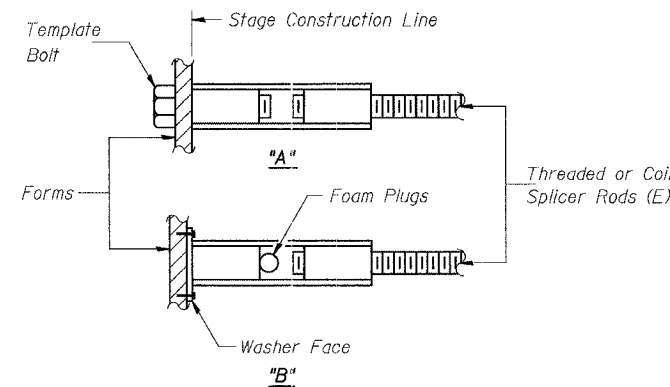
Wire Connector



WELDED SECTIONS

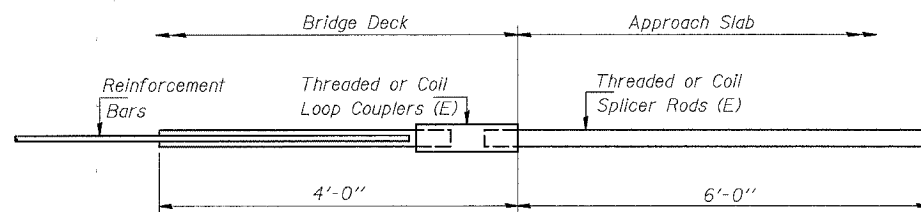
BAR SPLICER ASSEMBLY ALTERNATIVES

** Heavy Hex Nuts conforming to ASTM A 563, Grade C, D or DH may be used.



INSTALLATION AND SETTING METHODS

"A" : Set bar splicer assembly by means of a template bolt.
 "B" : Set bar splicer assembly by nailing to wood forms or cementing to steel forms.
 (E) : Indicates epoxy coating.



**INTEGRAL ABUTMENT
 BAR SPLICER ASSEMBLY DETAIL
 FOR #5 BAR**

Min. Capacity = 23.0 kips - tension
Min. Pull-out Strength = 9.2 kips - tension
No. Required = 48

SHEET TITLE	
BAR SPLICER ASSEMBLY DETAILS	
PROJECT	PROJECT NO.
C.H. 12 OVER SOLOMON CREEK	03016
FAS ROUTE 732 SEC. 02-0083-00-BR	SCALE
MACOUPIN COUNTY	DATE 2/16/04
STATION 9+90.00	DRAWN BY TFG
STRUCTURE NUMBER 059-3465	CHECKED BY MRL/REG/MCB
DRAWING NO.	
COOMBE-BLOXDORF P.C.	
Engineers / Land Surveyors	
Springfield, Illinois	
Design Firm License No. 184-002703	12
	OF 15 SHTS