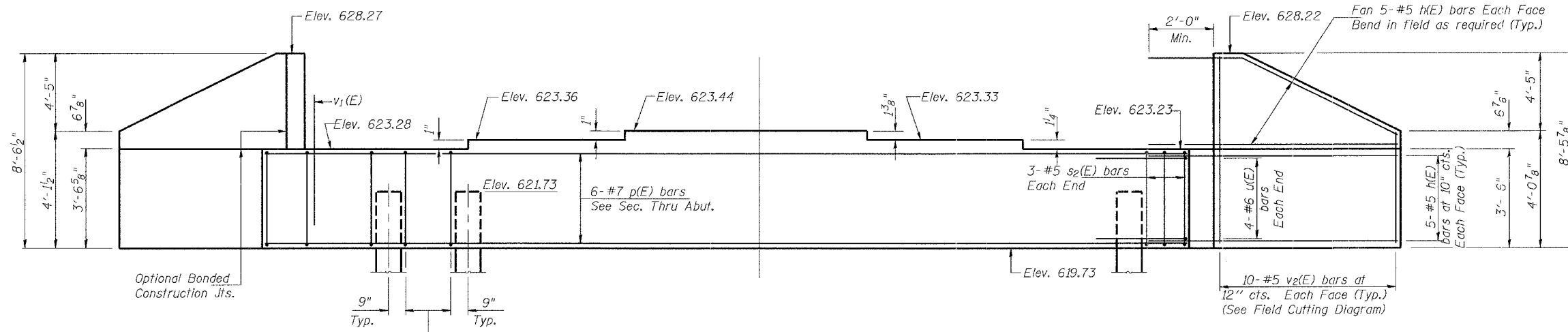
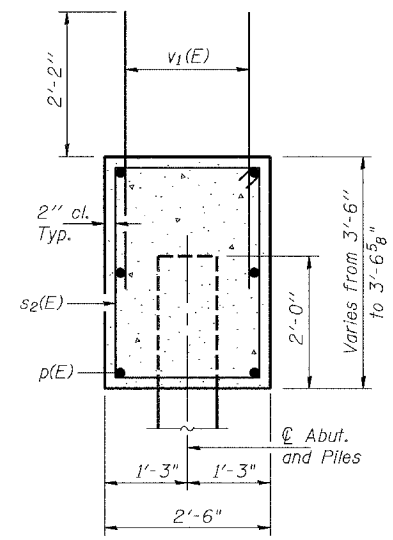


FAS RTE.	SECTION	COUNTY	TOTAL SHEETS	SHEET NO.
732	*	MACOUPIN	15	11
FED. ROAD DIST. NO. 1 ILLINOIS FED. AID PROJECT				
•02-00083-00-BR				

Notes: Pour steps monolithically with cap.
Reinforcement bars designated (E)
shall be epoxy coated.



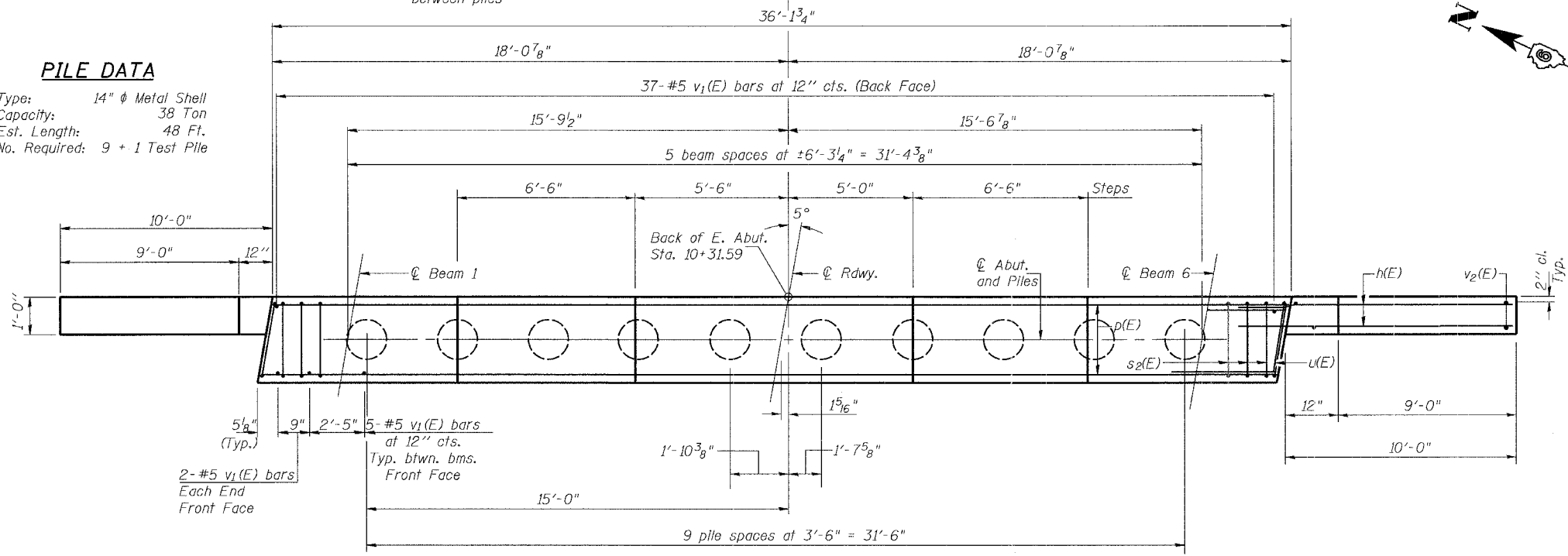
ELEVATION
(Looking East)



SEC. THRU ABUT.

PILE DATA

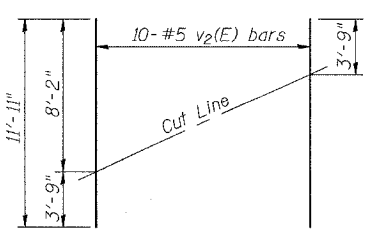
Type: 14" ϕ Metal Shell
Capacity: 38 Ton
Est. Length: 48 Ft.
No. Required: 9 + 1 Test Pile



PLAN

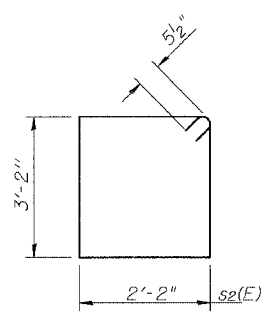
BILL OF MATERIAL
E. ABUTMENT

Bar	No.	Size	Length	Shape
h(E)	40	#5	12'-0"	—
p(E)	6	#7	35'-9"	—
s2(E)	33	#5	11'-7"	□
u(E)	8	#6	12'-0"	└
v1(E)	66	#5	4'-4"	—
v2(E)	20	#5	11'-11"	—
Concrete Structures		Cu. Yd.		16.2
Reinforcement Bars		Pound		2030
Epoxy Coated				
Structure Excavation		Cu. Yd.		50
Furnishing Metal		Foot		432
Pile Shells 14"				
Driving & Filling		Foot		432
Shells				
Test Pile, Metal Shell		Each		1

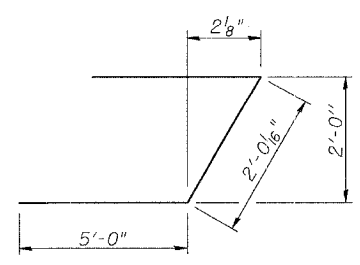


FIELD CUTTING DIAGRAM

Order v2(E) full length. Cut as shown and use remainder of bars in opposite face.



BARS s2(E)



BAR u(E)

e-abutment

SHEET TITLE		EAST ABUTMENT	
PROJECT	C.H. 12 OVER SOLOMON CREEK	PROJECT NO.	03016
FAS ROUTE	732 SEC. 02-00083-00-BR	SCALE	
COUNTY	MACOUPIN COUNTY	DATE	2/16/04
STATION	9+90.00	DRAWN BY	TFG
STRUCTURE NUMBER	059-3465	CHECKED BY	MRL/REG/MCB
COOMBE-BLOXDORF P.C.		11	
Engineers / Land Surveyors		OF 15 SHTS	
Springfield, Illinois			
Design Firm License No. 184-002703			