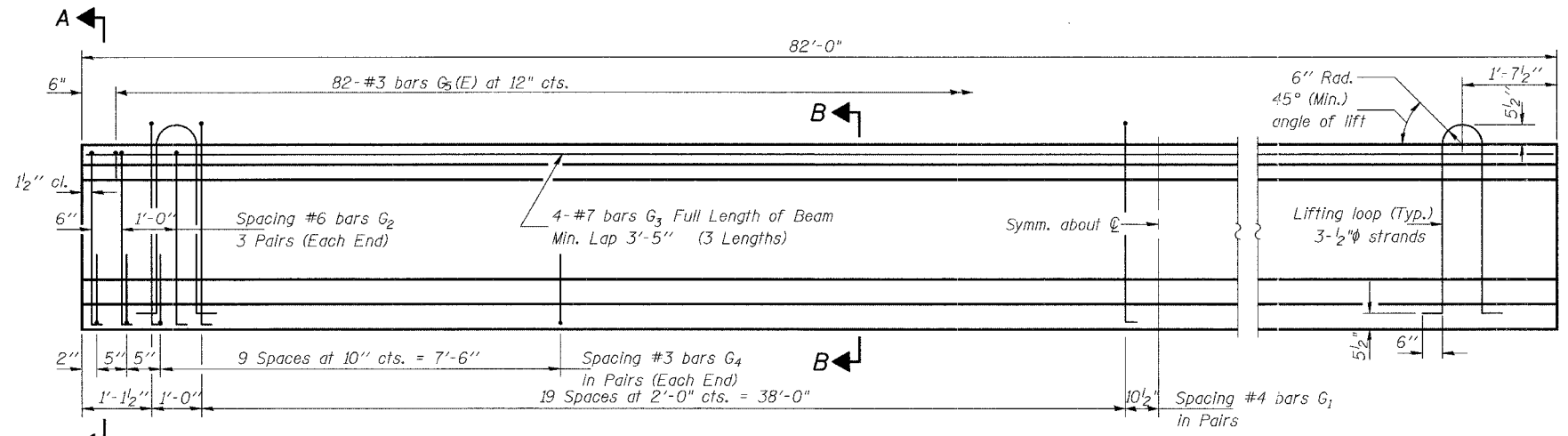


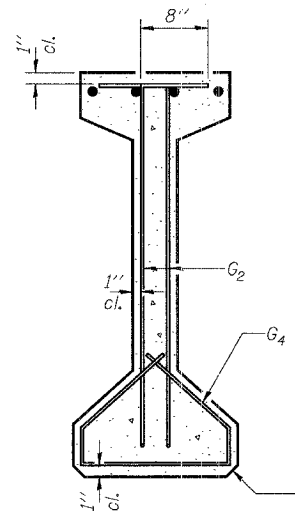
FAS RTE.	SECTION	COUNTY	TOTAL SHEETS	SHEET NO.
732		MACOUPIN	15	8

FED. ROAD DIST. NO. 1 ILLINOIS FED. AID PROJECT

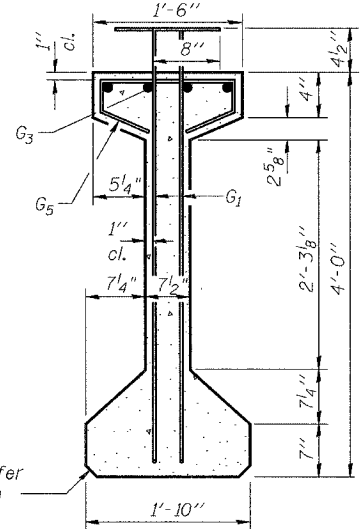
•02-00083-00-BR



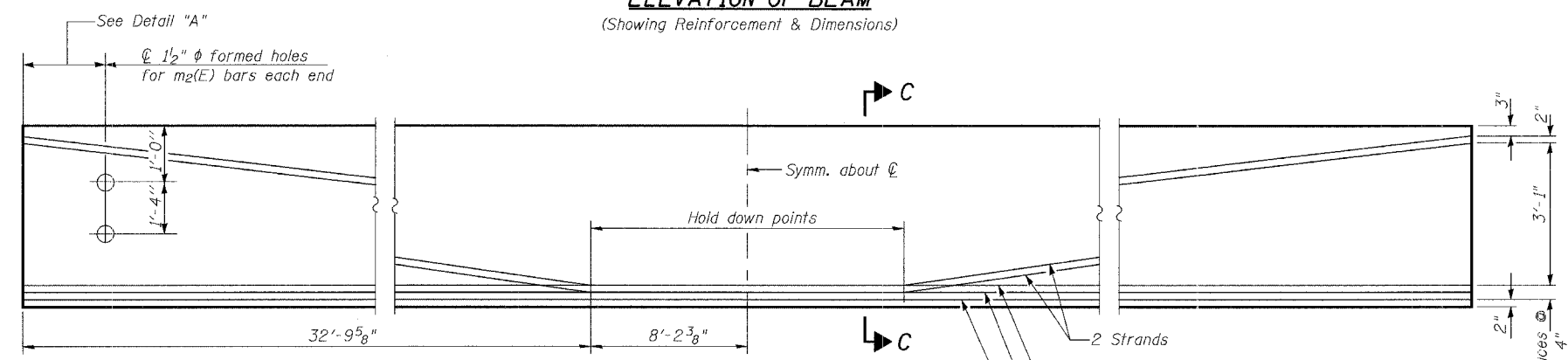
ELEVATION OF BEAM
(Showing Reinforcement & Dimensions)



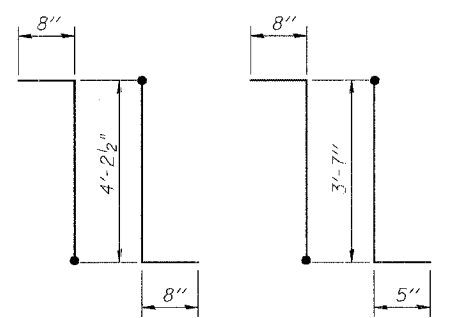
SECTION A-A



SECTION B-B

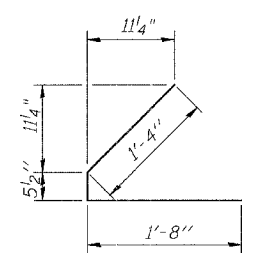


ELEVATION OF BEAM
(Showing Prestressing Steel)

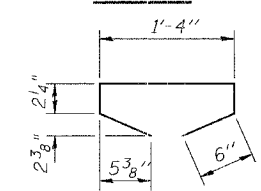


BAR G1

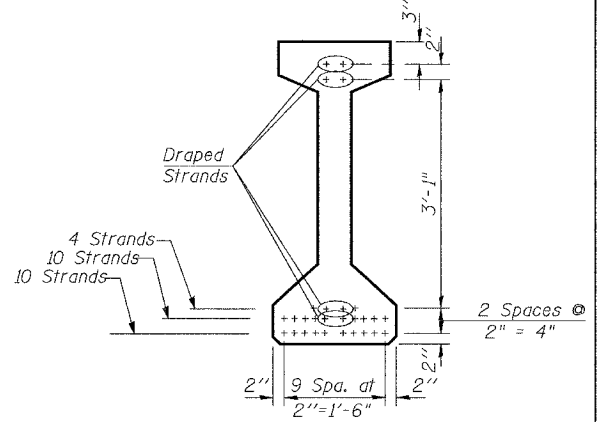
BAR G2



BAR G4



BAR G5



SECTION C-C

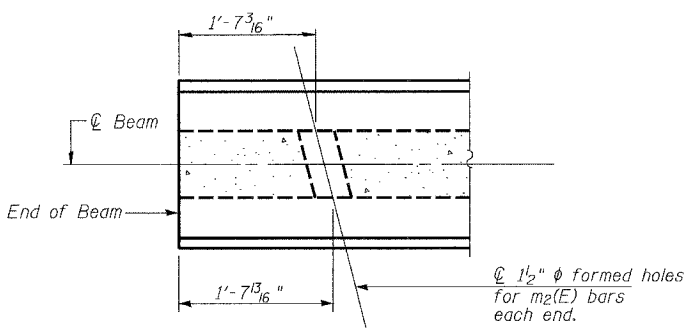
BILL OF MATERIAL

Item	Unit	Total
Furnishing and Erecting Precast Prestressed Concrete I-Beams, 48"	Ft.	492

*** BAR LIST**

Bar	No.	Size	Length	Shape
G1	84	#4	5'-6 1/2"	TL
G2	12	#6	4'-8"	TL
G3	12	#7	29'-7"	—
G4	48	#3	3'-5 1/2"	L
G5	82	#3	2'-8 1/2"	U

* For one beam only.



DETAIL "A"

NOTES

All reinforcing and Prestressing Steel and other items which are cast into the Precast Concrete I-Beams shall be included in the contract unit price per foot of "Furnishing and Erecting Precast Prestressed Concrete I-Beams, 48 in."
 Prestressing steel shall be uncoated high strength, low relaxation 7-wire strand, Grade 270.
 The nominal diameter shall be 1/2" and the nominal cross-sectional area shall be 0.153 sq. in.
 Non-prestressing steel shall conform to AASHTO designation M 31, M 42 or M 53 Grade 60.
 Lifting loops shall be 3-1/2" phi -270 ksi strands, as shown.
 Required release strength, f'ci, shall be 5000 psi.
 Reinforcement bars designated (E) shall be epoxy coated.

SHEET TITLE		PROJECT NO.
BEAM DETAILS		03016
PROJECT C.H. 12 OVER SOLOMON CREEK FAS ROUTE 732 SEC. 02-00083-00-BR MACOUPIN COUNTY STATION 9+90.00 STRUCTURE NUMBER 059-3465		DATE 2/16/04
DRAWN BY TFG		CHECKED BY MRL/REG/MCB
DRAWING NO.		8
COOMBE-BLOXDORF P.C. Engineers / Land Surveyors Springfield, Illinois Design Firm License No. 184-002703		OF 15 SHTS