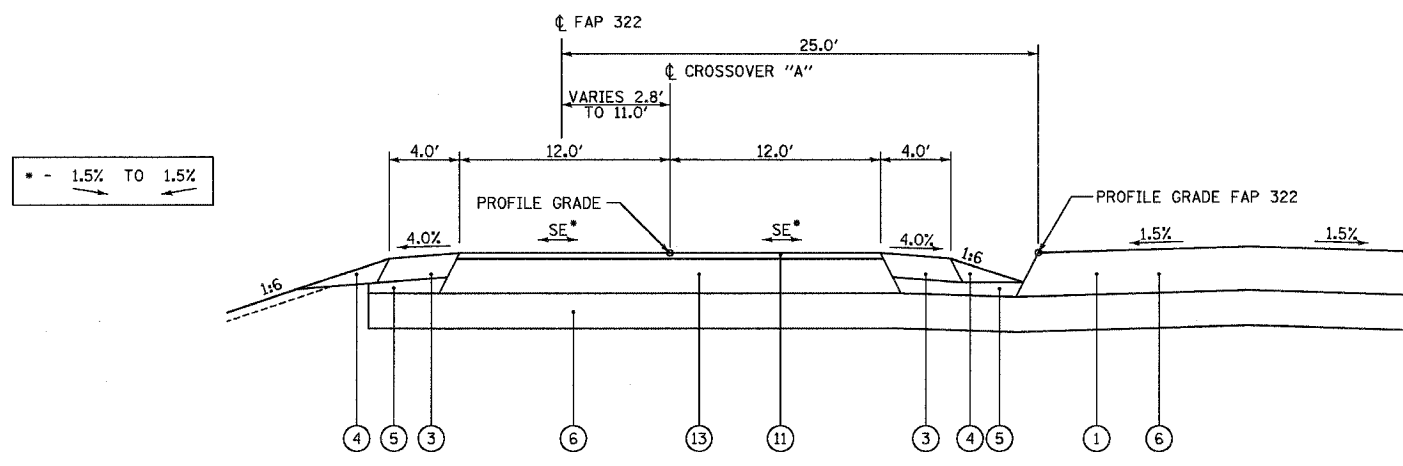
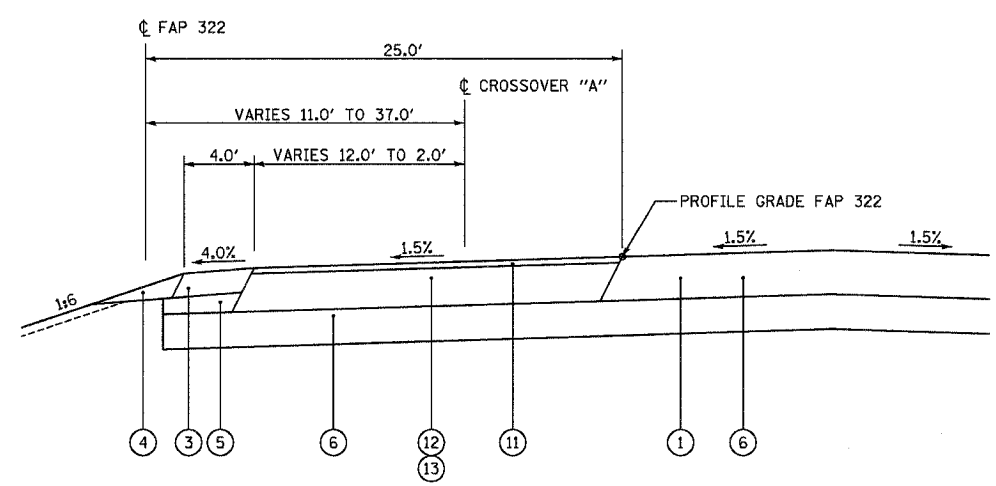


F.A.P. RTE.	SECTION	COUNTY	TOTAL SHEETS	SHEET NO.
322	11-10	CHRISTIAN	310	29
STA.		TO STA.		
FED. ROAD DIST. NO.		ILLINOIS FED. AID PROJECT		



CROSSOVER "A" TYPICAL SECTION

STA 206+31.50 TO STA 206+45
 STA 206+45 TO STA 207+25 SE TRANSITION
 STA 207+25 TO STA 207+40.19



CROSSOVER "A" TYPICAL SECTION

STA 207+40.19 TO STA 213+85.60

LEGEND

- (E1) EXISTING GROUND
- (E2) EXISTING BITUMINOUS SURFACE, 1/2"
- (E3) EXISTING BITUMINOUS SURFACE, VARIES 3" - 6"
- (E4) EXISTING 9"-6"-9" PCC CONCRETE PAVEMENT
- (E5) EXISTING PCC BASE COURSE WIDENING, 9"
- (E6) EXISTING BITUMINOUS SHOULDERS, 8"
- (E7) EXISTING AGGREGATE SHOULDERS, VARIABLE DEPTH
- (E8) EXISTING BITUMINOUS SHOULDERS, 7.87"
- (E9) EXISTING PIPE UNDERDRAINS
- (E10) EXISTING FULL DEPTH BITUMINOUS PAVEMENT, 14.76"
- (R1) REMOVE EXISTING BITUMINOUS SHOULDERS
- (R2) REMOVE EXISTING BITUMINOUS PAVEMENT, 9.8"
- (1) BITUMINOUS CONCRETE PAVEMENT (FULL-DEPTH), SUPERPAVE, 13 3/4"
 [BITUMINOUS CONCRETE BINDER COURSE, SUPERPAVE, 11 3/4"
 BITUMINOUS CONCRETE SURFACE COURSE, SUPERPAVE, MIX "D", N50, 2"]
- (2) BITUMINOUS CONCRETE PAVEMENT (FULL-DEPTH), SUPERPAVE, 9 1/4"
 [BITUMINOUS CONCRETE BINDER COURSE, SUPERPAVE, 7 1/4"
 BITUMINOUS CONCRETE SURFACE COURSE, SUPERPAVE, MIX "D", N50, 2"]
- (3g) BITUMINOUS SHOULDERS SUPERPAVE, 8"
- (3) BITUMINOUS SHOULDERS SUPERPAVE, 8" (WITH RUMBLE STRIPS, STD 642001)
- (4) AGGREGATE SHOULDERS, TYPE B
- (5) SUB-BASE GRANULAR MATERIAL, TYPE C
- (6) PROCESSING LIME MODIFIED SOILS, 12"
- (7) TOPSOIL FURNISH AND PLACE, 4"
- (8) PIPE UNDERDRAINS, 4" (STD 601001)
- (9) AGGREGATE BASE COURSE, TYPE A, 10"
- (10) BITUMINOUS SURFACE TREATMENT CLASS A-3
- (11) BITUMINOUS CONCRETE SURFACE COURSE, SUPERPAVE, MIX "D", N50, 2"
- (12) BITUMINOUS CONCRETE BASE COURSE WIDENING, SUPERPAVE, 11 3/4" (WHEN WIDTH < 6')
- (13) BITUMINOUS BASE COURSE SUPERPAVE, 11 3/4" (WHEN WIDTH >= 6')
- (14) AGGREGATE SHOULDERS, TYPE B (WEDGE)
- (15) BITUMINOUS SURFACE REMOVAL, 2"
- (16) AGGREGATE BASE COURSE, TYPE A, 8"
- (17) AGGREGATE SURFACE COURSE, TYPE A, 6"
- (18) BITUMINOUS CONCRETE BASE COURSE WIDENING, SUPERPAVE, 8 1/2" (WHEN WIDTH < 6')
- (19) BITUMINOUS BASE COURSE SUPERPAVE, 8 1/2" (WHEN WIDTH >= 6')
- (20) BITUMINOUS SHOULDERS SUPERPAVE, 2" (WITH RUMBLE STRIPS, STD 642001)
- (21) AGGREGATE BASE COURSE, TYPE A, 12"

REVISIONS	
NAME	DATE

ILLINOIS DEPARTMENT OF TRANSPORTATION
 TYPICAL SECTIONS
 SHEET 5 OF 7
 FAP 322 (US 51)
 SECTION 11-1
 CHRISTIAN COUNTY

SCALE: NONE
 DATE: 3/17/05
 DRAWN BY: SEB
 CHECKED BY: EBB

3/29/2005

\\pblf1\lan\018323\proj\1101\sec\11-1\typsec\11-1.dwg