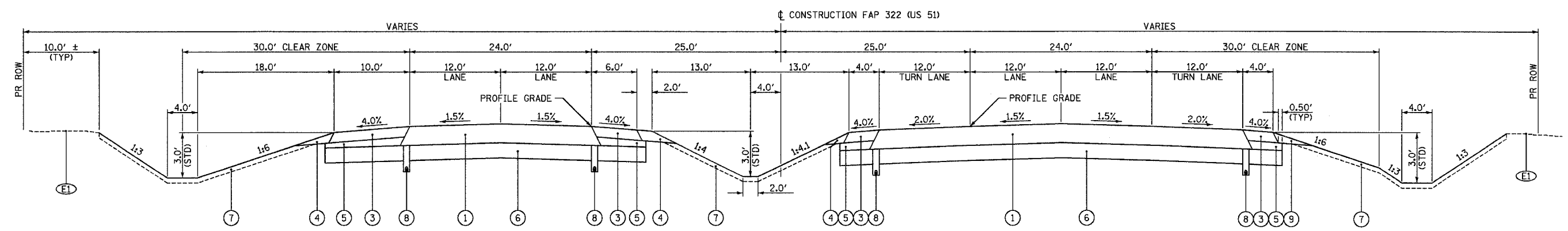


F.A.P. RTE.	SECTION	COUNTY	TOTAL SHEETS	SHEET NO.
322	11-10	CHRISTIAN	310	27
STA.	TO STA.			
FED. ROAD DIST. NO.	ILLINOIS	FED. AID PROJECT		



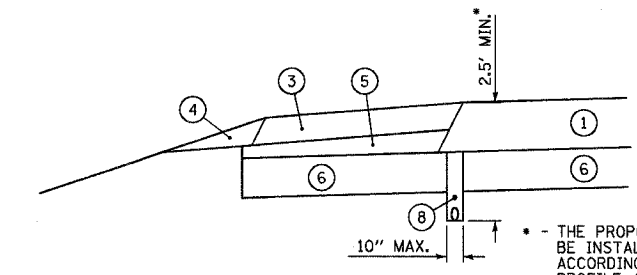
FAP 322 (US 51) TYPICAL SECTION WITH RT AND LT TURN LANES

FAP 322 (US 51)

STRUCTURAL DESIGN TRAFFIC:	Year: 2015
PV = 5248	SU = 190 MU = 512
ROAD/STREET CLASSIFICATION:	Class: 1
PERCENT OF STRUCTURAL DESIGN TRAFFIC IN DESIGN LANE:	
P = 32%	S = 45% M = 45%
TRAFFIC FACTOR: Actual TF = 4.27	AC Type = 20
	Minimum TF = 2.45
SUBGRADE SUPPORT RATING:	
SSR = POOR	

SIDE ROADS

STRUCTURAL DESIGN TRAFFIC:	Year: 2015
PV = 2280	SU = 72 MU = 48
ROAD/STREET CLASSIFICATION:	Class: 2
PERCENT OF STRUCTURAL DESIGN TRAFFIC IN DESIGN LANE:	
P = 32%	S = 45% M = 45%
TRAFFIC FACTOR: Actual TF = 0.50	AC Type = 20
	Minimum TF = 0.24
SUBGRADE SUPPORT RATING:	
SSR = POOR	



PIPE UNDERDRAIN DETAIL

THE PROPOSED UNDERDRAINS SHALL NOT BE INSTALLED AT A STANDARD DEPTH, BUT ACCORDING TO THE PROPOSED UNDERDRAIN PROFILE AS SHOWN IN THE SCHEDULE OF QUANTITIES.

LEGEND

(E1) EXISTING GROUND	(1) BITUMINOUS CONCRETE PAVEMENT (FULL-DEPTH), SUPERPAVE, 13 3/4" [BITUMINOUS CONCRETE BINDER COURSE, SUPERPAVE, 11 3/4" BITUMINOUS CONCRETE SURFACE COURSE, SUPERPAVE, MIX "D", N50, 2"]	(9) AGGREGATE BASE COURSE, TYPE A, 10"
(E2) EXISTING BITUMINOUS SURFACE, 1 1/2"	(2) BITUMINOUS CONCRETE PAVEMENT (FULL-DEPTH), SUPERPAVE, 9 1/4" [BITUMINOUS CONCRETE BINDER COURSE, SUPERPAVE, 7 1/4" BITUMINOUS CONCRETE SURFACE COURSE, SUPERPAVE, MIX "D", N50, 2"]	(10) BITUMINOUS SURFACE TREATMENT CLASS A-3
(E3) EXISTING BITUMINOUS SURFACE, VARIES 3" - 6"	(3a) BITUMINOUS SHOULDERS SUPERPAVE, 8"	(11) BITUMINOUS CONCRETE SURFACE COURSE, SUPERPAVE, MIX "D", N50, 2"
(E4) EXISTING 9"-6"-9" PCC CONCRETE PAVEMENT	(3) BITUMINOUS SHOULDERS SUPERPAVE, 8" (WITH RUMBLE STRIPS, STD 642001)	(12) BITUMINOUS CONCRETE BASE COURSE WIDENING, SUPERPAVE, 11 3/4" (WHEN WIDTH < 6')
(E5) EXISTING PCC BASE COURSE WIDENING, 9"	(4) AGGREGATE SHOULDERS, TYPE B	(13) BITUMINOUS BASE COURSE SUPERPAVE, 11 3/4" (WHEN WIDTH >= 6')
(E6) EXISTING BITUMINOUS SHOULDERS, 8"	(5) SUB-BASE GRANULAR MATERIAL, TYPE C	(14) AGGREGATE SHOULDERS, TYPE B (WEDGE)
(E7) EXISTING AGGREGATE SHOULDERS, VARIABLE DEPTH	(6) PROCESSING LIME MODIFIED SOILS, 12"	(15) BITUMINOUS SURFACE REMOVAL, 2"
(E8) EXISTING BITUMINOUS SHOULDERS, 7.87"	(7) TOPSOIL FURNISH AND PLACE, 4"	(16) AGGREGATE BASE COURSE, TYPE A, 8"
(E9) EXISTING PIPE UNDERDRAINS	(8) PIPE UNDERDRAINS, 4" (STD 601001)	(17) AGGREGATE SURFACE COURSE, TYPE A, 6"
(E10) EXISTING FULL DEPTH BITUMINOUS PAVEMENT, 14.76"		(18) BITUMINOUS CONCRETE BASE COURSE WIDENING, SUPERPAVE, 8 1/2" (WHEN WIDTH < 6')
(R1) REMOVE EXISTING BITUMINOUS SHOULDERS		(19) BITUMINOUS BASE COURSE SUPERPAVE, 8 1/2" (WHEN WIDTH >= 6')
(R2) REMOVE EXISTING BITUMINOUS PAVEMENT, 9.8"		(20) BITUMINOUS SHOULDERS SUPERPAVE, 2" (WITH RUMBLE STRIPS, STD 642001)
		(21) AGGREGATE BASE COURSE, TYPE A, 12"

REVISIONS	
NAME	DATE

ILLINOIS DEPARTMENT OF TRANSPORTATION  
 TYPICAL SECTIONS  
 SHEET 3 OF 7  
 FAP 322 (US 51)  
 SECTION 11-1  
 CHRISTIAN COUNTY

SCALE: NONE  
 DATE: 3/17/05  
 DRAWN BY: SEB  
 CHECKED BY: EBB