

ROUTE NO.	SECTION	COUNTY	TOTAL SHEETS	SHEET NO.
TR 128	99-05117-00-BR	SHELBY	15	14
FED. ROAD DIST. NO. 7	ILLINOIS PROJECT		SHEET 5 OF 6	

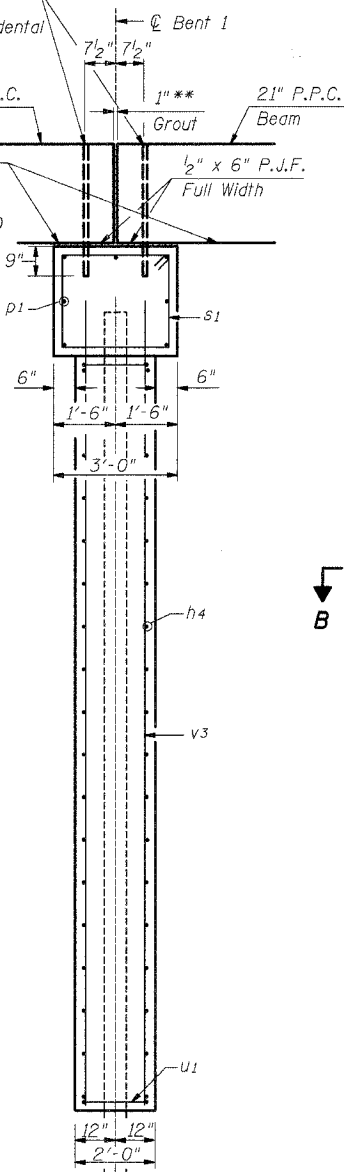
NOTE:
All Edges shall have Standard 3/4" Chamfer except as Noted.

** 1" Joint shall be packed with a non shrink grout.
1" Dimension may Vary plus or Minus to accommodate Tolerance in Beam Lengths.

*** Dowel Rods to be grouted after beams are in place and allowed to cure (Min. 24 hours) prior to grouting Shear Keys.

*** 3/4" φ x 1'-6" Dowel Rods in 1/4" φ holes drilled in Cap (2 Each Beam) Cost Incidental to Concrete Structures.

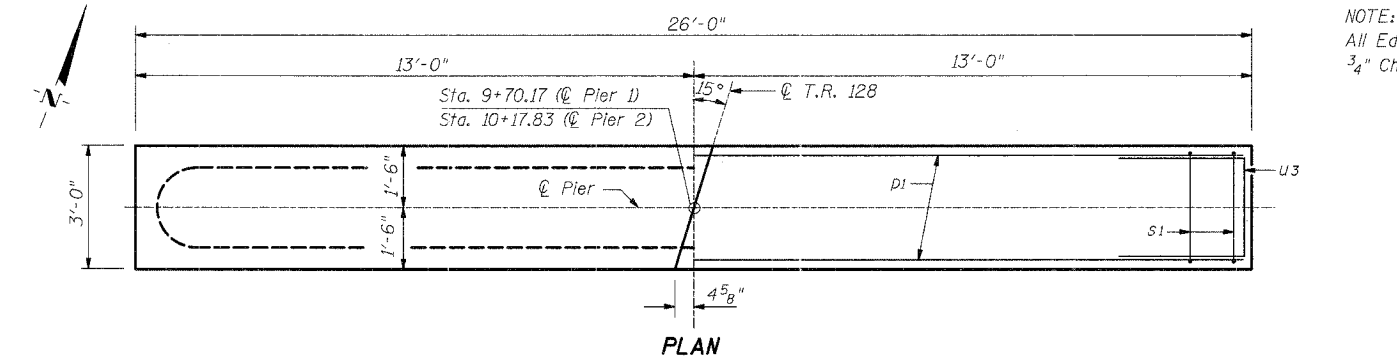
1 - 9" x 1/2" x 2'-1" (Interior Fabric Brg. Pad) or 1 - 9" x 1/2" x 1'-0 1/2" (Exterior Fabric Brg. Pad)



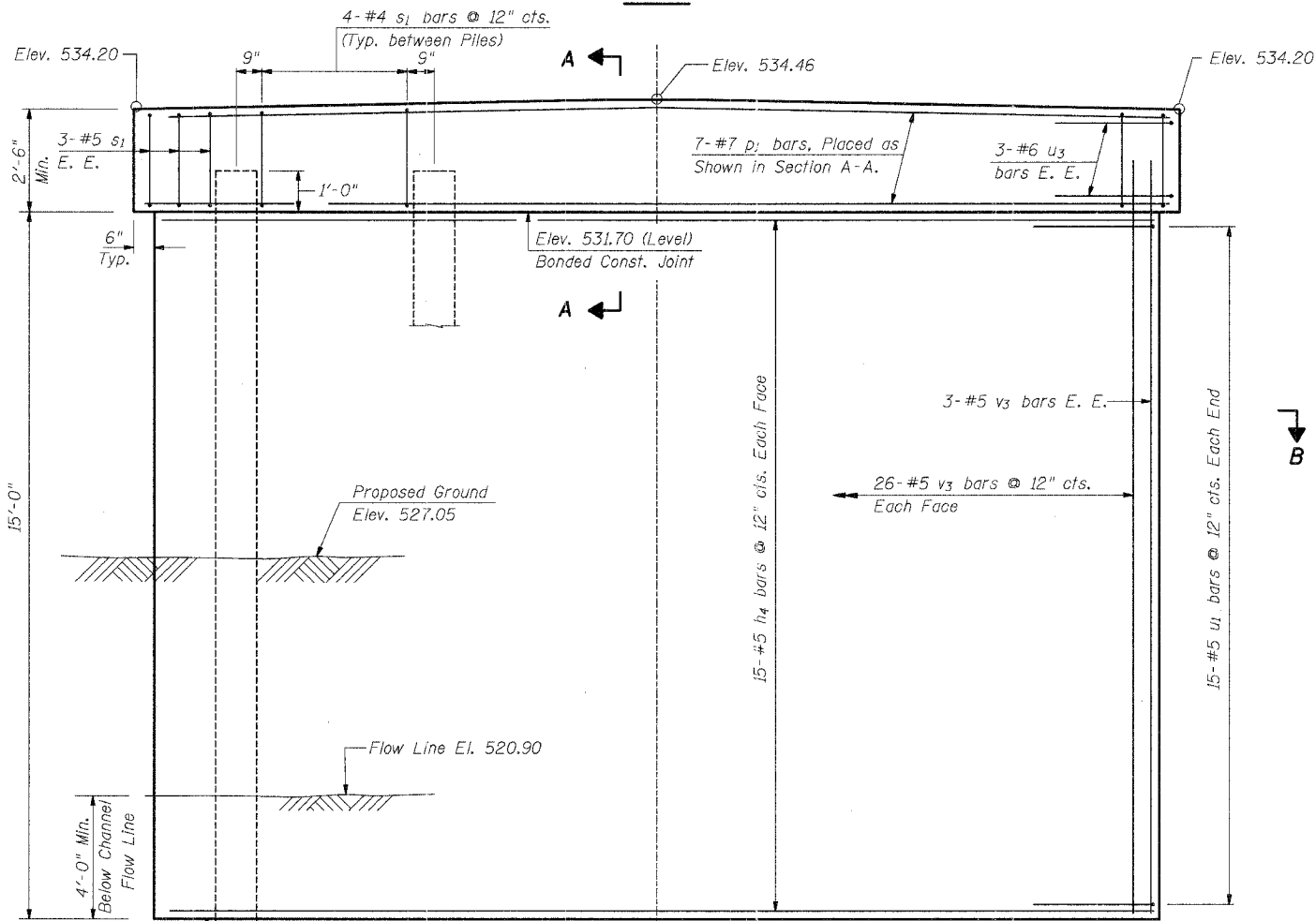
END VIEW

PILE DATA

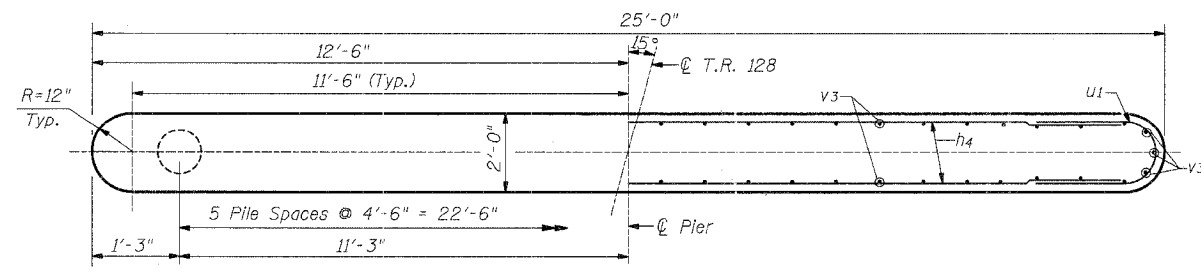
- Type = Metal Pile Shell, 12"
- Capacity = 40 Ton
- Estimated Length = 35 Ft.
- Number Req'd. = 12 (Including 2 Test Pile)



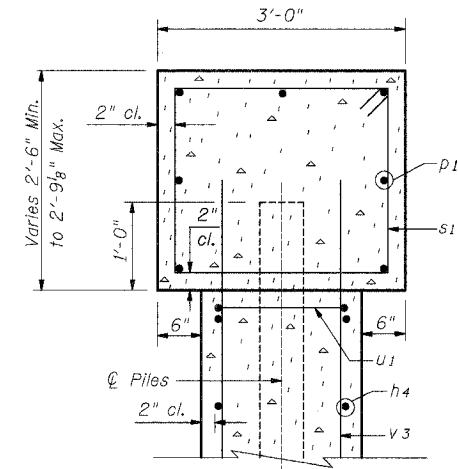
PLAN



ELEVATION



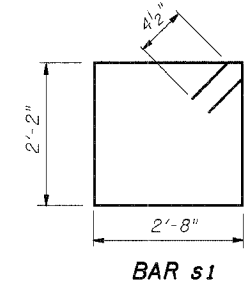
SECTION B-B



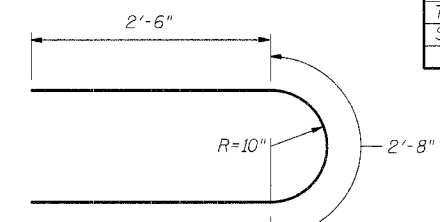
SECTION A-A

BILL OF MATERIAL
(2 Piers)

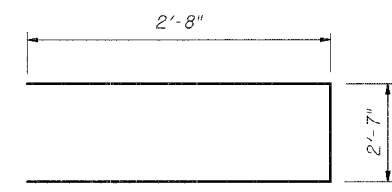
Bar	No.	Size	Length	Shape
h4	60	#5	23'-0"	—
p1	14	#7	25'-6"	—
s1	52	#4	10'-5"	□
u1	60	#5	7'-8"	U
u3	12	#6	7'-11"	U
v3	116	#5	16'-6"	—
ITEM	UNIT	QUANTITY		
Reinforcement Bars	Pound	5160		
Concrete Structures	Cu. Yd.	69.8		
Furnishing Metal Pile Shell 12"	Foot	350		
Driving & Filling Shells	Foot	350		
Test Pile Metal Shells	Each	2		
Structure Excavation	Cu. Yd.	134		



BAR s1



BAR u1



BAR u3

PIER DETAILS
T.R. 128 OVER MITCHELL CREEK
SECTION 99-05117-00-BR
SHELBY COUNTY
S.N. 087-3520
STA. 9+94.00

ie consultants

DESIGNED: G.B.M. CHECKED: D.R.B.
DRAWN: J.P.H. DATE: 10/20/04