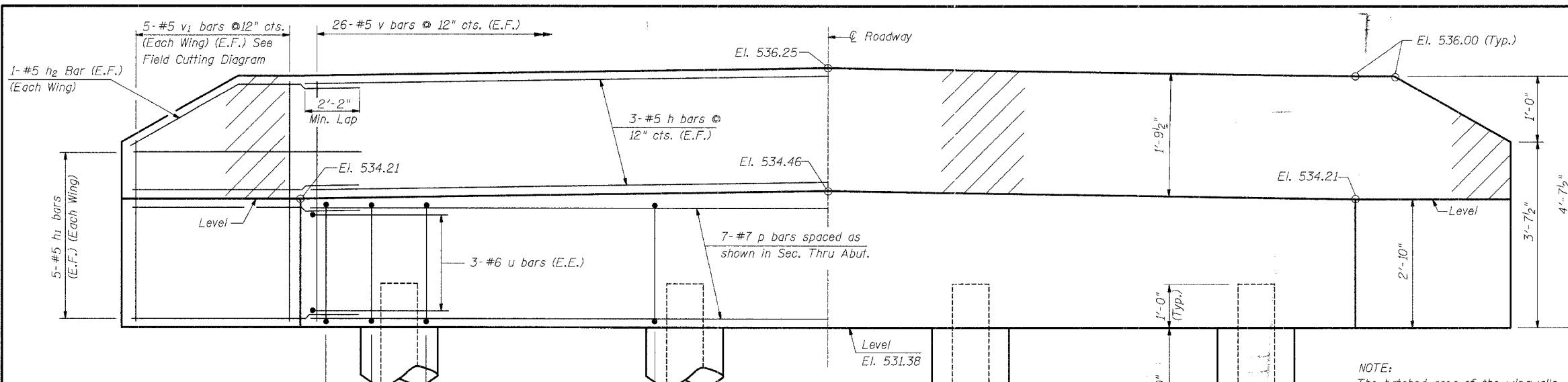
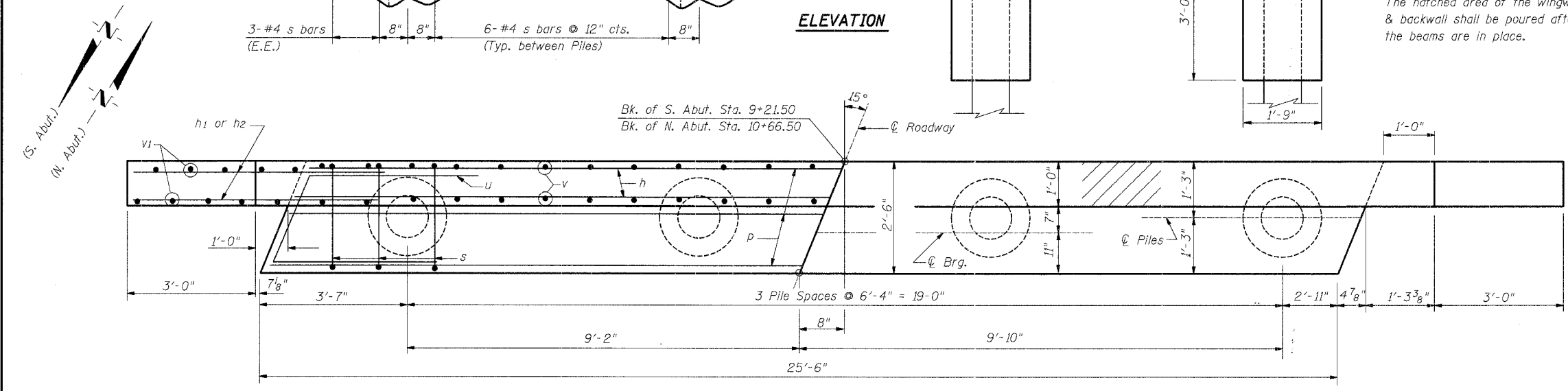


| ROUTE NO. | SECTION | COUNTY | TOTAL SHEETS | SHEET NO. |
|----------------------|----------------|------------------|--------------|-----------|
| TR 128 | 99-05117-00-BR | SHELBY | 15 | 13 |
| FED. RD. DIST. NO. 7 | | ILLINOIS PROJECT | SHEET 4 OF 6 | |

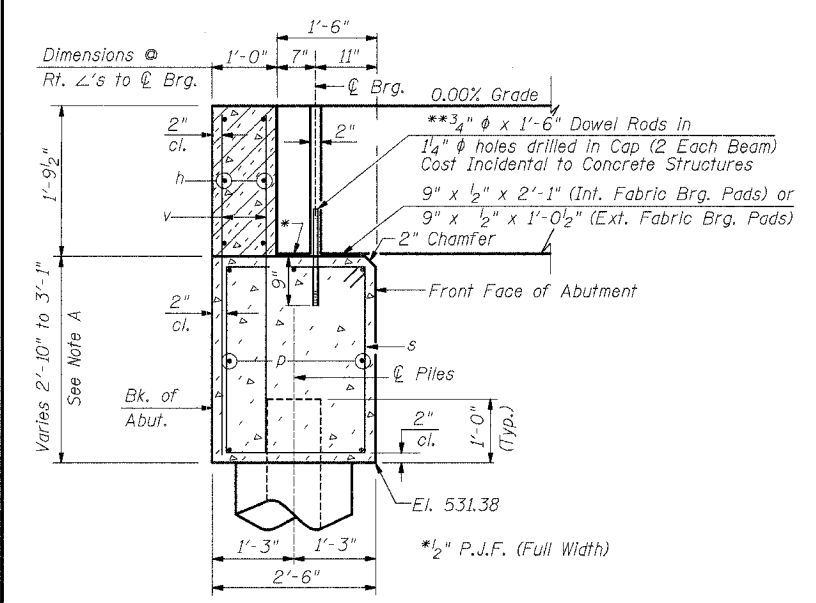


ELEVATION

NOTE:
The hatched area of the wingwalls & backwall shall be poured after the beams are in place.

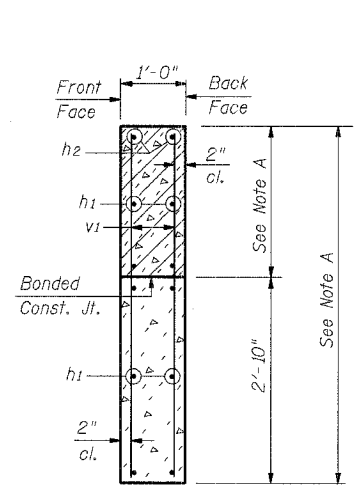


PLAN



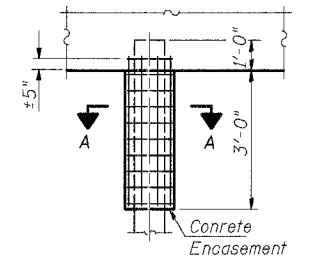
SECTION THRU ABUTMENT

** Dowel Rods to be grouted after beams are in place and prior to grouting the shear keys.

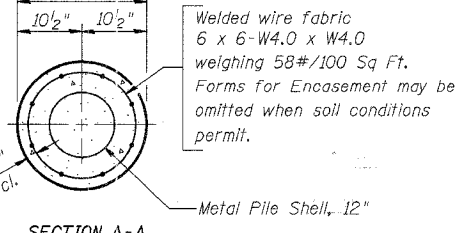


SECTION THRU WINGWALLS

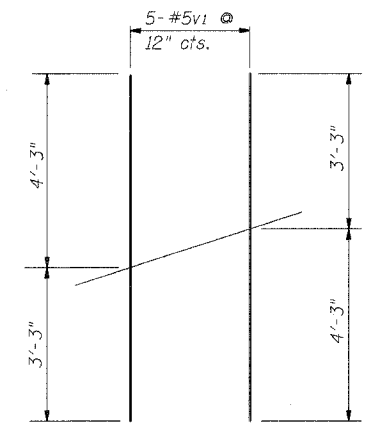
NOTE A: See Elev. given on Elev. View



SECTION A-A



PILE ENCASEMENT DETAIL



FIELD CUTTING DIAGRAM

Order v1 bars full length, cut to fit in field and place remainder in opposite face of wall.

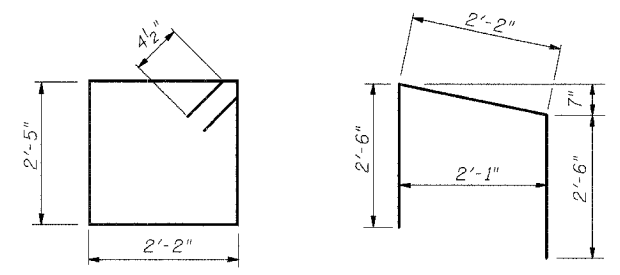
BILL OF MATERIAL
(2 Abutments)

| Bar | No. | Size | Length | Shape |
|-----|-----|------|--------|-------|
| h | 12 | #5 | 25'-2" | — |
| h1 | 40 | #5 | 6'-9" | — |
| h2 | 8 | #5 | 6'-9" | — |
| p | 14 | #7 | 25'-2" | — |
| s | 48 | #4 | 9'-11" | □ |
| u | 12 | #6 | 7'-2" | □ |
| v | 104 | #5 | 4'-3" | — |
| v1 | 20 | #5 | 7'-6" | — |

| ITEM | UNIT | QUANTITY |
|-----------------------------------|---------|----------|
| Reinforcement Bars | Pound | 2440 |
| Concrete Structures | Cu. Yd. | 20.0 |
| Furnishing Metal Pile Shells, 12" | Foot | 210 |
| Driving & Filling Shells | Foot | 210 |
| Test Pile Metal Shells | Each | 2 |
| Structure Excavation | Cu. Yd. | 20 |
| Concrete Encasement | Cu. Yd. | 2.2 |

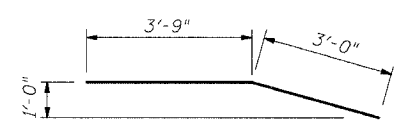
PILE DATA

Type = Metal Pile Shells, 12"
Capacity Required = 40 Ton
Estimated Length = 35' (North Abut.), 35' (South Abut.)
Number Req'd. = 8 (Including 1 Test Pile @ Each Abut.)



BAR s

BAR u



BAR h2

ABUTMENT DETAILS
T.R. 128 OVER MITCHELL CREEK
SEC. 99-05117-00-BR
SHELBY COUNTY
S.N. 087-3520
STA. 9+94.00

ie consultants

DESIGNED: G.B.M. CHECKED: D.R.B.
DRAWN: J.P.H. DATE: 10/20/04