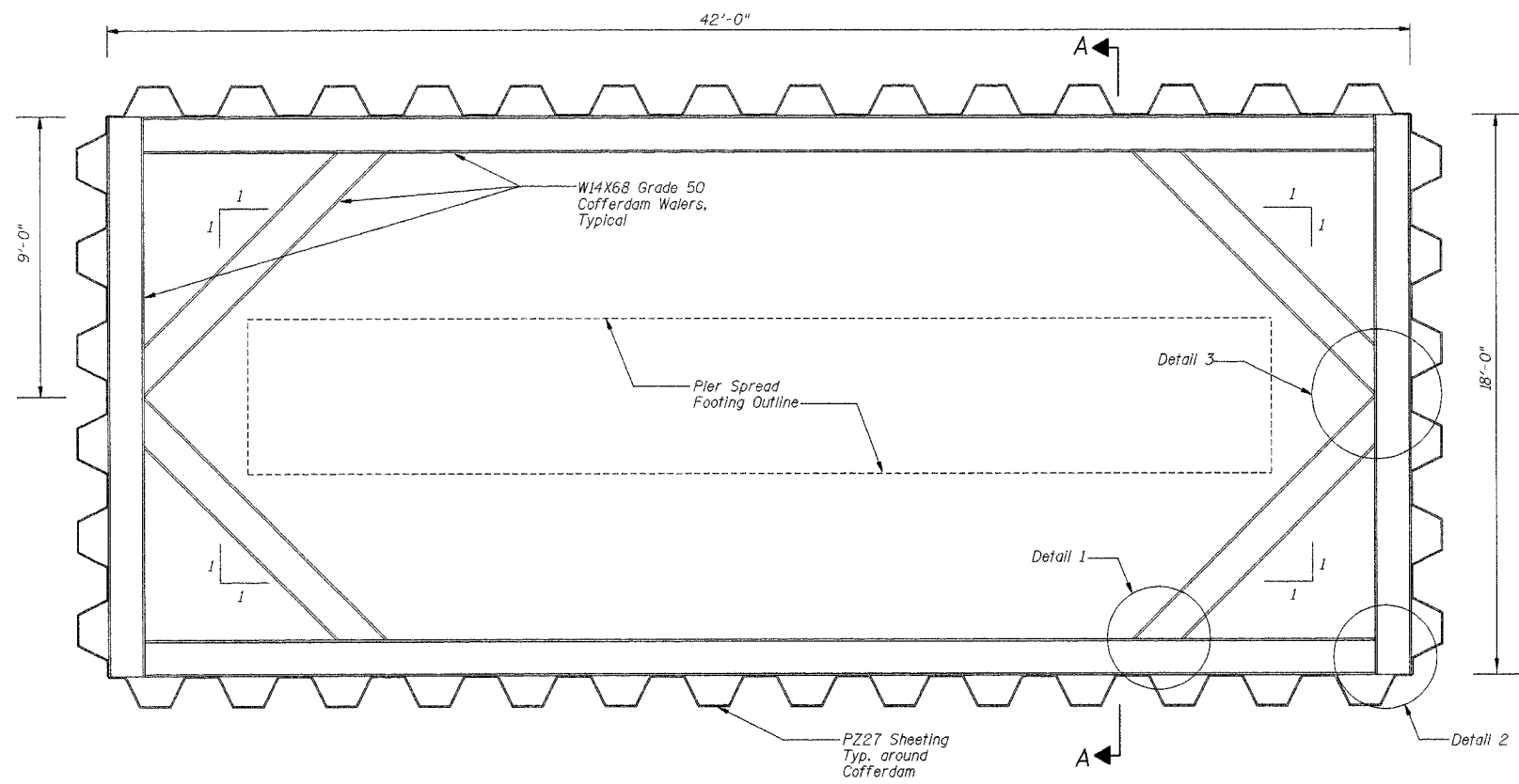
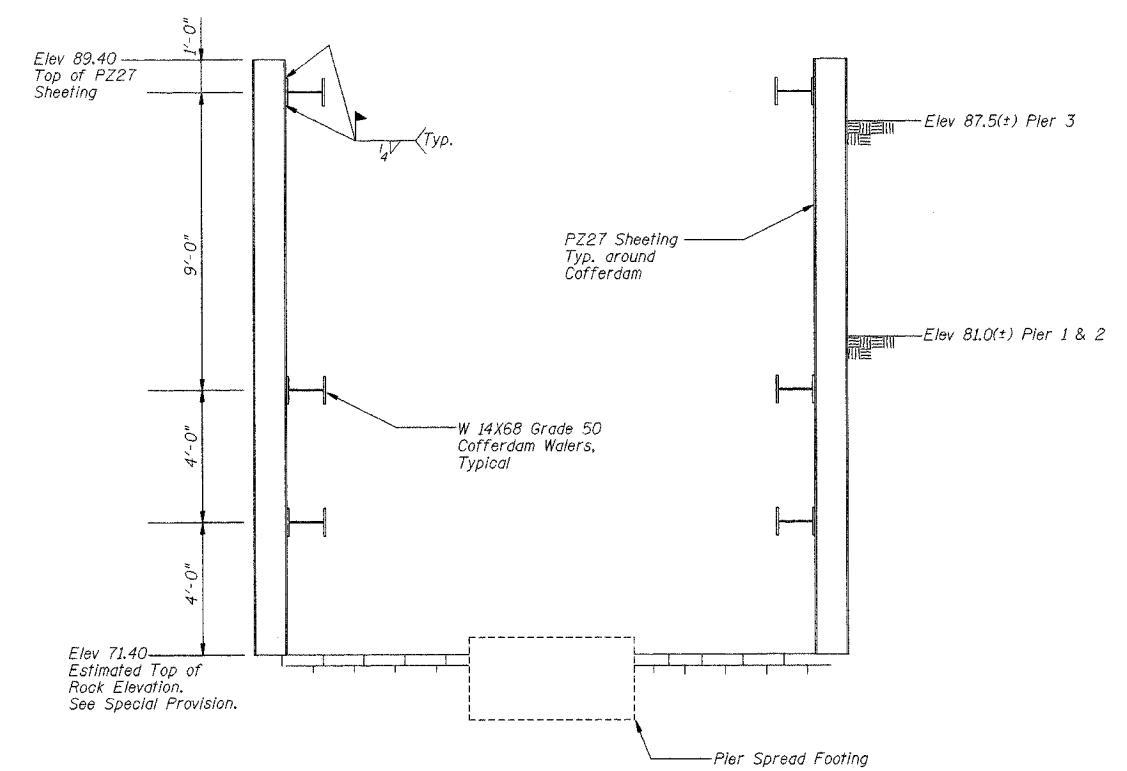


ROUTE NO.	SECTION	COUNTY	TOTAL SHEETS	SHEET NO.
TR 38	*	Vermilion	18	9
FED. ROAD DIST. NO. 7		ILLINOIS	FED. AID PROJECT-	

91306 \*00-19134-00-BR



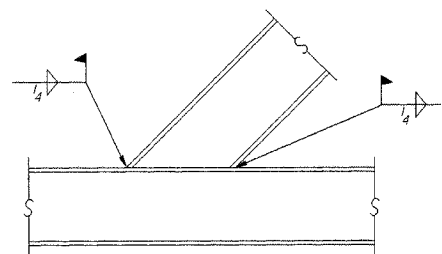
PLAN



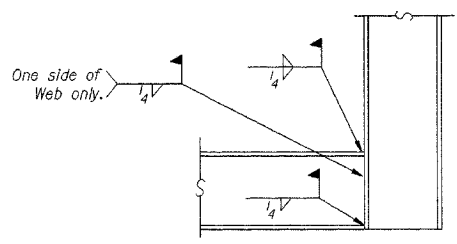
SECTION A

Notes:

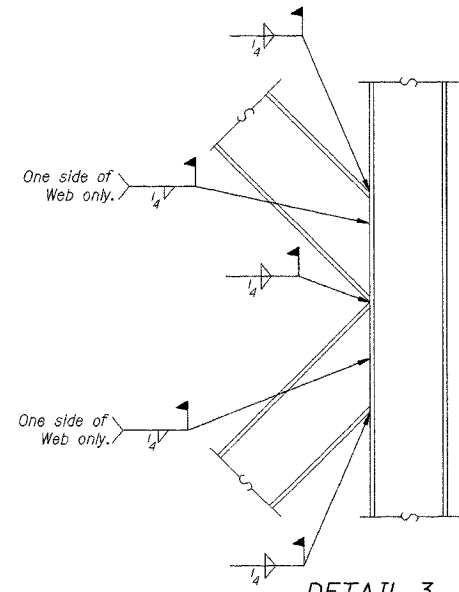
The cofferdams are designed for flood protection to Elevation 89.40. The 15 YR Flood Elevation is 98.78. The actual height of the cofferdam above the streambed elevation or above existing grade is at the Contractors option. Regardless of the height chosen by the Contractor, 3 rows of waters are required.



DETAIL 1



DETAIL 2



DETAIL 3

DSGN	J.R. Wolf				
DR	J.R. Wolf				
CHK	K.E. Brandau				
APVD	K.E. Brandau	NO.	DATE	REVISION	BY

**FRAUENHÖFFER**  
 Fraunhofer and Associates, P.C. Consulting Engineers  
 3002 Crossing Court Champaign, IL 61822 217-351-6268

**COFFERDAMS**  
 VANCE ROAD DISTRICT  
 SECTION 00-19134-00-BR  
 VERMILION COUNTY

SHEET	9
DWG NO.	van-pr.dgn
DATE	AUG 2004
PROJ NO.	2088