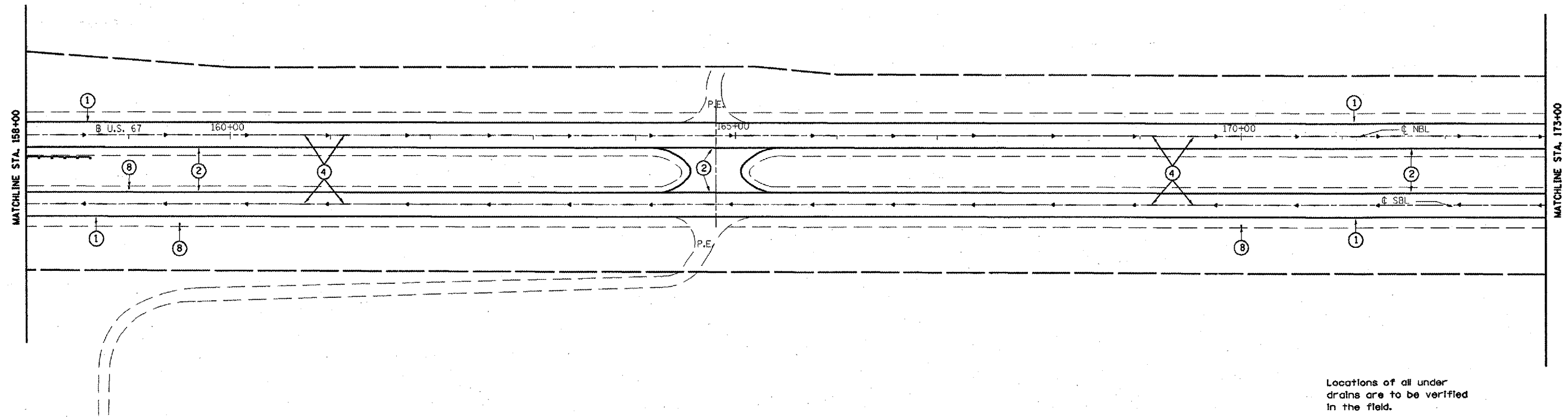


F.A.P. RTE.	SECTION	COUNTY	TOTAL SHEETS	SHEET NO.
310	(38-1) RS	MCDONOUGH	83	59
STA. 158+00		TO STA. 173+00		
FED. ROAD DIST. NO.		ILLINOIS FED. AID PROJECT		



T6N R2W 4th P.M. (MACOMB TWP.)  
SECTION 6



Locations of all under drains are to be verified in the field.

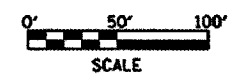
T6N R3W 4th P.M. (EMMET TWP.)  
SECTION 1

PROPOSED PAVEMENT MARKING LEGEND

- ① 4" SOLID WHITE EPOXY
- ② 4" SOLID YELLOW EPOXY
- ③ 4" SKIP-DASH YELLOW EPOXY
- ④ 6" SKIP-DASH WHITE PREFORMED PLASTIC
- ⑤ 8" SOLID YELLOW EPOXY
- ⑥ 8" SOLID WHITE EPOXY
- ⑦ 12" SOLID YELLOW EPOXY
- ⑧ 15.6 SQ FT WHITE EPOXY
- ⑨ 12" SOLID WHITE EPOXY

RAISED PAVEMENT MARKERS

- ◆ AMBER 2-WAY
- ◀ AMBER 1-WAY
- ◁ CRYSTAL 1-WAY



REVISIONS		ILLINOIS DEPARTMENT OF TRANSPORTATION
NAME	DATE	
		PAVEMENT MARKING STA. 158+00 TO 173+00

SCALE: VERT. 1" = 50'  
HORIZ. 1" = 50'  
DATE \*\*DATE\*\*

DRAWN BY CADD  
CHECKED BY