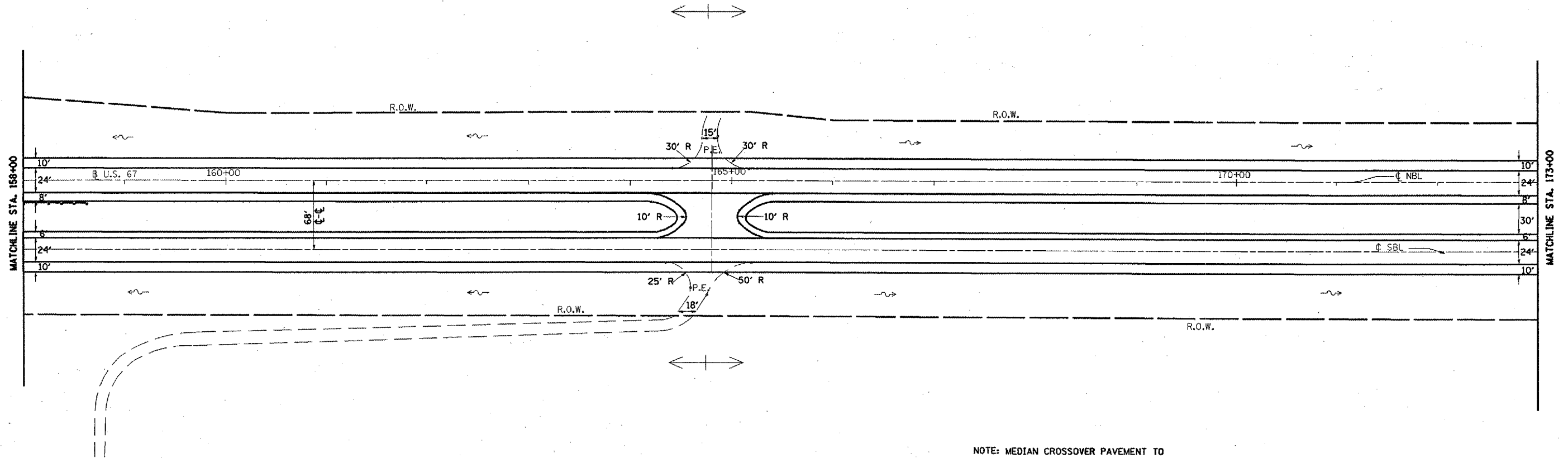


F.A.P. RTE.	SECTION	COUNTY	TOTAL SHEETS	SHEET NO.
310	(38-1) RS	MCDONOUGH	83	45
STA. 158+00 TO STA. 173+00				
FED. ROAD DIST. NO.		ILLINOIS FED. AID PROJECT		

T6N R2W 4th P.M. (MACOMB TWP.)  
SECTION 6



NOTE: MEDIAN CROSSOVER PAVEMENT TO BE TREATED THE SAME AS THE SHOULDER PAVEMENT.

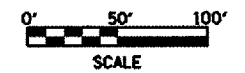
T6N R3W 4th P.M. (EMMET TWP.)  
SECTION 1

EXISTING LEGEND

- CONCRETE REVETMENT MAT
- R.O.W. MARKER
- SUMMIT
- EXIST. DITCH CHECK
- PAVED DITCH
- EXIST. GUARDRAIL

PROPOSED LEGEND

- GUARDRAIL
- DITCH CHECK
- END SECTION REPLACEMENT
- PIPE CULVERT REPLACEMENT
- DITCH GRADING
- INLET PROTECTION
- RIPRAP A-5
- AGGREGATE DITCH



REVISIONS	
NAME	DATE

ILLINOIS DEPARTMENT OF TRANSPORTATION  
PROPOSED PLAN SHEET  
STA. 158+00 TO 173+00

SCALE: VERT. 1" = 50'  
HORIZ. 1" = 100'  
DATE \*\*DATE\*\*  
DRAWN BY CADD  
CHECKED BY