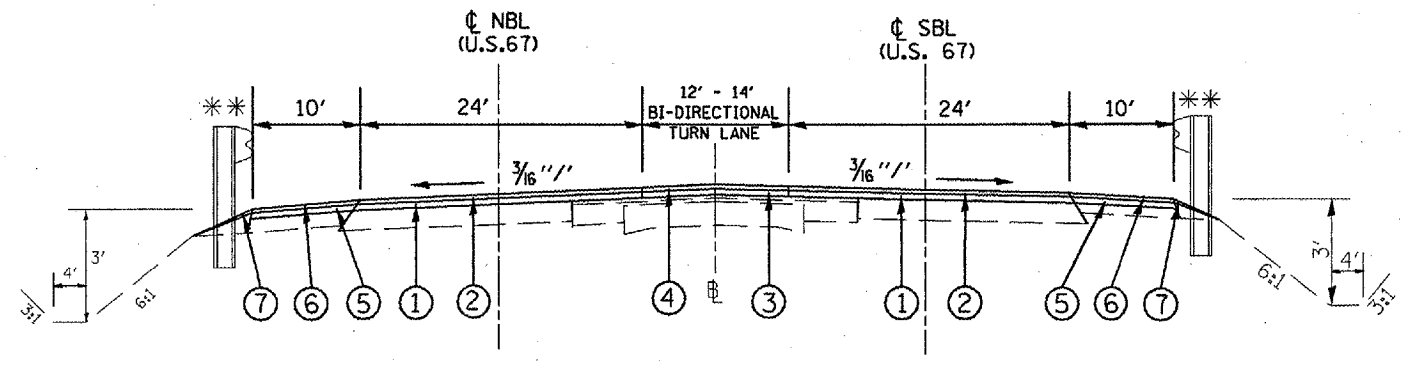


F.A.P. RTE.	SECTION	COUNTY	TOTAL SHEETS	SHEET NO.
310	638-1RS	MCDONOUGH	83	13
STA.		TO STA.		
FED. ROAD DIST. NO.		ILLINOIS FED. AID PROJECT		

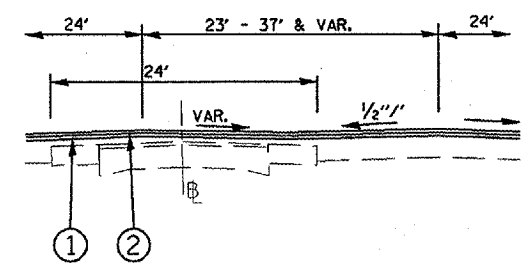


STA. 106+24.32 (NB) TO STA. 109+90
 STA. 106+19.68 (SB) TO STA. 109+90

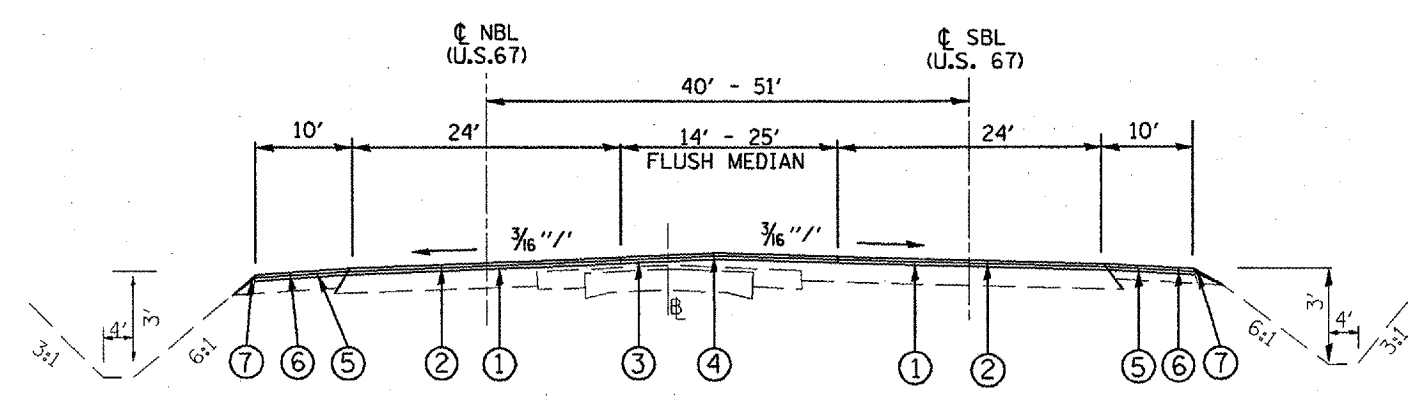
** SEE PROP. PLAN SHEETS FOR GUARDRAIL LIMITS

LEGEND

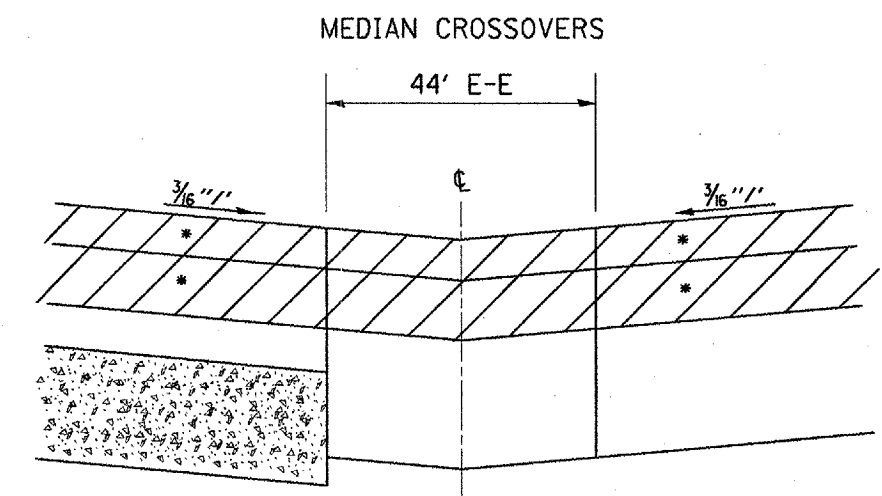
- ① POLYMERIZED BIT CONC BINDER CSE, SUPERPAVE, IL-19.0, N50, 2.5"
- ② POLYMERIZED BIT CONC SURFACE CSE, SUPERPAVE, MIX D, N50, 2"
- ③ BIT CONC BINDER CSE, SUPERPAVE, IL-19.0, N50, 2.5"
- ④ BIT CONC SURFACE CSE, SUPERPAVE, MIX D, N50, 2"
- ⑤ BIT CONC BINDER CSE, SUPERPAVE, IL-19.0 L (LE), 2.5"
- ⑥ BIT CONC SURFACE CSE, SUPERPAVE, IL-9.5 L (LE), 2"
- ⑦ AGGREGATE SHOULDERS, TYPE B



STA. 113+00 TO 117+58



STA. 109+90 TO STA. 113+00



SECTION A-A

* SEE PLAN SHEETS FOR MEDIAN CROSSOVER TREATMENT

REVISIONS	
NAME	DATE

ILLINOIS DEPARTMENT OF TRANSPORTATION
**PROPOSED
 TYPICAL SECTIONS
 U.S. ROUTE 67**
 SCALE: VERT. NOT TO SCALE HORIZ. DRAWN BY CADD
 DATE 04/27/00 CHECKED BY