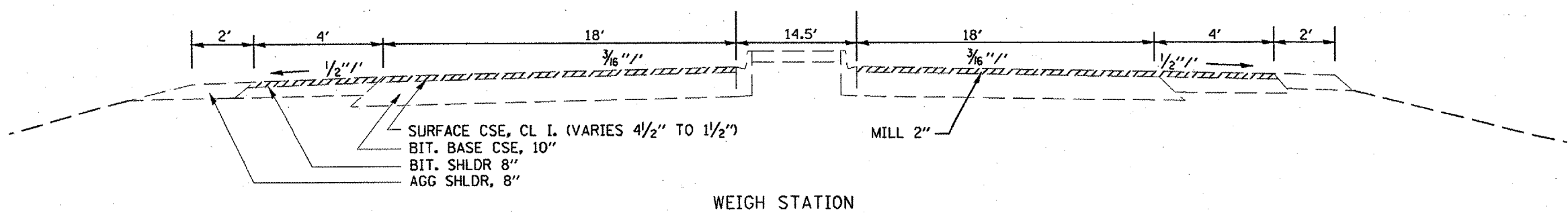
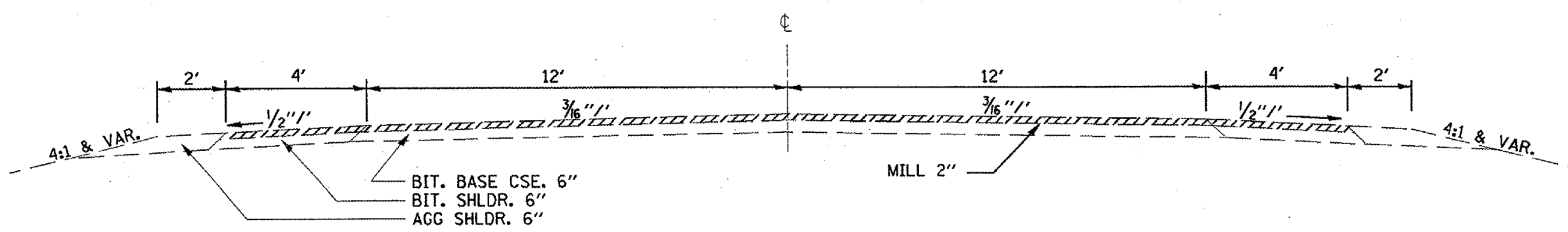
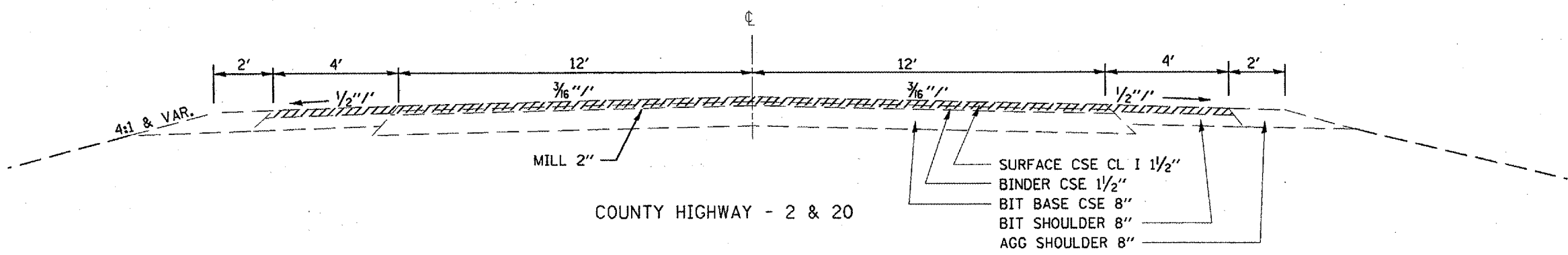
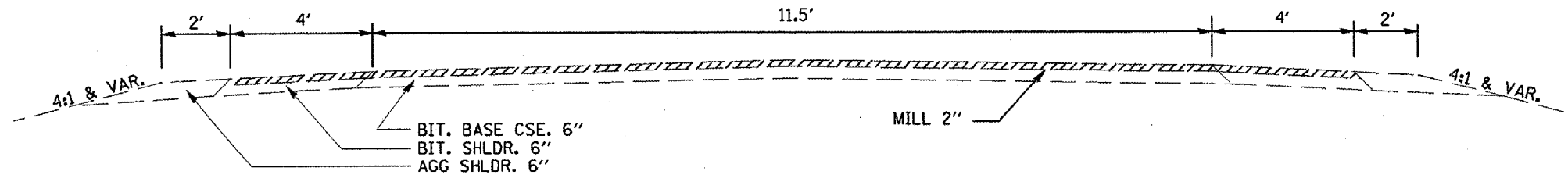


F.A.P. RTE.	SECTION	COUNTY	TOTAL SHEETS	SHEET NO.
310	138-1RS	McDONOUGH	83	12
STA.		TO STA.		
FED. ROAD DIST. NO.		ILLINOIS FED. AID PROJECT		



REVISIONS	
NAME	DATE

ILLINOIS DEPARTMENT OF TRANSPORTATION

EXISTING
TYPICAL SECTIONS
SIDE ROADS

SCALE: VERT. NOT TO SCALE
HORIZ. DATE #DATE# DRAWN BY CADD
CHECKED BY