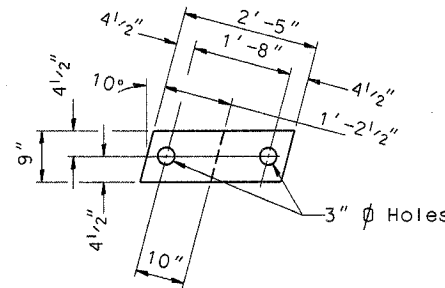
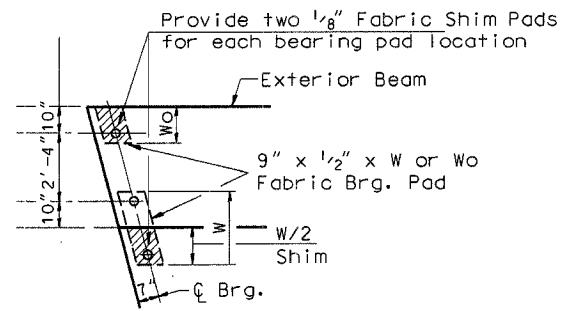
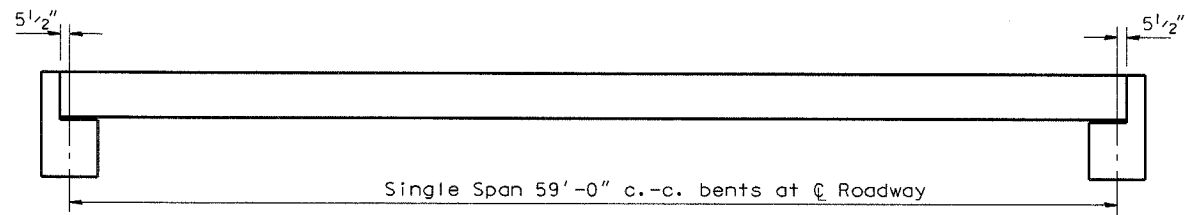


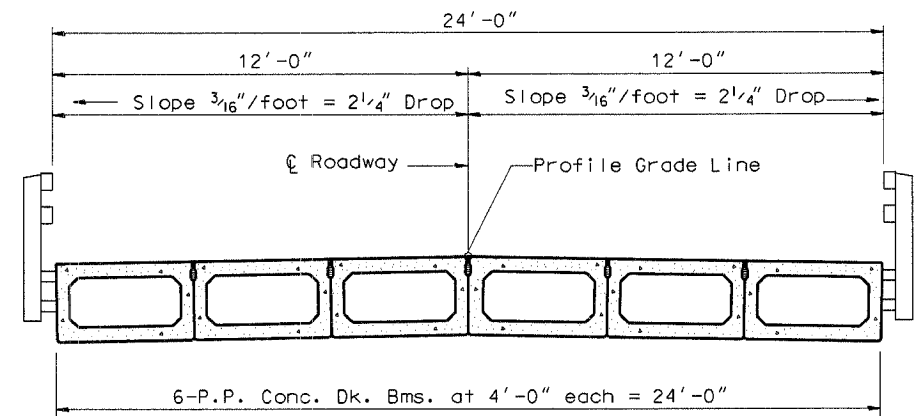
TR RTE	ROAD DISTRICT	COUNTY	TOTAL SHEETS	SHEET NO.
TR 116	OSCO	HENRY	11	6
SECTION: 04-18125-00-BR				



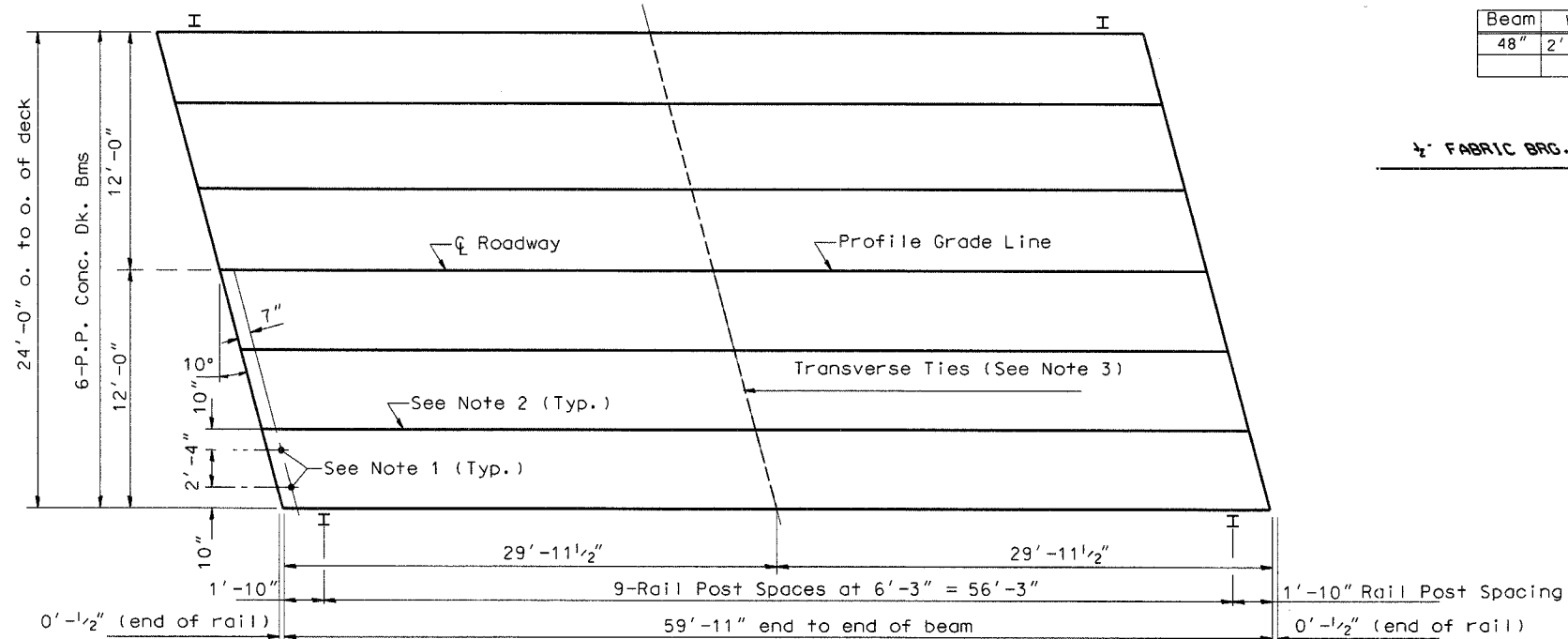
Beam	W	W0
48"	2'-5"	1'-2 1/2"

1/2" FABRIC BRG. PAD DETAILS

CROSS SECTION



TYPICAL ELEVATIONS

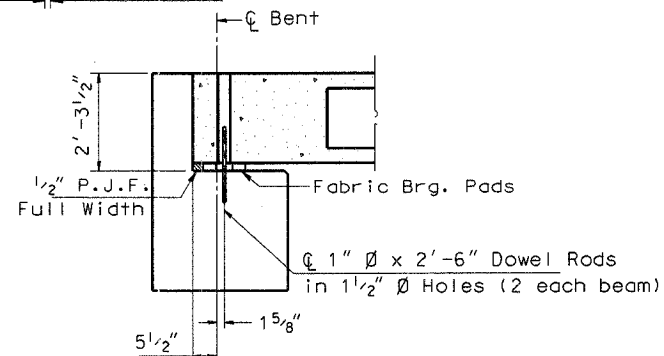


PLAN

(10° = Designated Skew Angle)

NOTES

- After beams have been erected, holes shall be drilled into substructure and anchor dowels placed. Dowel holes shall be filled with non-shrink grout to top of beam and allowed to cure min. 24 hrs. prior to grouting the shear keys.
- Longitudinal keys shall be grouted.
- The 1" C rods in the transverse tie assembly shall be tightened to a snug fit and the threads set. Pockets that receive transverse tie bar outside shall be filled with grout after transverse tie assembly is in place.



SECTION AT ABUTS.

(Along ϕ Beams)

QUANTITIES FOR ONE SPAN

P.P. Conc. Dk. Bm. 27" Dp.	1438 Sq. Ft.
Steel Railing	120 Ft.

P.P.C. DECK BEAM

SUPERSTRUCTURE

24' ROWY.	27' BMS.	60' SPAN	RIGHT
-----------	----------	----------	-------