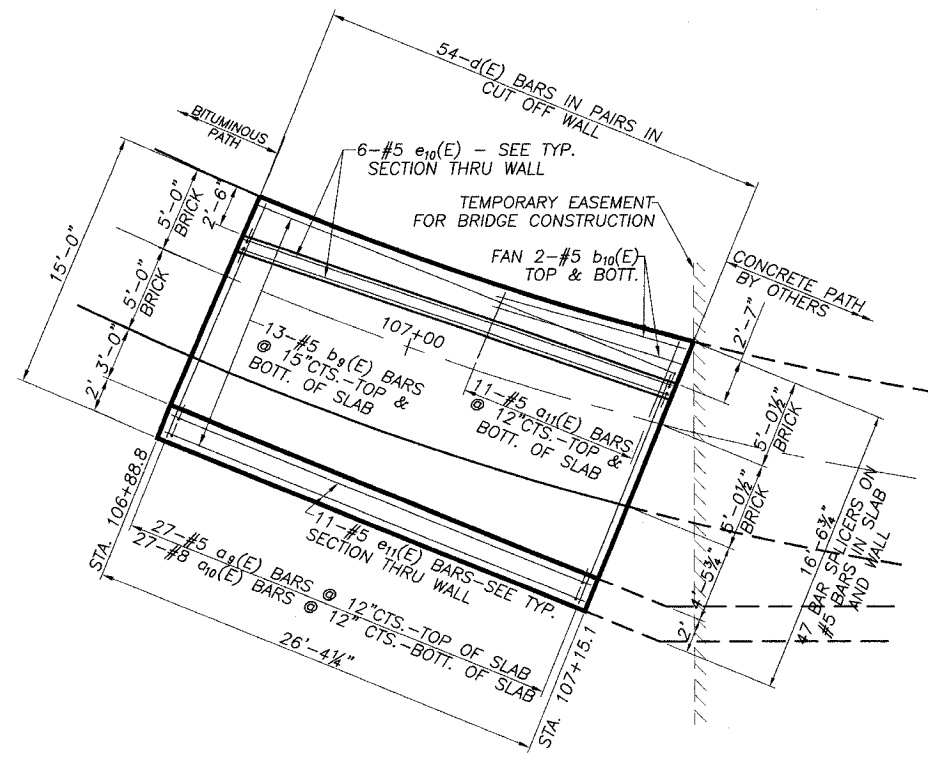
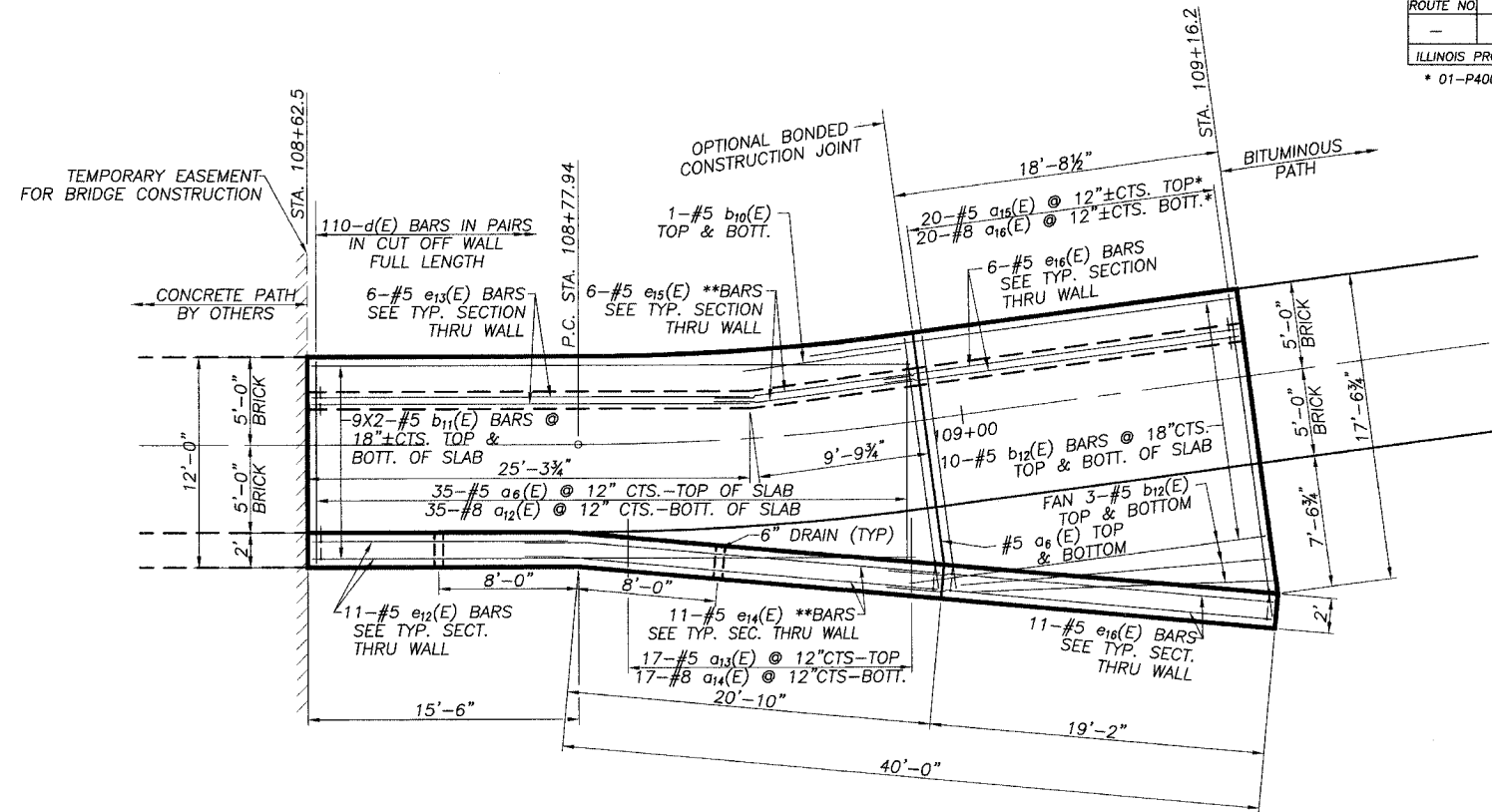


FAS ROUTE NO	SEC	COUNTY	TOTAL SHEETS	SHEET NO
-	*	LEE	20	10

ILLINOIS PROJECT TE-D2(115)  
\* 01-P4000-00-BT

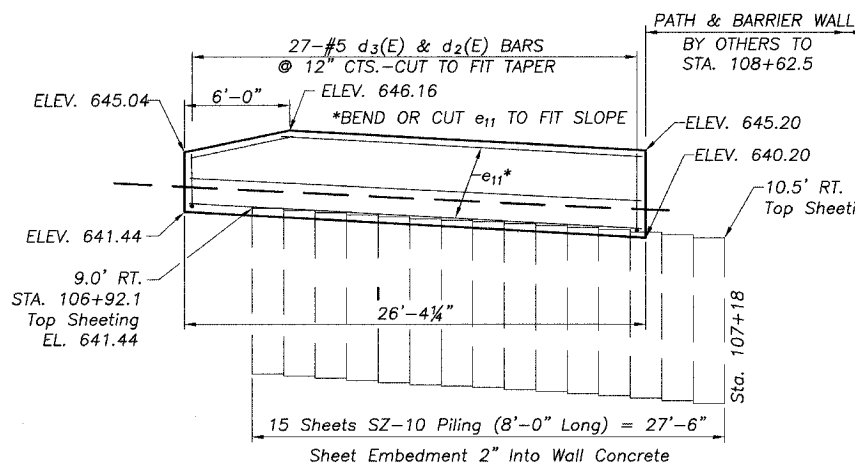


PLAN - WEST OF PEORIA AVE.



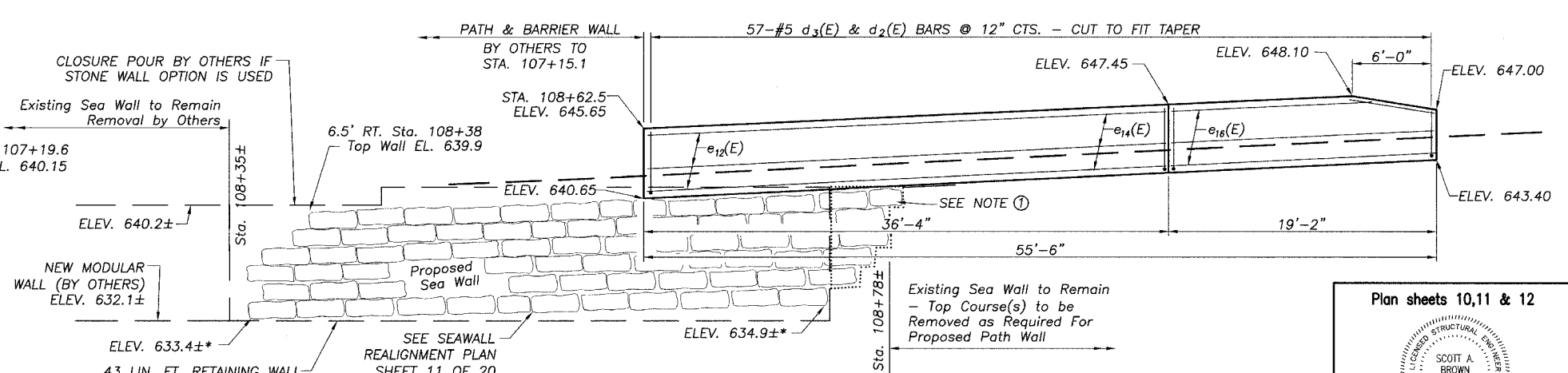
PLAN - EAST OF PEORIA AVE.

\*CUT BARS TO FIT TAPER  
\*\*BEND 2'-5" OF BAR END TO FIT TAPER



ELEVATION - WEST OF PEORIA AVE.

ALL DIMENSIONS ARE ALONG OUTSIDE FACE OF WALL



ELEVATION - EAST OF PEORIA AVE.

ALL DIMENSIONS ARE ALONG OUTSIDE FACE OF WALL  
\* Bottom of proposed sea wall elevations may be adjusted in the field to align new wall horizontal course grout lines to those on the existing wall. Expected adjustment to be less than 9" vertically downward.

- ① For Modular Option: Concrete Closure Pour Between Proposed Modular Wall and Existing Stone Sea Wall with Class SI Concrete. 24" Thickness. Drill and Attach 3/4" Dia. Anchor Bolts into Each Side at 18"± Cts. Full Height. Backfill with Controlled Low Strength Material (4' Horizontal Along Wall From Joint with Existing Wall 2' From Back Face of Existing Wall). (Cost Incidental to Retaining Wall)

Plan sheets 10,11 & 12

Scott A. Brown 3/17/05  
DATE

SCOTT A. BROWN  
DIXON, ILLINOIS  
ILLINOIS LICENSED STRUCTURAL  
ENGINEER NO. 081-005981  
EXPIRES 11-30-2006

© WENDLER ENGINEERING SERVICES, INC. 2004

**WENDLER ENGINEERING SERVICES, INC.**  
Structural & Civil Engineers—Land Surveying—Environmental Services  
Illinois Professional Design Firm No. 184-000848

1968 - 2004  
AFTER  
**36**  
YEARS  
WE'RE STILL  
"Turning Ideas...  
...Into Reality!"

698 TIMBER CREEK ROAD - P.O. BOX 486 - DIXON, IL 61021 - 815-288-2261  
28 E. MARION - SUITE 3 - PRINCETON, IL 61356 - 815-879-4731  
1770 WEST STATE ST. - SYCAMORE, IL 60178 - 815-895-5008  
804 FREEPORT RD. - STERLING, IL 61081 - (815) 626-4428  
E-MAIL: info@wendler.nu

REVISION	DATE	SURVEYED BY	JOB NO.	DRAWN BY	DESIGNED BY
			99022	BEH	
			DRAWING NAME	DRAWING DATE	
			RET-WALL-PEORIA	3/16/2005	
			TITLE		
			STA. 106+84.9 TO STA. 109+16.2		
			TITLE		
			RETAINING WALL DETAILS		
			DIXON PARK DISTRICT		

SCALE: 1"=NTS