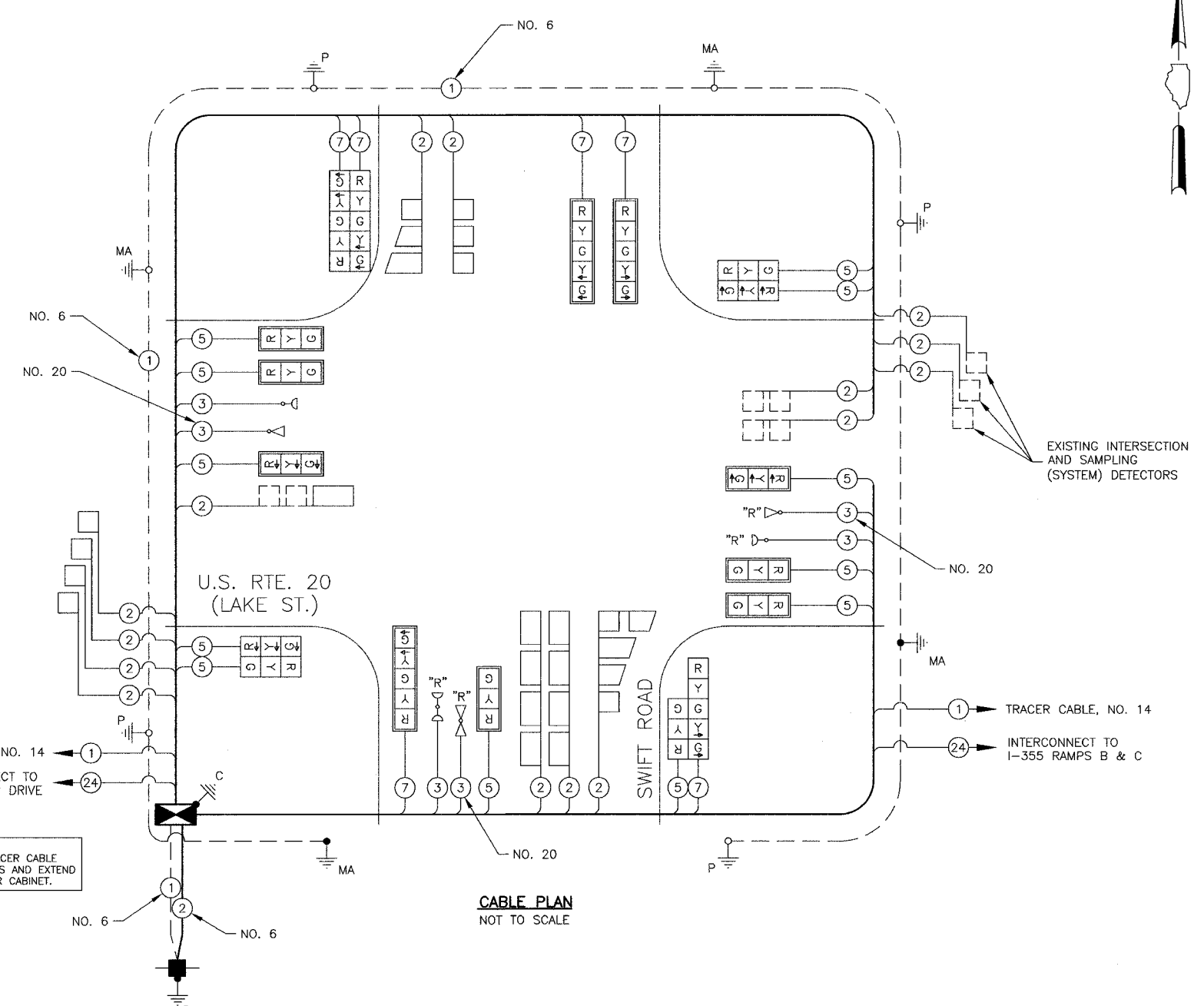


CABLE PLAN LEGEND

EXISTING	PROPOSED	DESCRIPTION
		8" (200mm) TRAFFIC SIGNAL SECTION
		12" (300mm) TRAFFIC SIGNAL SECTION
		12" (300mm) PEDESTRIAN SIGNAL SECTION
		12" (300mm) PEDESTRIAN SIGNAL SECTION
		CONTROLLER CABINET
		SERVICE INSTALLATION
		TELEPHONE CONNECTION
		VEHICLE DETECTOR, INDUCTION LOOP
		MAGNETIC DETECTOR
		EMERGENCY VEHICLE LIGHT DETECTOR
		CONFIRMATION BEACON
		PUSHBUTTON DETECTOR
		DENOTES NUMBER OF CONDUCTORS ALL CABLE NO. 14 EXCEPT AS INDICATED. ALL LOOP DETECTOR CABLE TO BE SHIELDED.
		GROUND CABLE IN CONDUIT, NO. 6 SOLID COPPER (GREEN)
		FIBER OPTIC CABLE IN CONDUIT NO. 62.5/125 2-MM12F SM12F
		SIGNAL FACE WITH BACKPLATE "P" INDICATES PROGRAMMED HEAD.
		RAILROAD CONTROL CABINET
		ILLUMINATED SIGN, "NO LEFT TURN"
		ILLUMINATED SIGN, "NO RIGHT TURN"
		GROUND ROD AT HANDHOLE (H), DOUBLE HANDHOLE (H), OR CONTROLLER (C)
		GROUND ROD AT POST (P) OR MAST ARM POLE (MA)
		GROUND ROD AT ELECTRIC SERVICE INSTALLATION
		"R" RELOCATED SIGNAL EQUIPMENT



NOTE:
THE END OF THE TRACER CABLE
SHALL BE CONTINUOUS AND EXTEND
INTO THE CONTROLLER CABINET.

CABLE PLAN
NOT TO SCALE

I.D.O.T. TRAFFIC SIGNAL INSTALLATION ELECTRICAL SERVICE REQUIREMENTS					TOTAL WATTAGE
TYPE	NO. LAMPS	WATTAGE INCAND.	LED	% OPERATION	
SIGNAL (RED)	18		17	0.50	153
(YELLOW)	18		25	0.25	113
(GREEN)	18		15	0.25	68
ARROW	12		12	0.10	14
PED. SIGNAL			25	1.00	
CONTROLLER	1		100	1.00	100
ILLUM. SIGN				0.05	
FLASHER				0.50	
TOTAL =					448

ENERGY COSTS TO: VILLAGE OF ADDISON
ONE FRIENDSHIP PLAZA
ADDISON, IL 60101-2786
CONTACT: JOE STACHO
PHONE: (630) 424-5704
COMPANY: COMMONWEALTH EDISON

FOUNDATION (DEPTH)	FT.	(m)	CABLE SLACK	FT.	(m)	VERTICAL	FT.	(m)
TYPE A - POST	4	(1.2)	HANDHOLE	6.5	(2.0)	ALL FOUNDATIONS	3.5	(1.0)
D - CONTROLLER	4	(1.2)	DOUBLE HANDHOLE	13	(4.0)	MAST ARM (L) POLE	20+L-2=	
E - M. ARM POLE			SIGNAL POST	2	(1.0)	(6m+L-0.6m)=		
24" (600mm)	10	(3.0)	CONTROLLER CAB.	1	(0.5)	BRACKET MOUNTED	13	(4.0)
30" (750mm)	15	(4.6)	FIBER OPTIC	13	(4.0)	PED. PUSHBUTTON	4	(1.2)
			ELECTRIC SERVICE	1	(0.5)	ELECTRIC SERVICE	13.5	(4.1)
			GROUND CABLE	1	(0.5)	SERVICE TO GROUND	13.5	(4.1)
						POST MOUNTED	6	(1.8)

THE TRAFFIC SIGNAL CONTROL EQUIPMENT
FOR THIS PROJECT SHALL BE "ECONOLITE"
BRAND TO MATCH THE EXISTING ADJACENT
SYSTEM.

VILLAGE OF ADDISON
TRAFFIC SIGNAL CABLE PLAN
U.S. RTE. 20 (LAKE ST.) &
SWIFT ROAD

SCALE: NOT TO SCALE
DATE: 4/1/2005

DRAWN BY: BRD
DESIGNED BY: BRD
CHECKED BY: KMM

