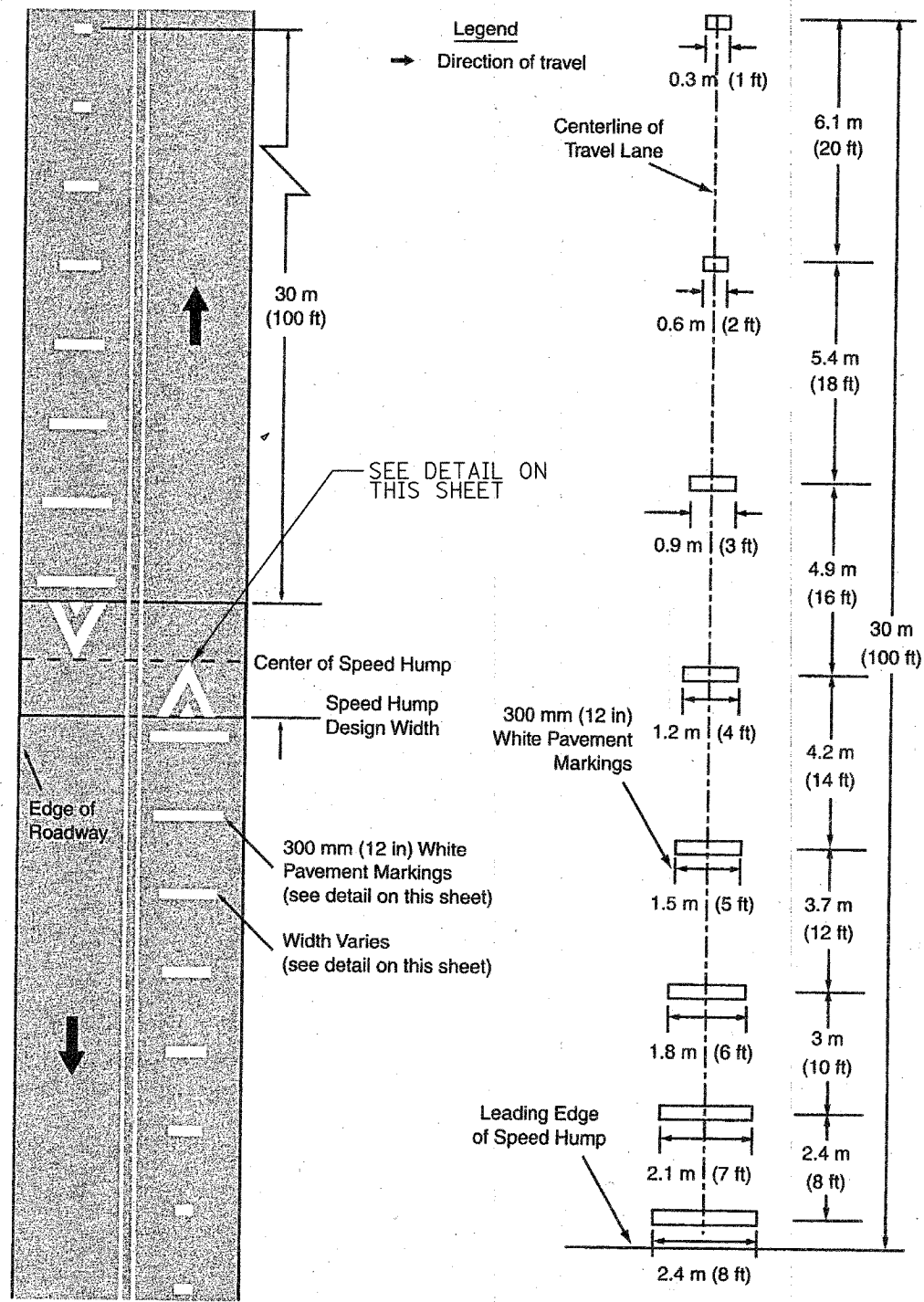
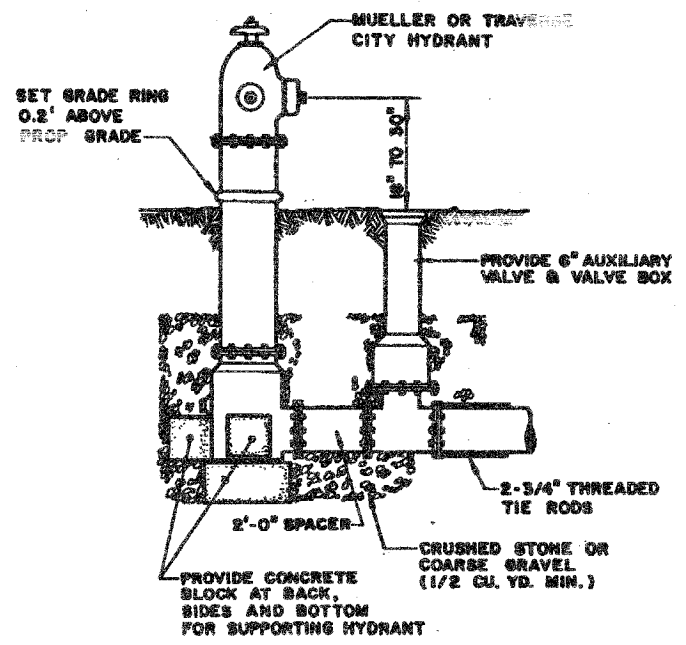
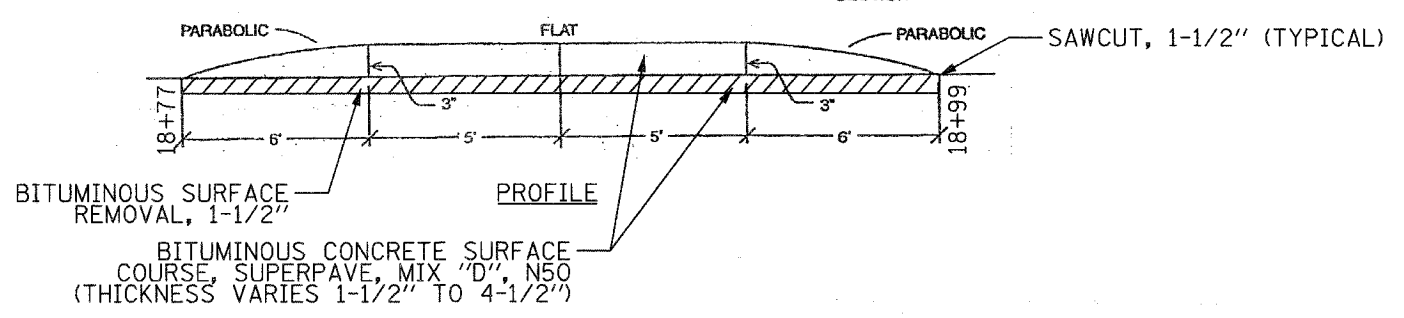
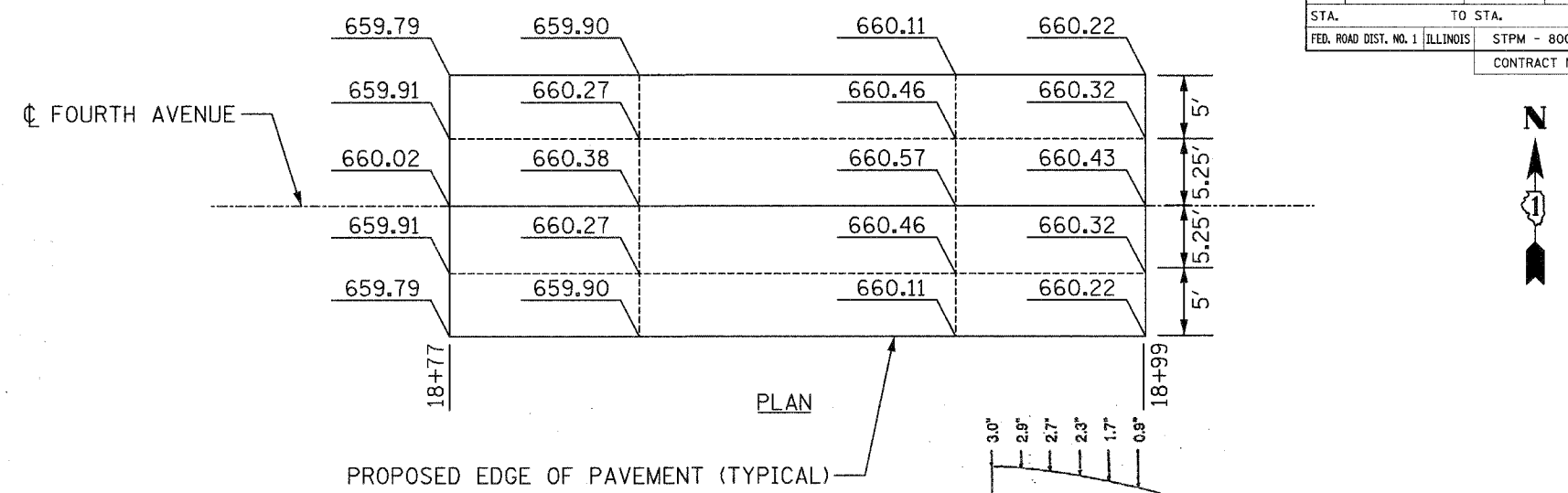


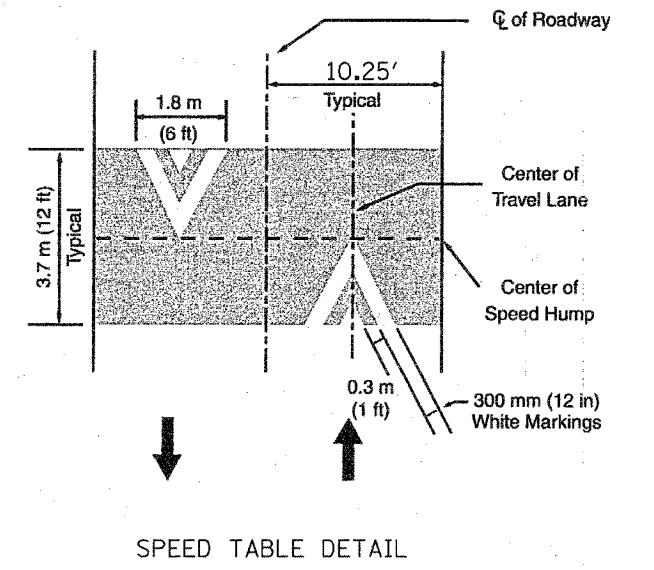
F.A. RTE.	SECTION	COUNTY	TOTAL SHEETS	SHEET NO.
2670	03-00095-00-RS	LAKE	67	39
STA.	TO STA.			
FED. ROAD DIST. NO. 1	ILLINOIS	STPM - 8003 (442)		
CONTRACT NO.:				



ADVANCE WARNING MARKINGS



N.T.S.
FIRE HYDRANT DETAIL



SPEED TABLE DETAIL

REVISIONS	
NAME	DATE

CG Clorba Group, Inc.
CONSULTING ENGINEERS
6507 North Cumberland Avenue, Suite 402 Chicago, Illinois 60659
Tel 773.775.4009 Fax 773.775.4014 Email chicago@clorba.com

VILLAGE OF LIBERTYVILLE
FOURTH AVENUE IMPROVEMENTS

DETAILS

SCALE: NTS
DATE: JANUARY, 2005

DRAWN BY: KDM
CHECKED BY: RAY