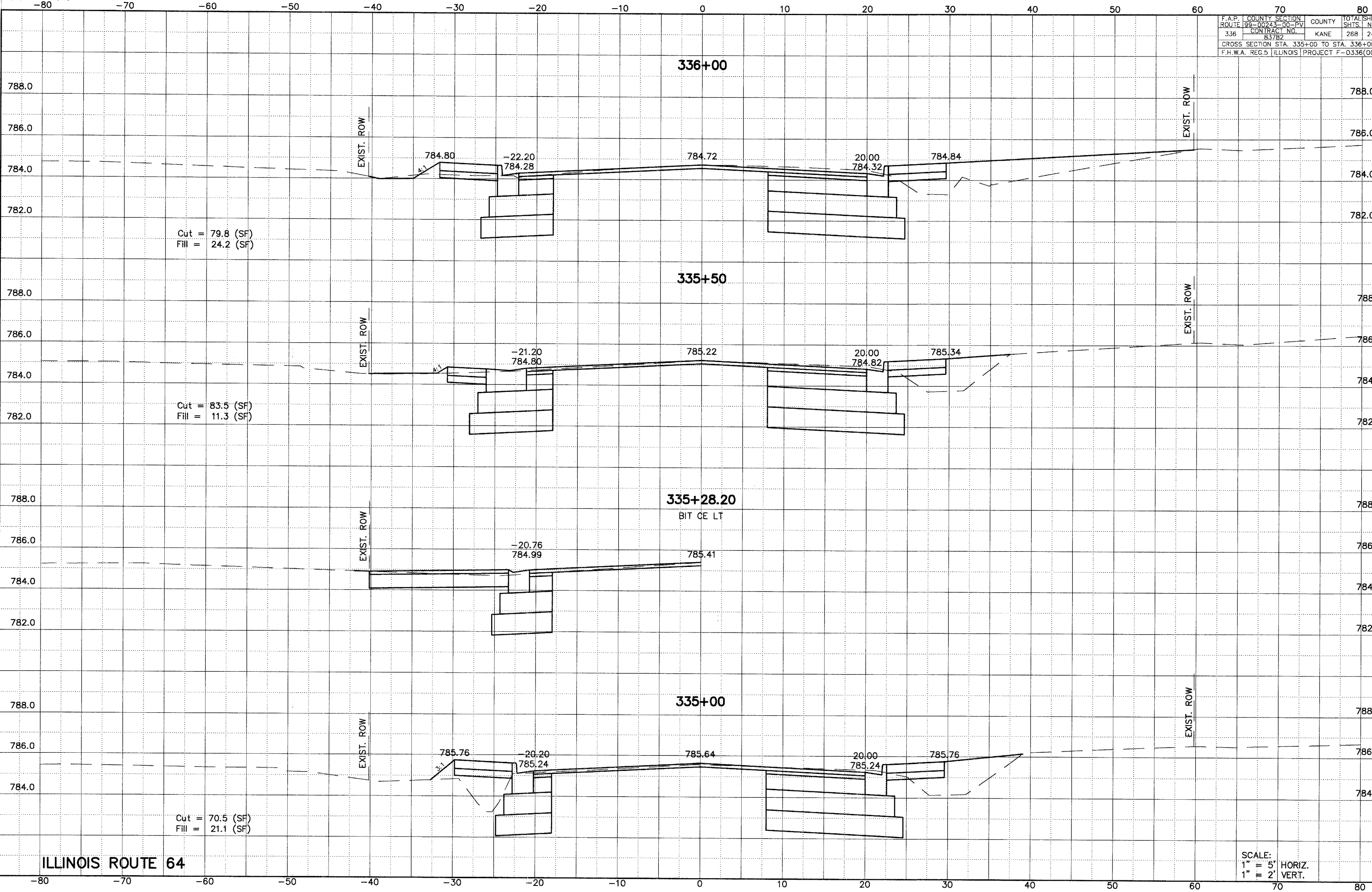


F.A.P. ROUTE	COUNTY	SECTION	COUNTY	TOTAL SHEETS
336	336	00-0243-00-PV	KANE	268
CONTRACT NO.		83782		
CROSS SECTION STA. 335+00 TO STA. 336+00				
F.H.W.A. REG. 5 ILLINOIS PROJECT F-0336(00)				



ILLINOIS ROUTE 64

SCALE:
1" = 5' HORIZ.
1" = 2' VERT.