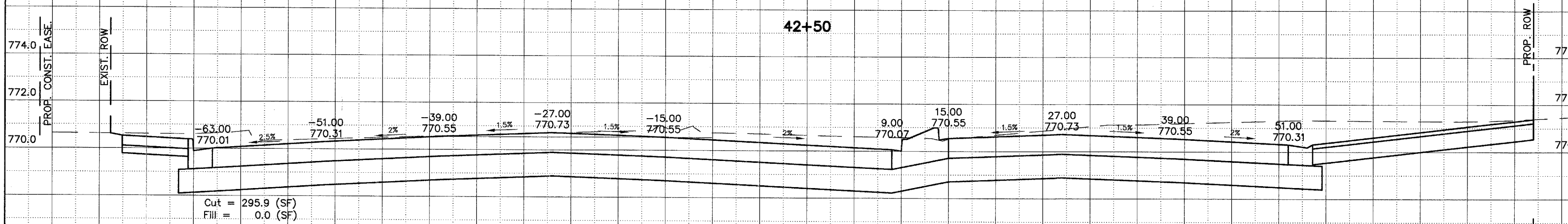
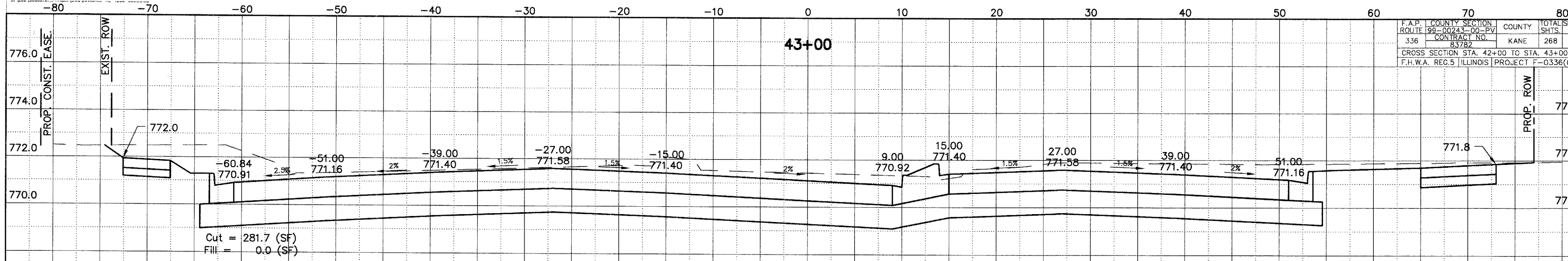
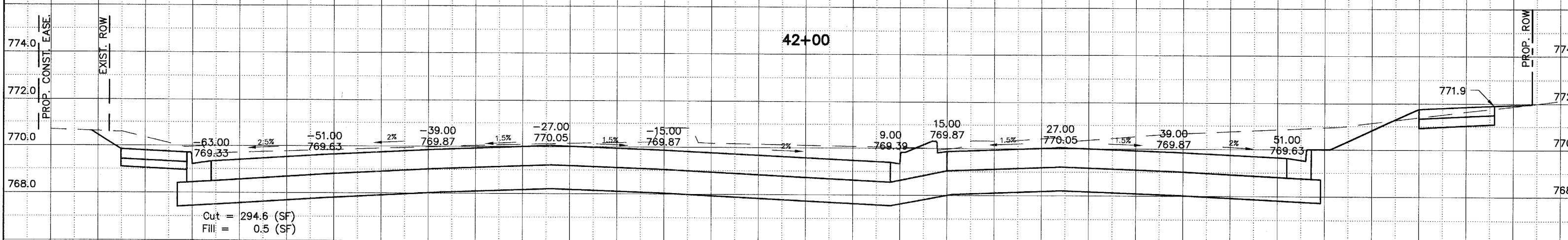
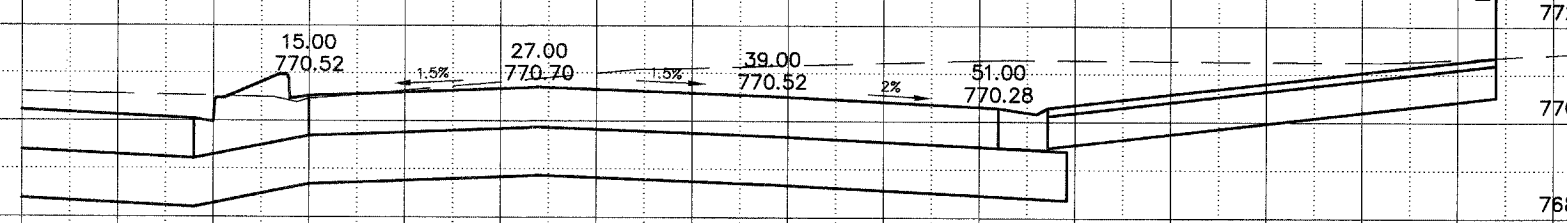


F.A.P. COUNTY SECTION	TOTAL SHEETS
ROUTE 99-00243-00-PV	268 22
CONTRACT NO. 83782	KANE
CROSS SECTION STA. 42+00 TO STA. 43+00	
F.H.W.A. REG.5 ILLINOIS PROJECT F-0336(00)	



42+48
BIT CE RT



RANDALL ROAD

SCALE:
1" = 5' HORIZ.
1" = 2' VERT.