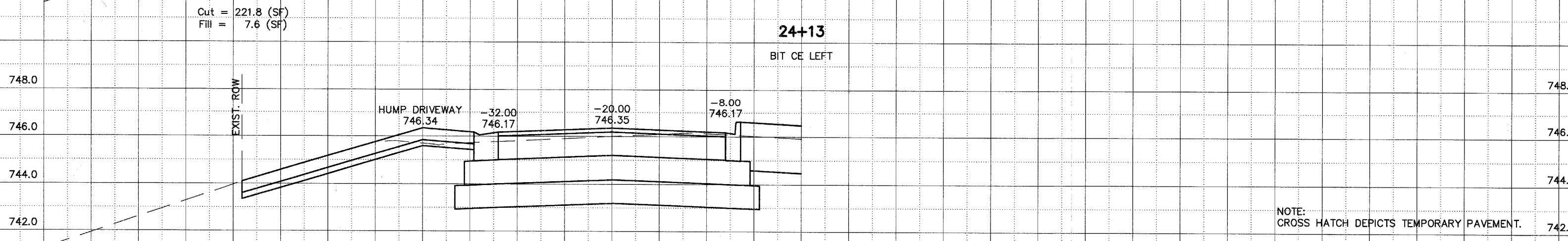
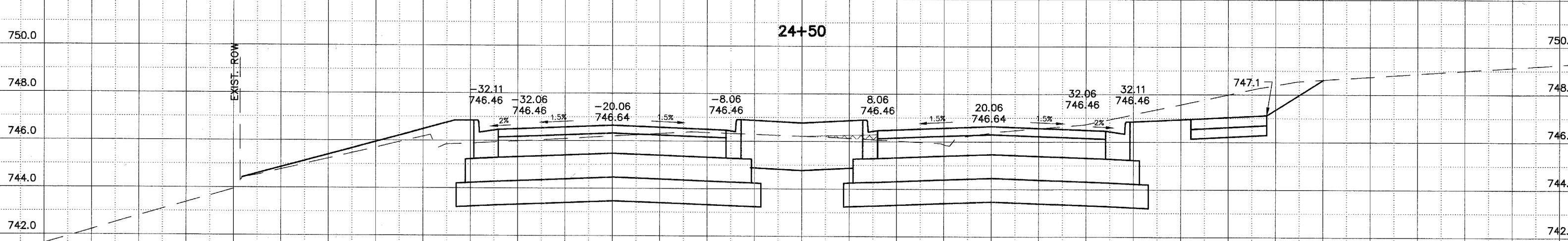
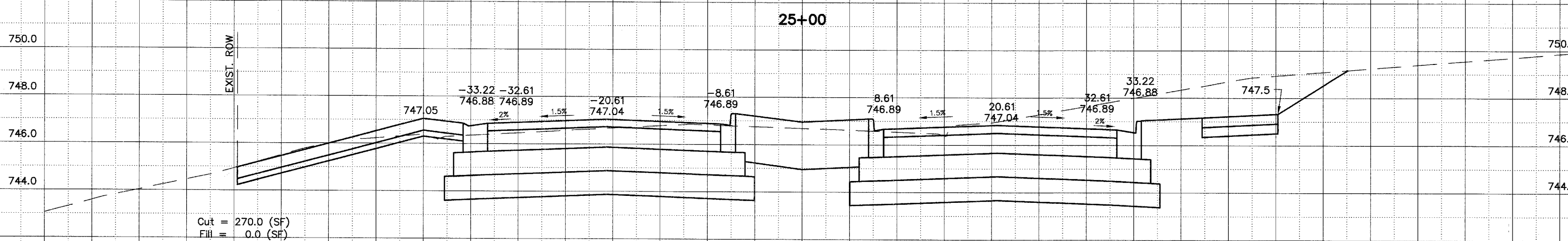
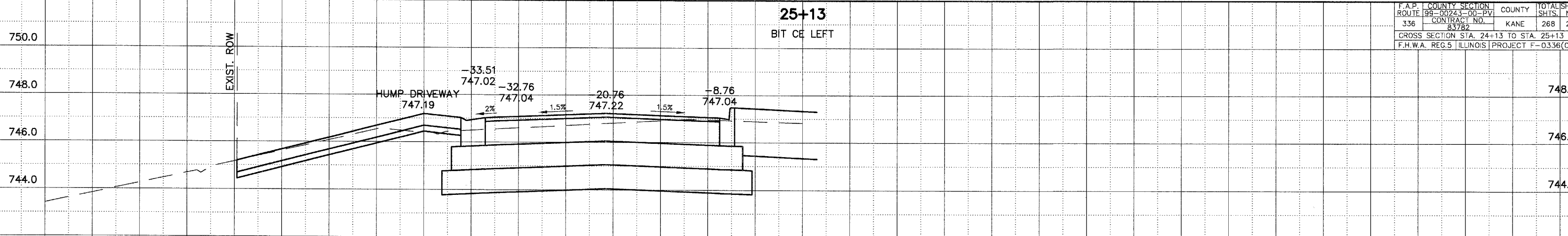


-80 -70 -60 -50 -40 -30 -20 -10 0 10 20 30 40 50 60 70 80

F.A.P. ROUTE	COUNTY SECTION	COUNTY	TOTAL SHEETS
336	99-00243-00-PV	KANE	268
	CONTRACT NO.		21
	83782		
CROSS SECTION STA. 24+13 TO STA. 25+13			
F.H.W.A. REG. 5 ILLINOIS PROJECT F-0336(00)			



RANDALL ROAD

NOTE: CROSS HATCH DEPICTS TEMPORARY PAVEMENT.

SCALE:  
1" = 5' HORIZ.  
1" = 2' VERT.

-80 -70 -60 -50 -40 -30 -20 -10 0 10 20 30 40 50 60 70 80