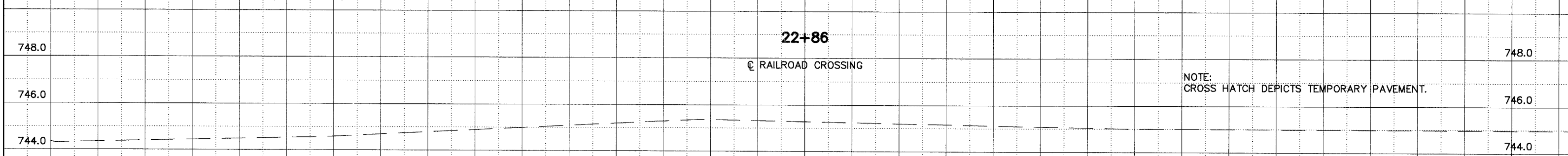
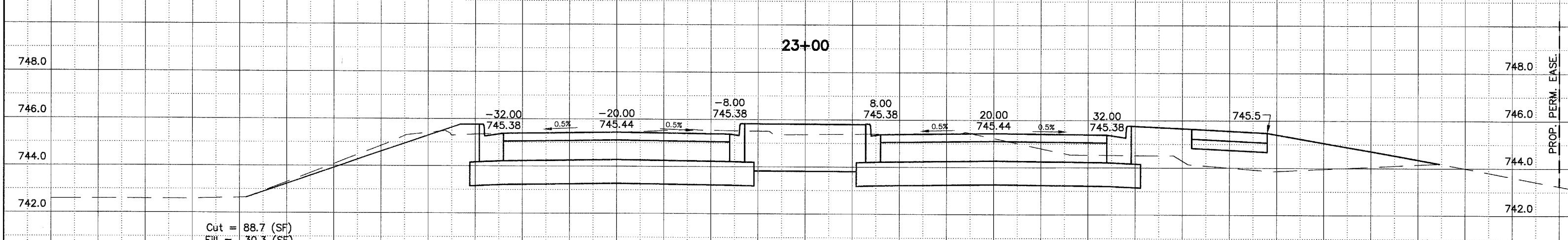
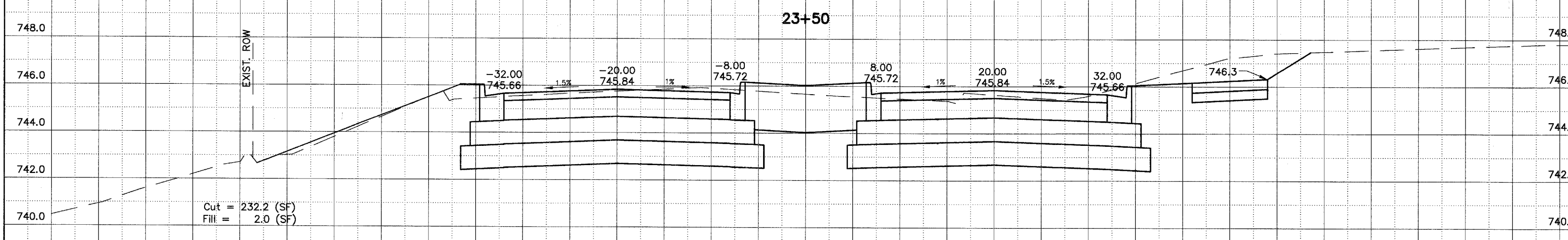
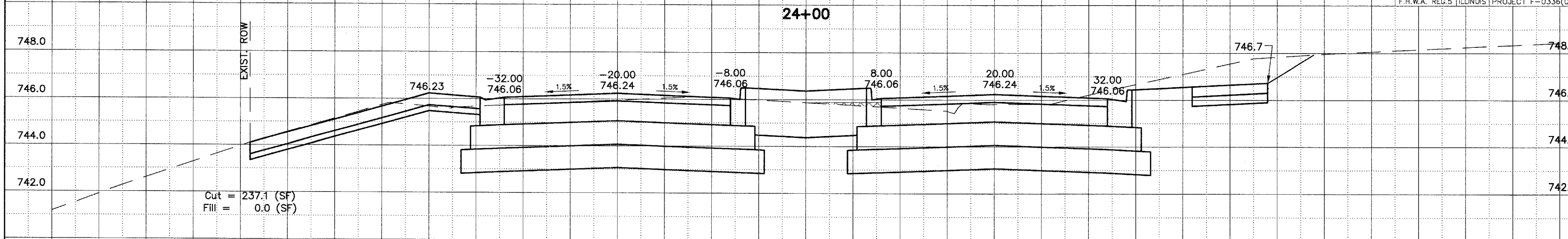


F.A.P. COUNTY SECTION	ROUTE 99-00243-00-PV	COUNTY	TOTAL SHEETS
336	CONTRACT NO. 83782	KANE	268 215
CROSS SECTION STA. 22+86 TO STA. 24+00			
F.H.W.A. REG. 5 ILLINOIS PROJECT F-0336(008)			



NOTE: CROSS HATCH DEPICTS TEMPORARY PAVEMENT.

RANDALL ROAD

SCALE:  
1" = 5' HORIZ.  
1" = 2' VERT.