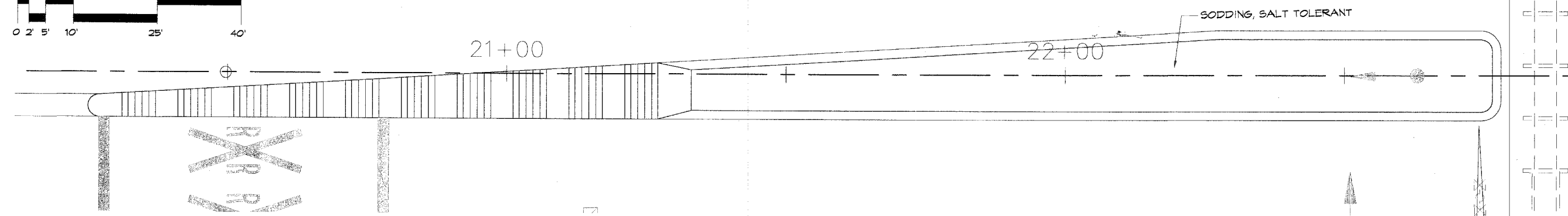
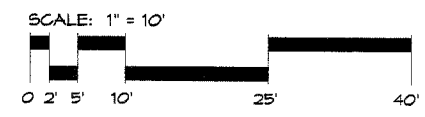
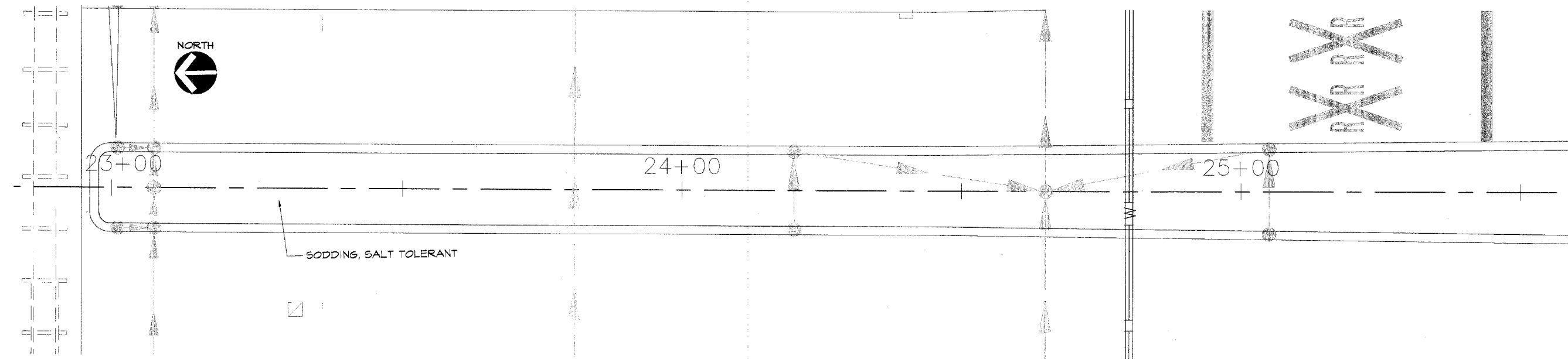


F.A.P. ROUTE	COUNTY SECTION	COUNTY	TOTAL SHEETS	SHEET NO.
336	89-00243-00-PV	KANE	288	18
CONTRACT NO. 83782				
LANDSCAPING PLANS				
F.H.W.A. REG.5 ILLINOIS PROJECT F-0336(00)				



MEDIAN PLANTER SEGMENT MP-1.01

SCALE: 1" = 10'-0"



MEDIAN PLANTER SEGMENT MP-2.01

SCALE: 1" = 10'-0"

HAYDEN BULIN LARSON
 Design Group Ltd.
 750 North Franklin Street, Suite 205
 Chicago, Illinois 60610
 312.943.3234 FAX 312.943.3302

RANDALL ROAD MEDIANS
 City of St. Charles
 St. Charles, Illinois

HBL Submittal: Dec. 23, 2004
 HBL Project No.: 04-001.01
 CADD File: h-medians.dwg
 Drawn By: J.E.
 Approved By: J.E.
 Revisions:

LANDSCAPE MEDIAN PLANTERS

Drawing	Sheet
L-1.1	182