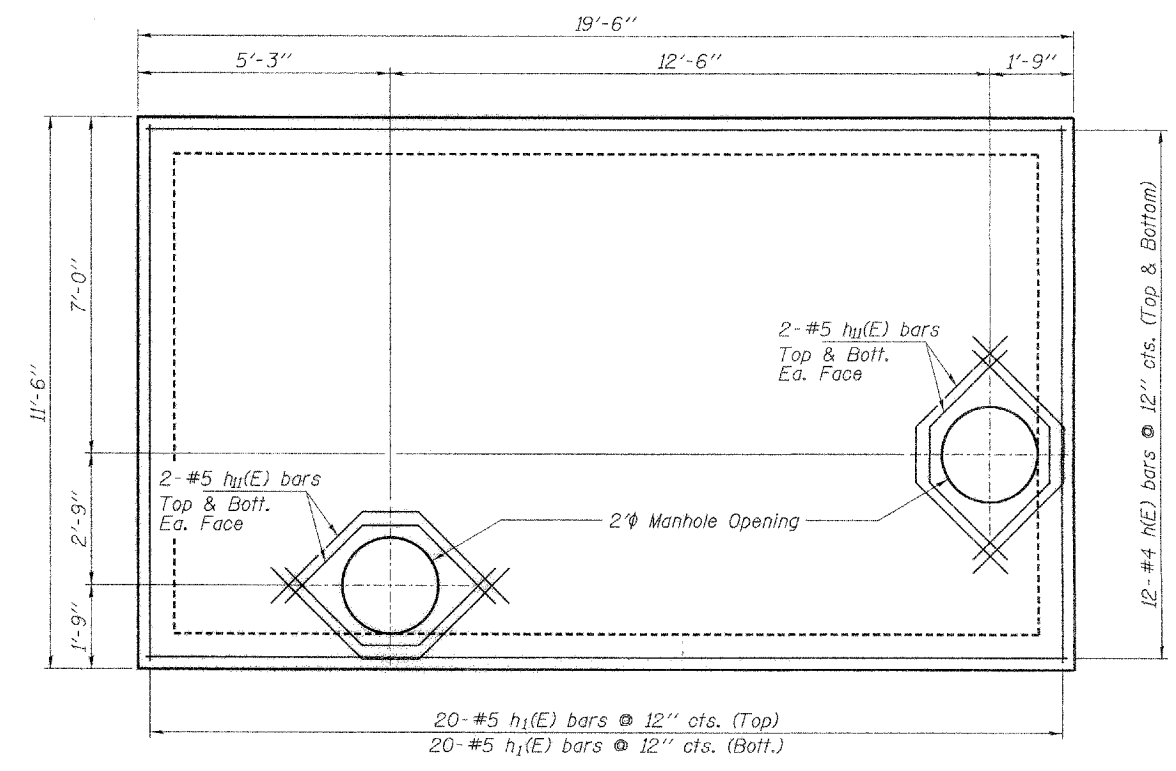


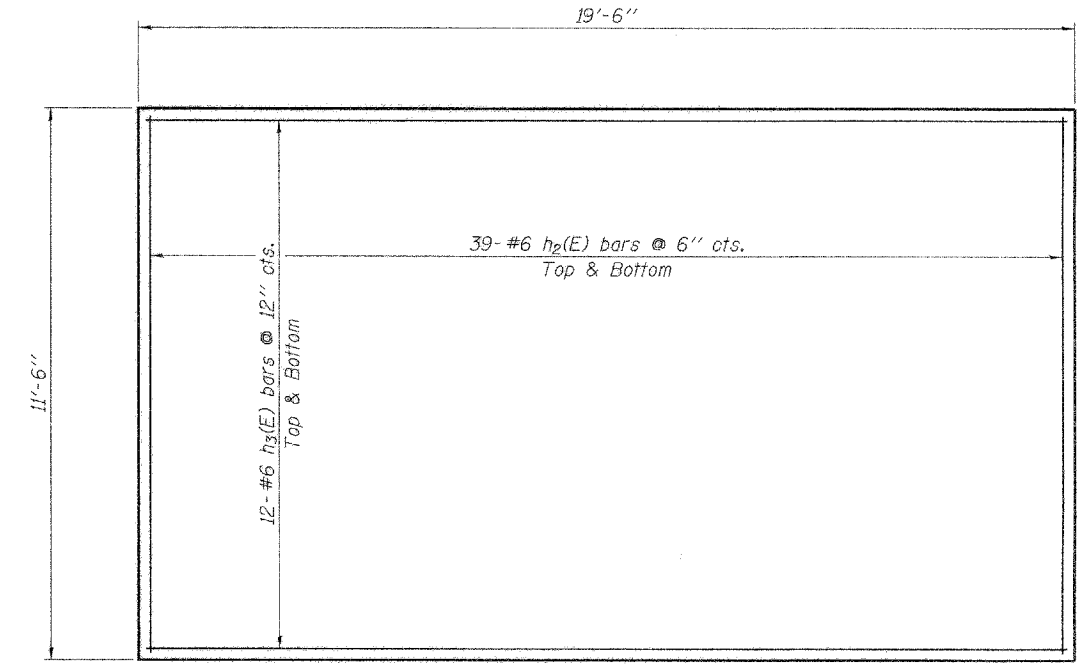
**PLAN**

**DESIGN STRESSES**

$f'_c = 3,500$  psi  
 $f_y = 60,000$  psi (Reinforcement Bars)  
 Max. Soil Pressure under footing = 1.5 ksf  
 Loading HS 20-44



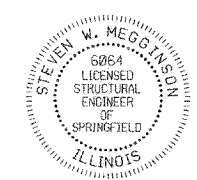
**TOP SLAB**



**BOTTOM SLAB**

**GENERAL NOTES**

Reinforcement Bars shall conform to the requirements of AASHTO M31 or M322 Grade 60.  
 All reinforcement bars shall be epoxy coated.  
 Reinforcement Bars that interfere with concrete pipes shall be bent or cut off to provide adequate clearance, as approved by the Engineer.  
 Class SI Concrete shall be used throughout.



*Steven W. Megginson* 1-11-05  
 ILLINOIS STRUCTURAL NO. 6064

Expires 11-30-06

<b>IBR</b>	Rice, Berry and Associates A Division of Hampton, Lenzini and Renwick, Inc.
	Civil & Structural Engineers 801 S. Durkin Drive Springfield, Illinois 62704 217-546-3400
	P.O. Box 1036 DuQuoin, Illinois 62832 618-790-4637
	Account Number 03-05-0181-1 Date: 01-11-05 DESIGNED: S.M.S.   CHECKED: S.W.M.   DRAWN: D.B.

**SPLIT FLOW JUNCTION STRUCTURE**

SECTION 99-00243-00-PV

RANDALL ROAD

KANE COUNTY

STATION 32+00