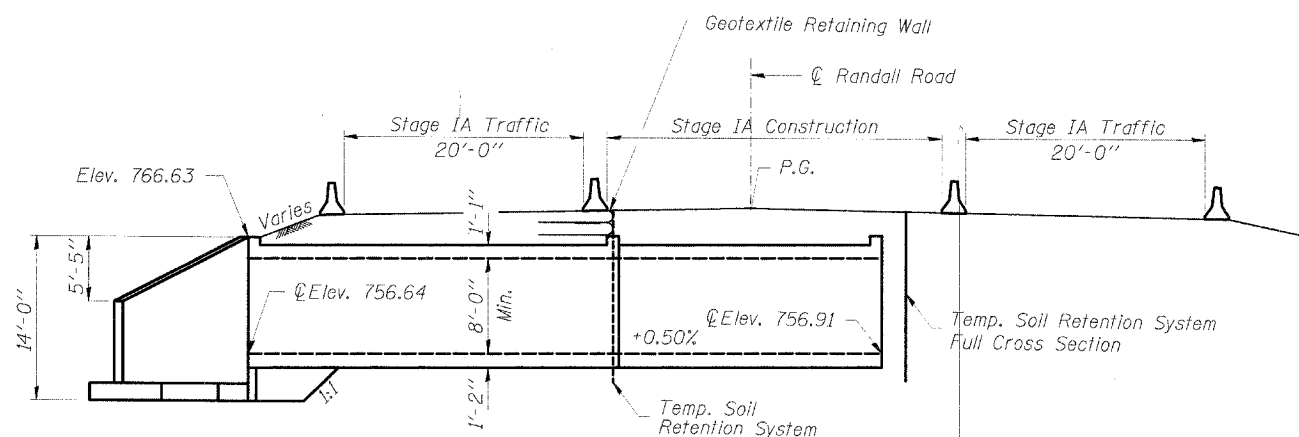
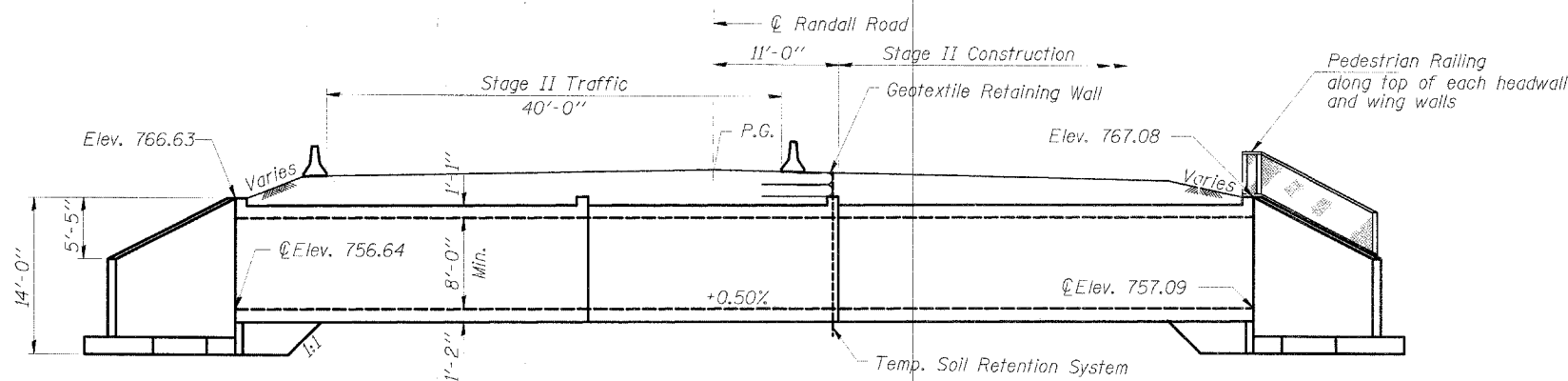


**STAGE I CONSTRUCTION**



**STAGE IA CONSTRUCTION**



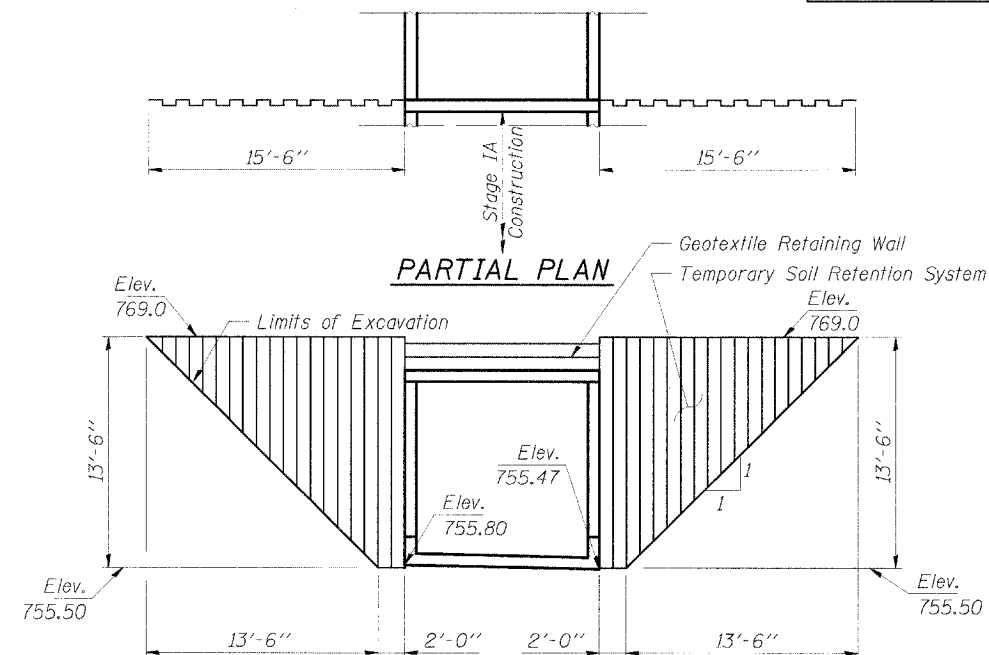
**STAGE II CONSTRUCTION**

Note:

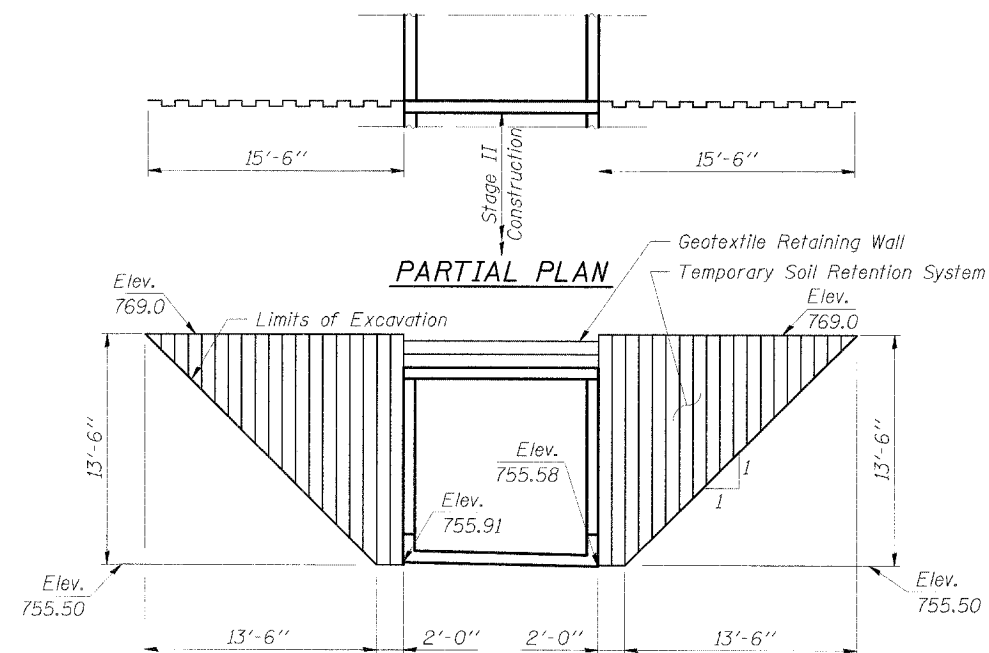
"A cantilevered sheet piling design does not appear feasible and additional members or other retention systems may be necessary. The contractor shall submit a temporary soil retention system design including plan details and calculations for review and acceptance by the Engineer."

Note:

Boulders were encountered at Elev. 758.2 at Boring #1



**ELEV. TEMPORARY SOIL RETENTION SYSTEM DETAILS FOR STAGE IA REMOVAL & CONST.**



**ELEV. TEMPORARY SOIL RETENTION SYSTEM DETAILS FOR STAGE II REMOVAL & CONST.**

<b>HLR</b>	Rice, Berry and Associates A Division of Hampton, Lanzini and Berwick, Inc. Civil & Structural Engineers 801 S. Durkin Drive Springfield, Illinois 62704 217-546-3400
	Account Number 03-05-081-1 Date: 6-09-04 DESIGNED: P.S.L.   CHECKED: J.L.B.   DRAWN: D.S.S.

**STAGING**  
SECTION 99-00243-00-PV  
BIKE PATH UNDER RANDALL ROAD  
KANE COUNTY  
STATION 11+25