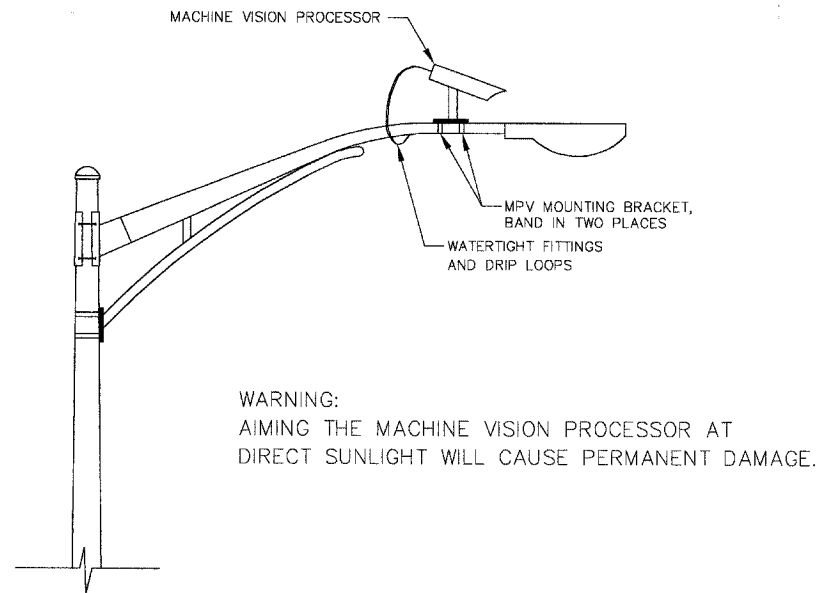
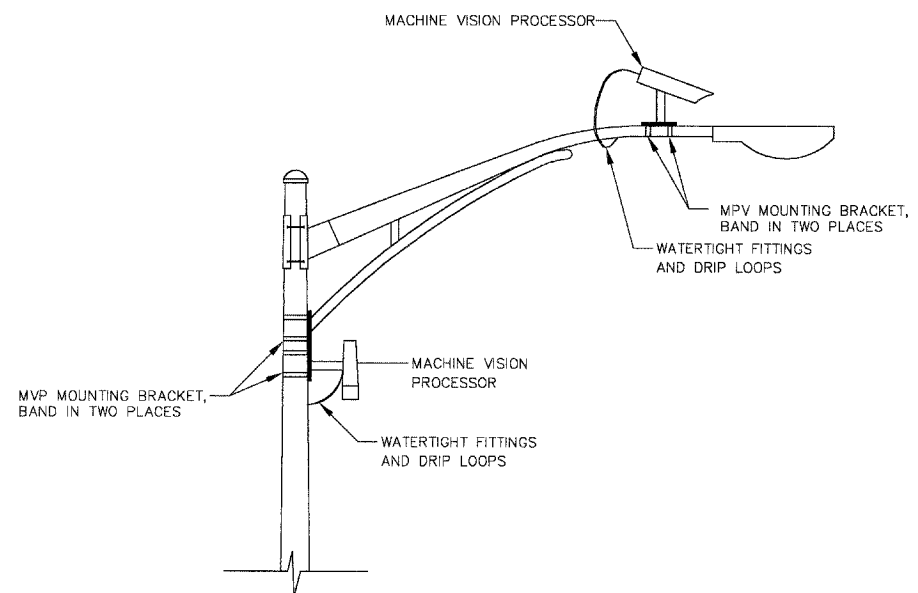


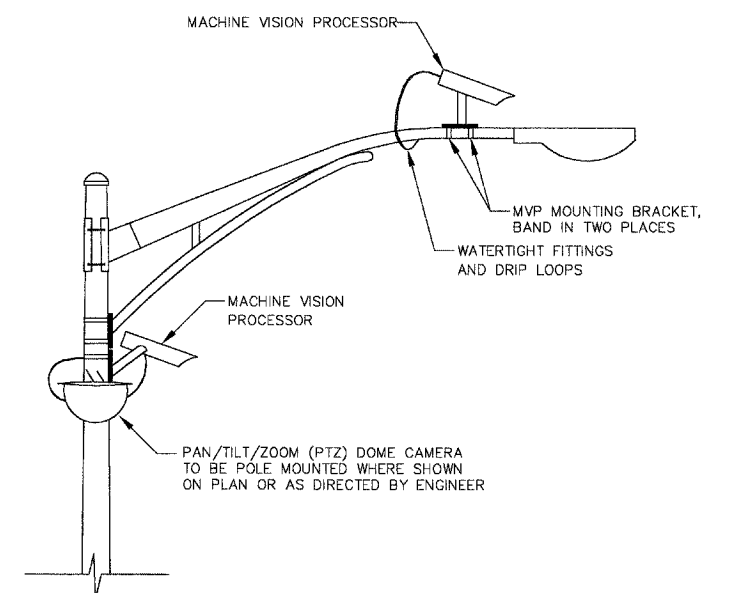
F.A.P. ROUTE	COUNTY SECTION	COUNTY	TOTAL SH.
336	99-00243-00-PV	KANE	268
CONTRACT NO. 83782			
VIDEO DETECTION DETAILS			
F.H.W.A. REG.5 ILLINOIS PROJECT F-0336(O)			



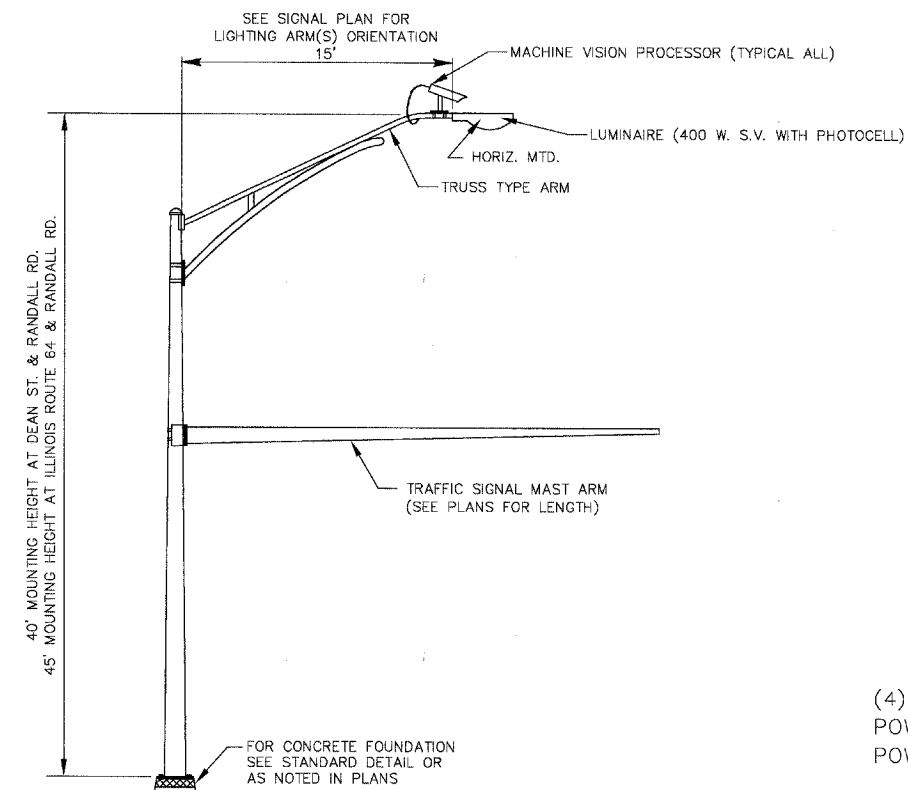
TYPICAL
SINGLE MACHINE VISION PROCESSOR
MOUNTING DETAIL
 (NOT TO SCALE)



TYPICAL
DUAL MACHINE VISION PROCESSORS
MOUNTING DETAILS
 (NOT TO SCALE)

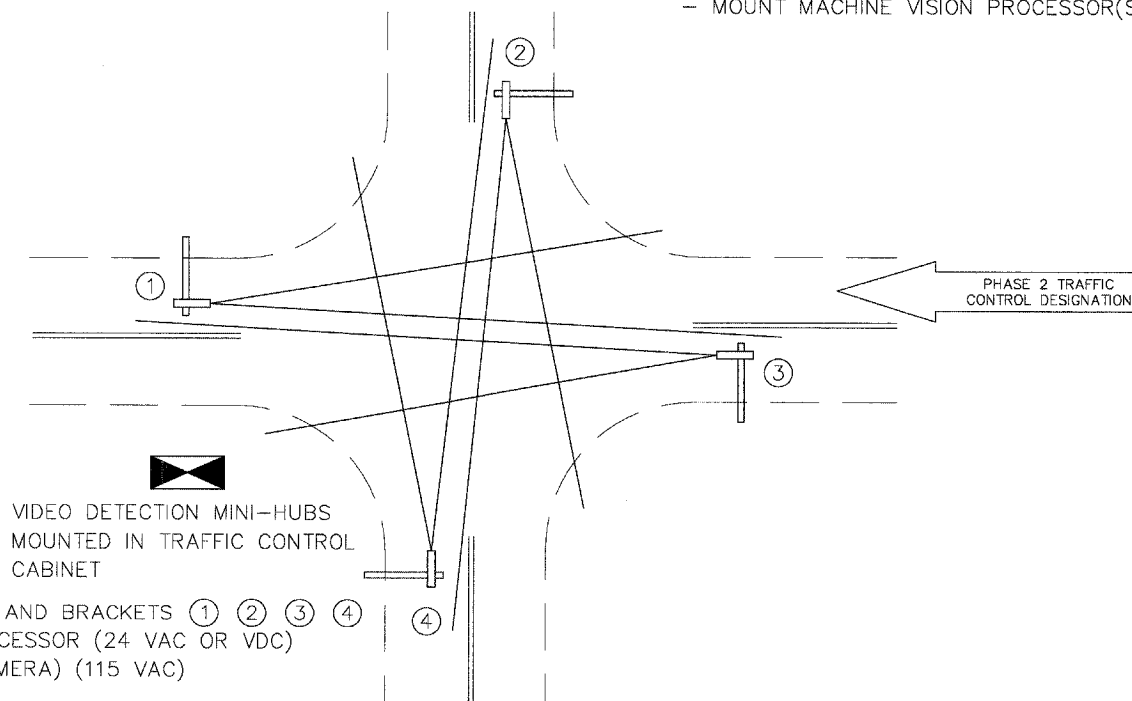


TYPICAL
MULTIPLE MACHINE VISION PROCESSORS
MOUNTING DETAILS
 (NOT TO SCALE)



COMBINATION MAST ARM ASSEMBLY
DETAIL
 (NOT TO SCALE)

- NOTES FOR SINGLE, DUAL AND MULTIPLE MVP MOUNTING:
- SECURE MVP MOUNTING BRACKET(S) AS HIGH AS POSSIBLE.
 - AIM MVP BRACKET(S) TOWARD DIRECTION OF TRAFFIC TO BE DETECTED.
 - MOUNT MACHINE VISION PROCESSOR(S) DOWN AT 30 DEGREE ANGLE.



TYPICAL VIDEO VEHICLE
DETECTION SYSTEM
 (NOT TO SCALE)

DIVISION OF TRANSPORTATION	
TYPICAL VIDEO DETECTION LAYOUT AND MOUNTING DETAILS	
RANDALL RD.	
NAME	DATE
REVISIONS	
SCALE: NONE	DRAWN BY: JMH
DATE: SEPTEMBER 23, 2004	DESIGNED BY: DMH
	CHECKED BY: JRL