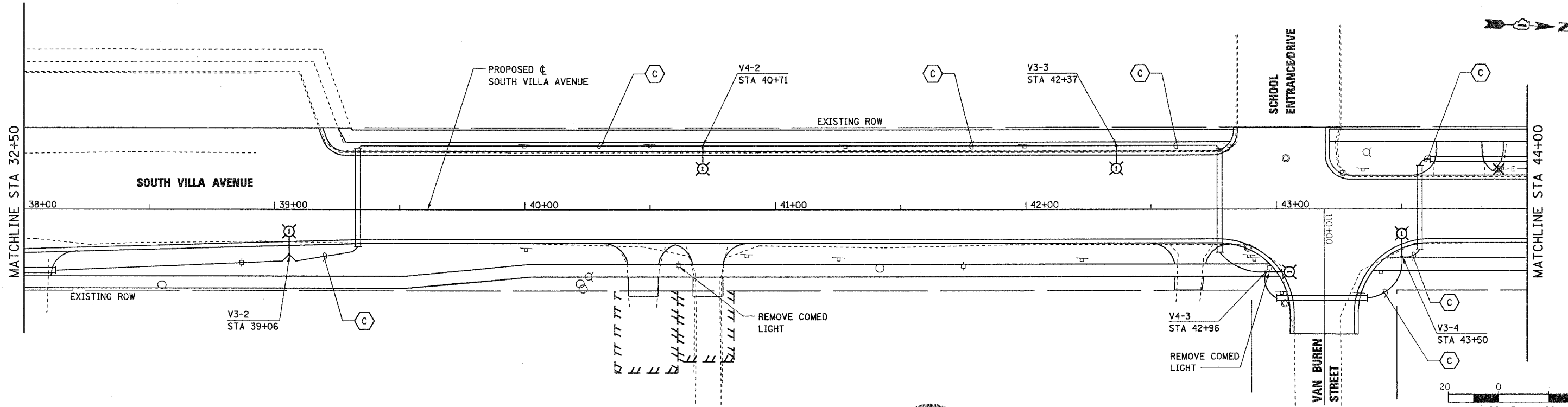
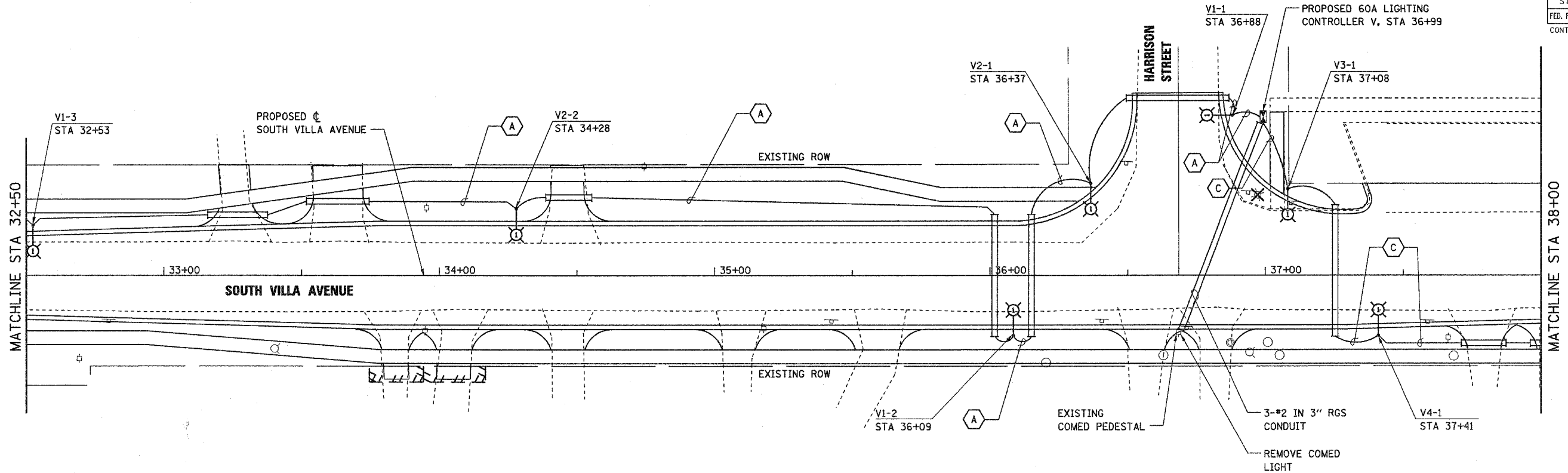


F.A.U. RTE.	SECTION	COUNTY	TOTAL SHEETS	SHEET NO.
2652	00-00069-00-PV	DUPAGE	146	80
STA. 10+70.70		TO STA. 66+16.00		
FED. ROAD DIST. NO.		ILLINOIS	FED. AID PROJECT	
CONTRACT NO. 83781				



PLAN	DATE
BY	
CHECKED	
DATE	
NO.	

PROFILE	DATE
BY	
CHECKED	
DATE	
NO.	

ERNEST E. LEAF
 062-055760
 STATE OF ILLINOIS
 EXPIRES 11-30-2005
 SIGNATURE AND DATE

Stanley Consultants INC.
 850 West Higgins Road
 Suite 130
 Chicago, Illinois 60639-2801 Illinois Fire Registration No. 084-00533

REVISIONS	
NAME	DATE

VILLAGE OF VILLA PARK, ILLINOIS
ELECTRICAL PLAN
SOUTH VILLA AVENUE
SHEET 3 OF 5
 STA 32+50 TO STA 44+00
 SCALE: 1"=20'
 DATE: 11-NOV-2004
 DRAWN BY: E.D.
 CHECKED BY: J.T.G.