

F.A.U. RTE.	SECTION	COUNTY	TOTAL SHEETS	SHEET NO.
2652	00-00069-00-PV	DUPAGE	146	76
STA. 10+70.70	TO STA. 66+16.00			
FED. ROAD DIST. NO.	ILLINOIS	FED. AID PROJECT		
CONTRACT NO. 83781				

DESIGN TABLE

TYPE OF SOIL	DESIGN DEPTH OF FOUNDATION SINGLE ARM D	REINFORCEMENT IN FOUNDATION SINGLE ARM	
		VERT BARS	SPIRAL
SOFT CLAY	17'-0"	8-#8x16'-0"	#4x157'
MEDIUM CLAY	12'-0"	8-#8x11'-0"	#4x110'
STIFF CLAY	8'-3"	8-#8x7'-6"	#4x78'
LOOSE SAND	10'-9"	8-#8x10'-0"	#4x102'
MEDIUM SAND	9'-3"	8-#8x8'-6"	#4x88'
DENSE SAND	8'-0"	8-#8x7'-6"	#4x78'
ROCK OR SOLIDIFIED SLAG	5'-0"	NONE	NONE

CONTRACTOR SHALL FURNISH AND INSTALL:

CONTROL CABINET - INCLUDING FOUNDATION AND METER CABINET WITH CONNECTION DEVICES, WIRES AND FITTINGS.

RGS CONDUIT IN TRENCH - 3" DIA

RGS CONDUIT PUSHED - 3" DIA, IF REQUIRED.

ELECTRICAL CABLE - CABLES FROM INSIDE THE CABINET TO TOP OF ADAPTOR COUPLING AND ADDITIONAL 30' OF CABLE COILED FOR CONNECTION TO THE TRANSFORMER BY COMED.

SERVICE POLE INSTALLATION.

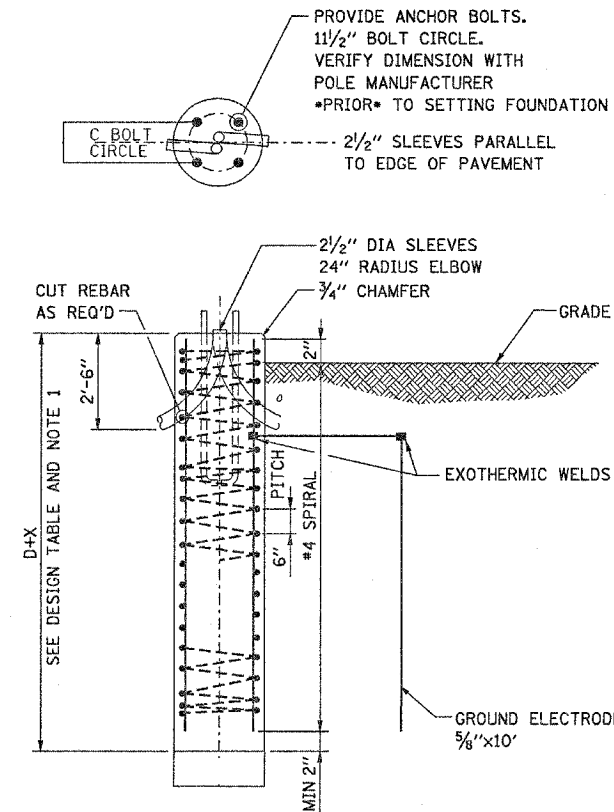
- (A) RGS CONDUIT - 3" DIA, ONE 10 FT SECTION AND ONE 90° ELBOW.
- (B) OUTDOOR ADAPTER COUPLING FOR METALLIC TO NON-METALLIC CONDUIT
- (C) GALVANIZED CONDUIT STRAPS & LAG SCREWS.
- (D) 3" DIA METALLIC RIGID CONDUIT

CONTRACTOR SHALL FURNISH AND COMMONWEALTH EDISON COMPANY SHALL INSTALL SERVICE POLE INSTALLATION

- (E) RGS CONDUIT STRAPS & LAG SCREWS.
- (F) COMED - APPROVED SERVICE HEAD.
- (G) 3" DIA NON-METALLIC RIGID CONDUIT
- (H) SERVICE POLE INSTALLATION: TRANSFORMER, CUT-OUT SWITCH, LIGHTING ARRESTER, GROUNDING EQUIPMENT, INSULATORS, WIRES, POLE, MAST ARM, HARDWARE AND ANY OTHER EQUIPMENT AND LABOR DEEMED NECESSARY.
- (I) METER ON CONTROL CABINET AS PART OF SERVICE INSTALLATION

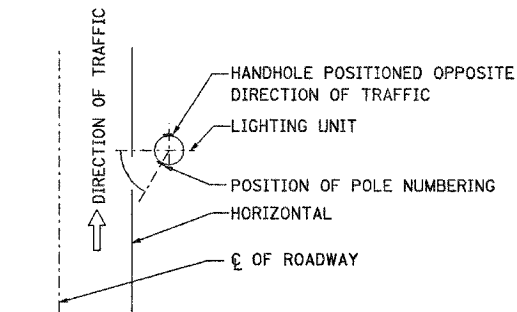
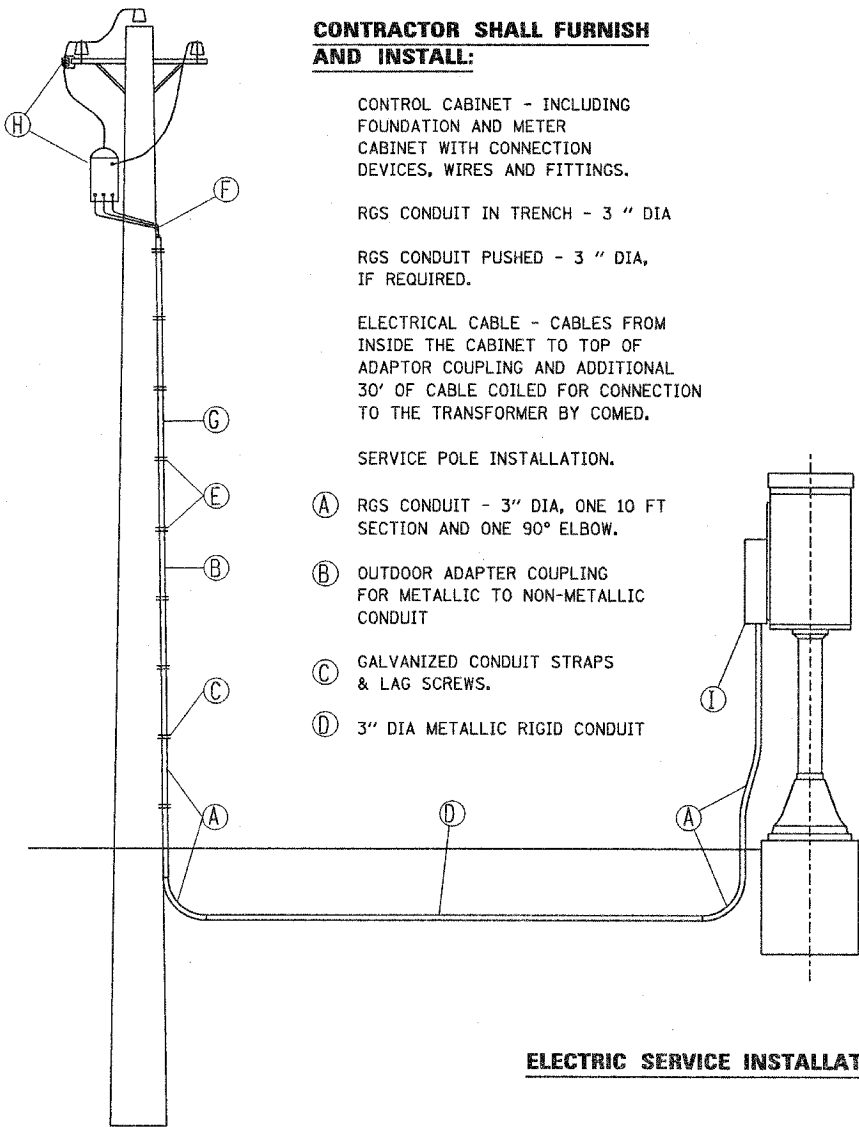
ELECTRIC SERVICE INSTALLATION: "ELECTRIC SERVICE INSTALLATION" APPLIES TO THOSE FACILITIES REQUIRED IN ADDITION TO WHAT IS DETERMINED BY AGREEMENT WITH C.E. COMPANY TO BE A NORMAL INSTALLATION AND SUCH FACILITIES WILL BE PAID FOR AS "ELECTRICAL SERVICE INSTALLATION."

SERVICE SHALL BE INSTALLED OF APPROPRIATE SIZE SUCH THAT THE AVAILABLE SHORT CIRCUIT CURRENT TO ANY CONTROLLER WILL NOT EXCEED 10 KAIC.

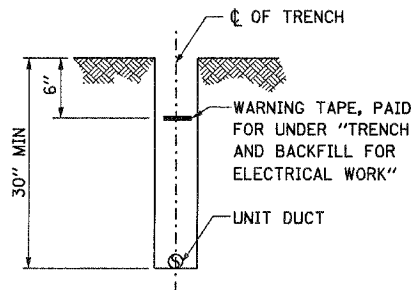


FOUNDATION DETAIL

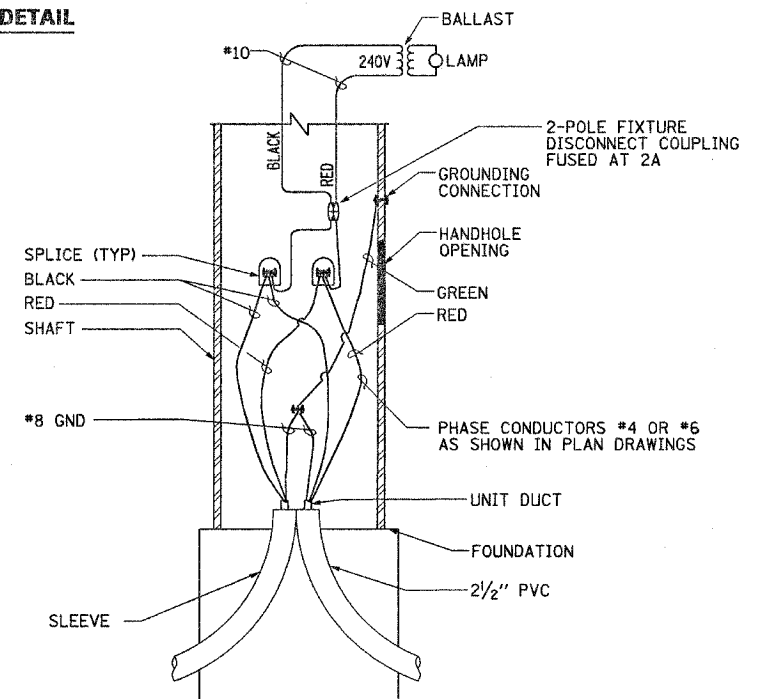
ELECTRIC SERVICE INSTALLATION



HANDHOLE AND POLE NUMBERING

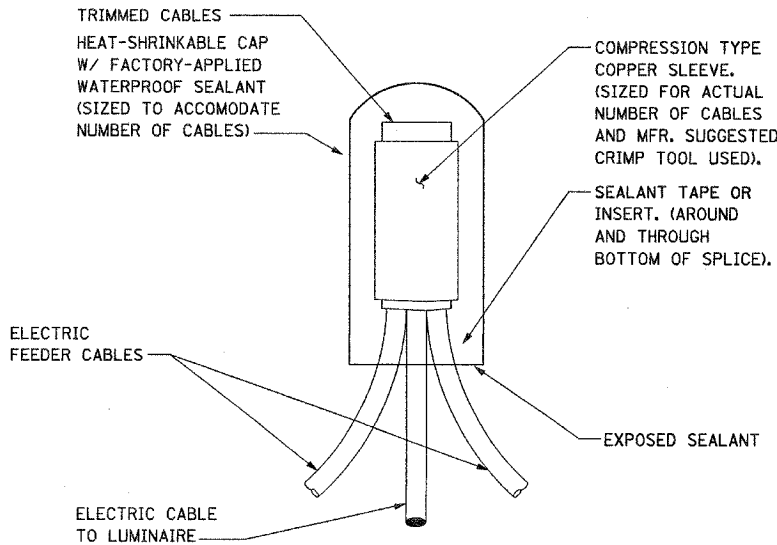


TRENCH CROSS SECTION



POLE BASE WIRING DIAGRAM FOR TYPICAL LUMINAIRE

NOT TO SCALE



SPLICING DETAIL

ERNEST E. LEAF
 062-055760
 STATE OF ILLINOIS
 EXPIRES 11-30-2005
 SIGNATURE AND DATE

Stanley Consultants INC.
 850 West Higgins Road
 Suite 130
 Chicago, Illinois 60633-2801 Illinois Firm Registration No. IS4-00633

REVISIONS	
NAME	DATE

VILLAGE OF VILLA PARK, ILLINOIS

LIGHTING DETAILS SHEET 2 OF 2

SCALE: NONE
DATE: 11-NOV-2004

DRAWN BY: E.D.
CHECKED BY: J.T.G.

BY: _____ DATE: _____
 SURVEYED _____
 PLAN _____
 NOTE BOOK _____
 NO. _____
 ALIGNED _____
 CHECKED _____
 BY: _____
 DATE: _____
 SURVEYED _____
 PROFILE _____
 NOTE BOOK _____
 NO. _____
 GRADES _____
 CHECKED _____
 BY: _____
 DATE: _____
 SURVEYED _____
 STRUCTURE NOTATIONS: OKRD

BY: _____ DATE: _____
 SURVEYED _____
 PROFILE _____
 NOTE BOOK _____
 NO. _____
 GRADES _____
 CHECKED _____
 BY: _____
 DATE: _____
 SURVEYED _____
 STRUCTURE NOTATIONS: OKRD