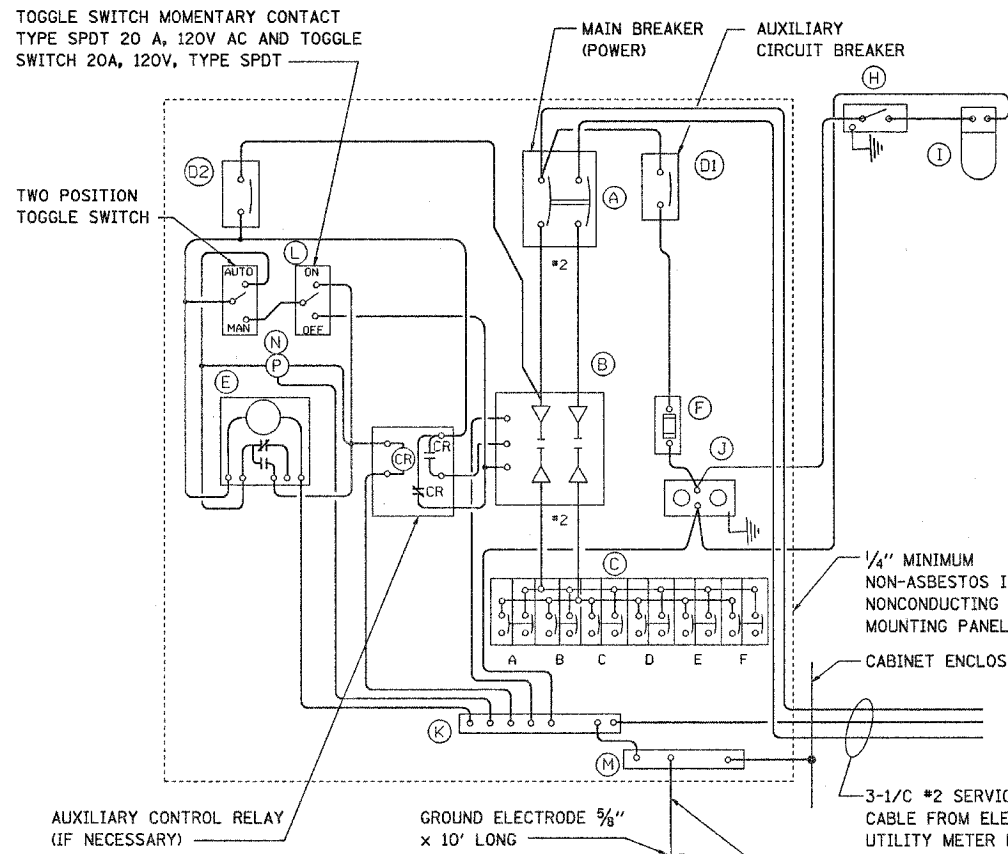
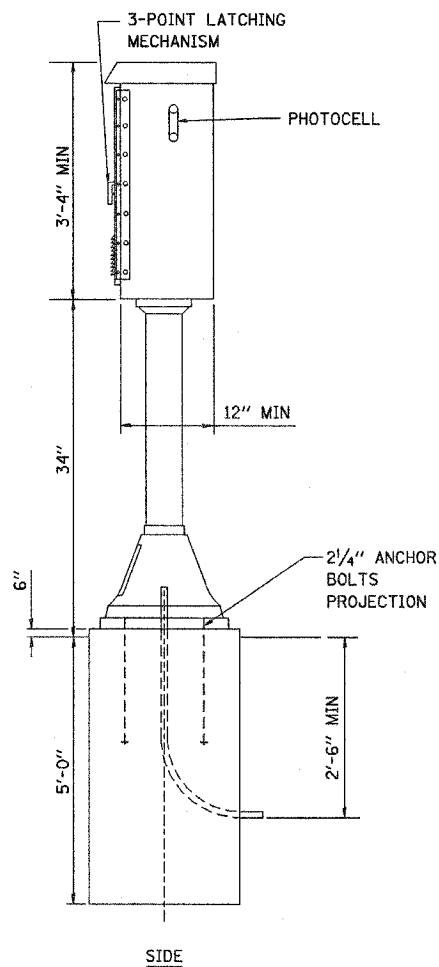
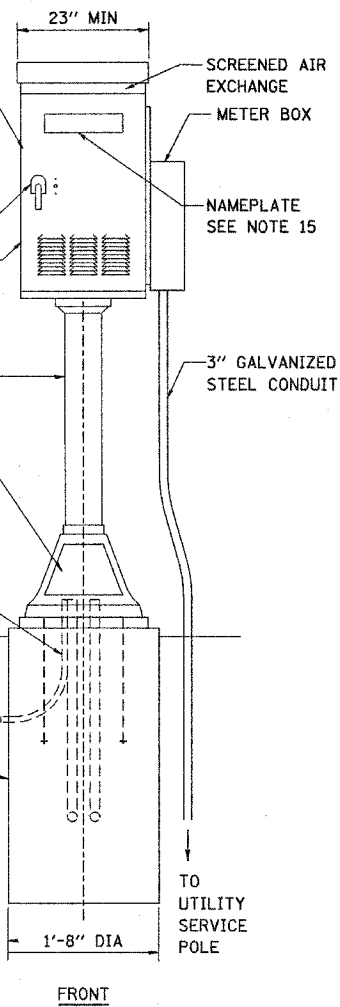


F.A.U. RTE.	SECTION	COUNTY	TOTAL SHEETS	SHEET NO.
2652	00-00069-00-PV	DUPAGE	146	75
STA. 10+70.70		TO STA. 66+16.00		
FED. ROAD DIST. NO.	ILLINOIS	FED. AID PROJECT		
CONTRACT NO. 83781				

.125 INCH TYPE 5052-H32 ALUMINUM ENCLOSURE FOR INSIDE DIMENSION SEE NOTE 1

1/2" DIA. MINIMUM DOOR HANDLE WITH PADLOCK PROVISION SEALED WITH NEOPRENE GASKET
NEMA 3R ENCLOSURE

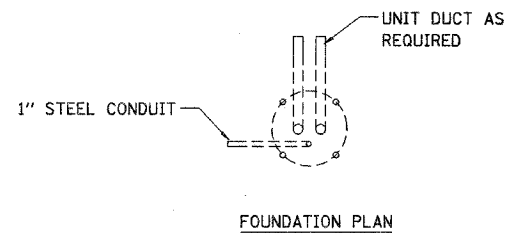
4" RIGID ALUMINUM SCHEDULE 40 CONDUIT STEM ANCHORED TO 356-T6 CAST ALUMINUM PEDESTAL BASE



PANEL WIRING DIAGRAM

NOTES:

- UNLESS OTHERWISE INDICATED, THE CABINET SHALL BE MOUNTED ATOP A 4-INCH RIGID ALUMINUM SCHEDULE 40 CONDUIT STEM ANCHORED TO A CAST ALUMINUM PEDESTAL BASE.
- IN FRONT OF CONTROL CABINET DOOR, REMOVE VEGETATION AND 2" TOP SOIL, LEVEL THE AREA AND ON TOP, PLACE LENGTH WISE PARALLEL TO CONTROL CABINET, A PRECAST CONCRETE PAD 48" x 48" x 4" MIN. SIZE. THE COST OF LABOR AND MATERIALS ARE INCIDENTAL TO CONTROL CABINET - PER SPECIFICATIONS.
- DOOR SHALL BE CONSTRUCTED FROM SAME TYPE OF MATERIAL AND THICKNESS AS CABINET.
- DOOR SHALL BE EQUIPPED WITH THREE POINT LATCHING MECHANISM WITH NYLON ROLLERS AT TOP THE BOTTOM.
- DOOR HINGE SHALL BE A HEAVY GAUGE CONTINUOUS HINGE WITH A 1/4" DIA. STAINLESS STEEL HINGE PIN.
- ALL EXTERNAL HARDWARE SHALL BE STAINLESS STEEL.
- CONTROL WIRING TO BE #12 AWG, 600V, TYPE "SIS" GRAY SWITCH BOARD WIRE, STRANDED COPPER.
- METER BOX SHALL BE MOUNTED ON THE SIDE OF CONTROL CABINET, NEAR TO THE SERVICE POLE.
- PEDESTAL SHALL BE POWDER COATED A DARK BRONZE TO MATCH THE LIGHT POLES
- THE HEADS OF CONNECTORS SCREWS SHALL BE PAINTED WHITE FOR NEUTRAL BAR CONNECTION AND GREEN FOR GROUND BAR CONNECTORS
- ALL WIRING WITHIN THE CABINET SHALL BE COLOR CODED AS INDICATED.
R = RED BL = BLUE W = WHITE
B = BLACK Y = YELLOW G = GREEN
- PROVIDE SEALING GROMMETS FOR ALL OPEN WIRING EXTENDED FROM DEVICES IN BOXES OR CABINETS WITHIN THE CONTROL CABINET.
- ALL WIRING SHALL BE NEATLY DRESSED AND SUPPORTED.
- THE CONTROLLER SHALL BE CONSTRUCTED TO U.L. STD. 508 AND BEAR THE U.L. LABEL "ENCLOSED INDUSTRIAL CONTROL PANEL"
- 12" X 16" STAINLESS STEEL EXTERIOR NAMEPLATE SHALL BE ENGRAVED TO "VILLAGE OF VILLA PARK LIGHTING CONTROLS" UNLESS OTHERWISE SPECIFIED



CONTROL CABINET

PANEL EQUIPMENT

BILL OF MATERIAL			BILL OF MATERIAL		
ITEM	QUANTITY	DESCRIPTION	ITEM	QUANTITY	DESCRIPTION
A	1	MAIN CIRCUIT BREAKER, 2 POLE, 600 VOLT 100AMP. BASE, 60AMP. NON-INTERCHANGEABLE TRIP INTERRUPTING RATING NEMA-22000 AMP. AT 240 VOLT.	F	1	20 A., 120 V. FUSE.
B	1	REMOTE CONTROL SWITCH, ELECTRICALLY OPERATED, MECHANICALLY HELD, 2 POLE, SINGLE THROW, 60 AMP., 600 VOLTS CONTROL CIRCUIT 120 VOLT, ASCO 920.	G		UNUSED
C	6	CIRCUIT BREAKERS, 2 POLE, 277V., 100AMP. BASE 15 AMP. NON-INTERCHANGEABLE TRIP INTERRUPTING RATING NEMA-10,000 AMP. AT 240 V.	H	1	SPST 20A SWITCH ON DOOR, TO TURN LIGHT ON WHEN DOOR IS OPEN.
D1	1	CONTROL CIRCUIT-CIRCUIT BREAKER. 2 POLE, 240 V., 100AMP. BASE, 15AMP. NON-INTERCHANGEABLE TRIP INTERRUPTING RATING NEMA-10,000 AMP. AT 240 V.	I	1	INCANDESCENT LIGHTING FIXTURE ENCLOSED AND GASKETED WITH 60 WATT, 120 V. LAMP.
D2	1	CONTROL CIRCUIT-CIRCUIT BREAKER. 1 POLE, 240 V., 100AMP. BASE, 15AMP. NON-INTERCHANGEABLE TRIP INTERRUPTING RATING NEMA-10,000 AMP. AT 240 V.	J	1	20 A., 120 V., DUPLEX RECEPTACLE, GFCI.
E	1	ASTRONOMIC MICROPROCESSOR-BASED 2-CHANNEL CONTROLLER (TIME SWITCH).	K	1	COPPER GROUND BUS 1/4" X 1" X 12" LONG MOUNTED ON PANEL WITH LUGS AND 4 SPARE LUGS
			L	1	TOGGLE SWITCHES MOUNTED IN 4" X 4" BOX.
			M	1	COPPER GROUND BUS 1/4" X 1" X 12" LONG MOUNTED ON PANEL WITH LUGS AND SPARE LUGS
			N	1	EXTERNALLY - MOUNTED PHOTOCELL OPERATED ON 120V

REGISTERED PROFESSIONAL ENGINEER
ERNEST E. LEAF
062-055760
STATE OF ILLINOIS
EXPIRES 11-30-2005
SIGNATURE AND DATE.

Stanley Consultants INC.
850 West Higgins Road
Suite 302
Chicago, Illinois 60631-2801 Illinois Firm Registration No. 04-00533

REVISIONS	
NAME	DATE

VILLAGE OF VILLA PARK, ILLINOIS

**LIGHTING DETAILS
SHEET 1 OF 2**

SCALE: NONE DRAWN BY: E.D.
DATE: 11-NOV-2004 CHECKED BY: J.T.G.