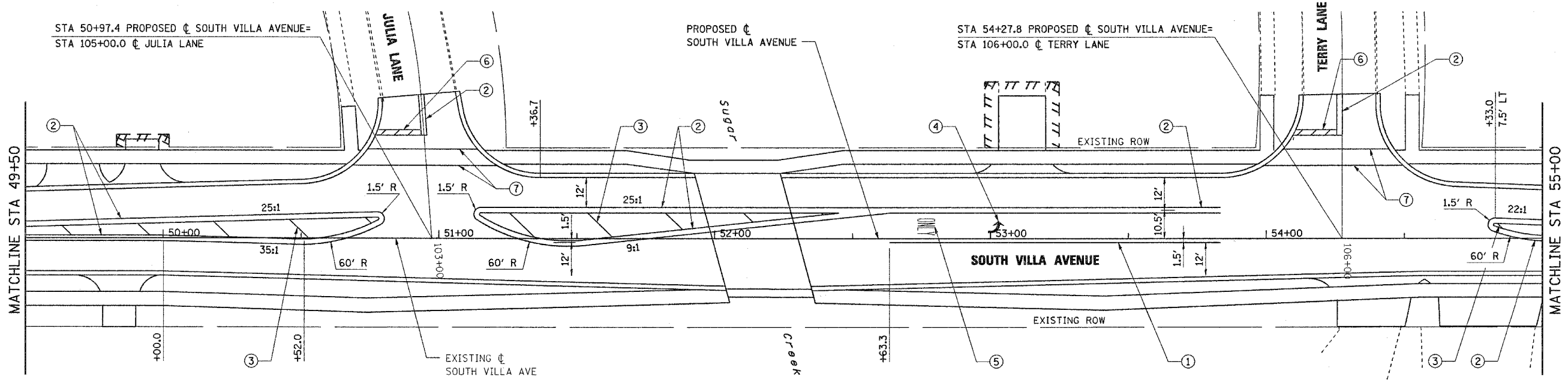
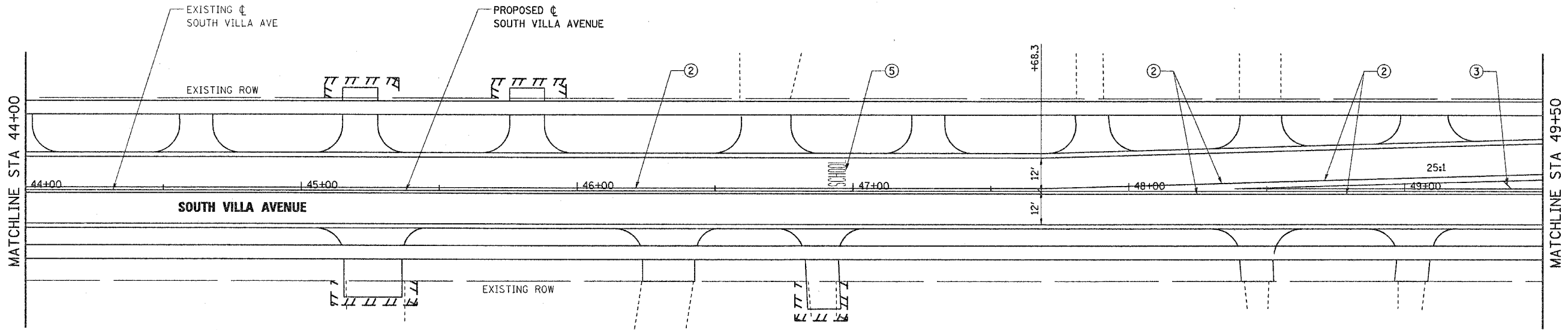
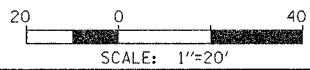


F.A.U. RTE.	SECTION	COUNTY	TOTAL SHEETS	SHEET NO.
2652	00-00069-00-PV	DUPAGE	146	72
STA. 10+70.70		TO STA. 66+16.00		
FED. ROAD DIST. NO.		ILLINOIS FED. AID PROJECT		
CONTRACT NO. B3781				



LEGEND:

- | | |
|--|--|
| ① 4" WHITE, POLYUREA PAVEMENT MARKING LINE | ⑤ WHITE, LETTERS, POLYUREA PAVEMENT MARKING |
| ② 4" DOUBLE YELLOW, POLYUREA PAVEMENT MARKING LINE | ⑥ 24" WHITE, POLYUREA PAVEMENT MARKING LINE |
| ③ 12" YELLOW @ 45° SKEW, 30 FT C-C, POLYUREA PAVEMENT MARKING LINE | ⑦ 6" WHITE, POLYUREA PAVEMENT MARKING LINE |
| ④ WHITE, TURN ARROW, POLYUREA PAVEMENT MARKING | ⑧ 4" SINGLE YELLOW, POLYUREA PAVEMENT MARKING LINE |



REVISIONS	
NAME	DATE

Stanley Consultants Inc.
 850 West Higgins Road
 Suite 730
 Chicago, Illinois 60637-2804
 Illinois Firm Registration No. 184-00533

VILLAGE OF VILLA PARK, ILLINOIS
PAVEMENT MARKING
SOUTH VILLA AVENUE
SHEET 4 OF 5
 STA 44+00 TO STA 55+00

SCALE: 1"=20'
 DATE: 11-NOV-2004
 DRAWN BY: E.D.
 CHECKED BY: J.T.G.

DATE	
BY	
SURVEYED	
ALIGNED	
CHECKED	
PT. OF WAY CHECKED	
PAID FILE NAME	
PLAN	
NOTE BOOK	
NO.	

DATE	
BY	
SURVEYED	
GRADES CHECKED	
S.M. NOTED	
STRUCTURE NOTATIONS	
PROFILE	
NOTE BOOK	
NO.	