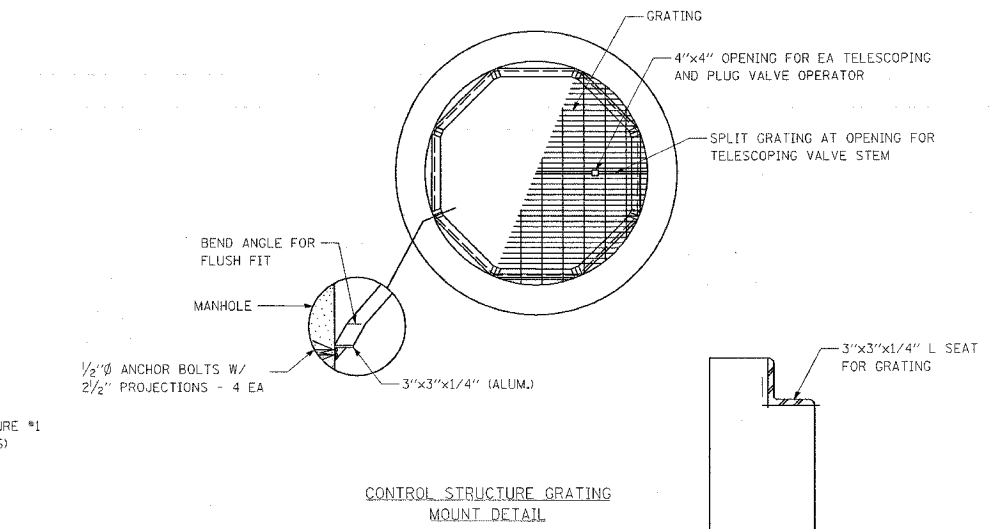
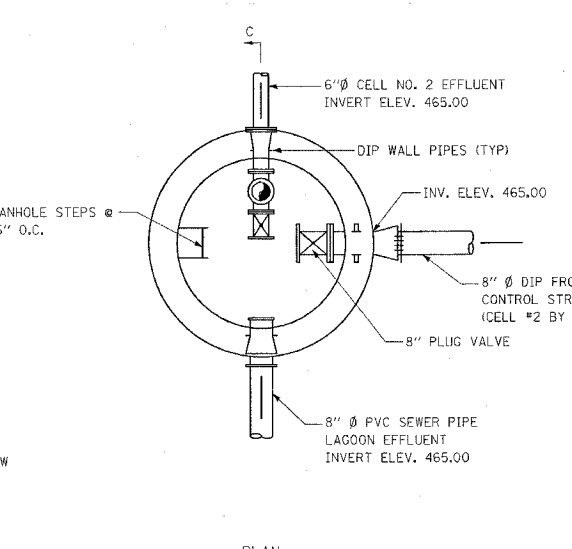
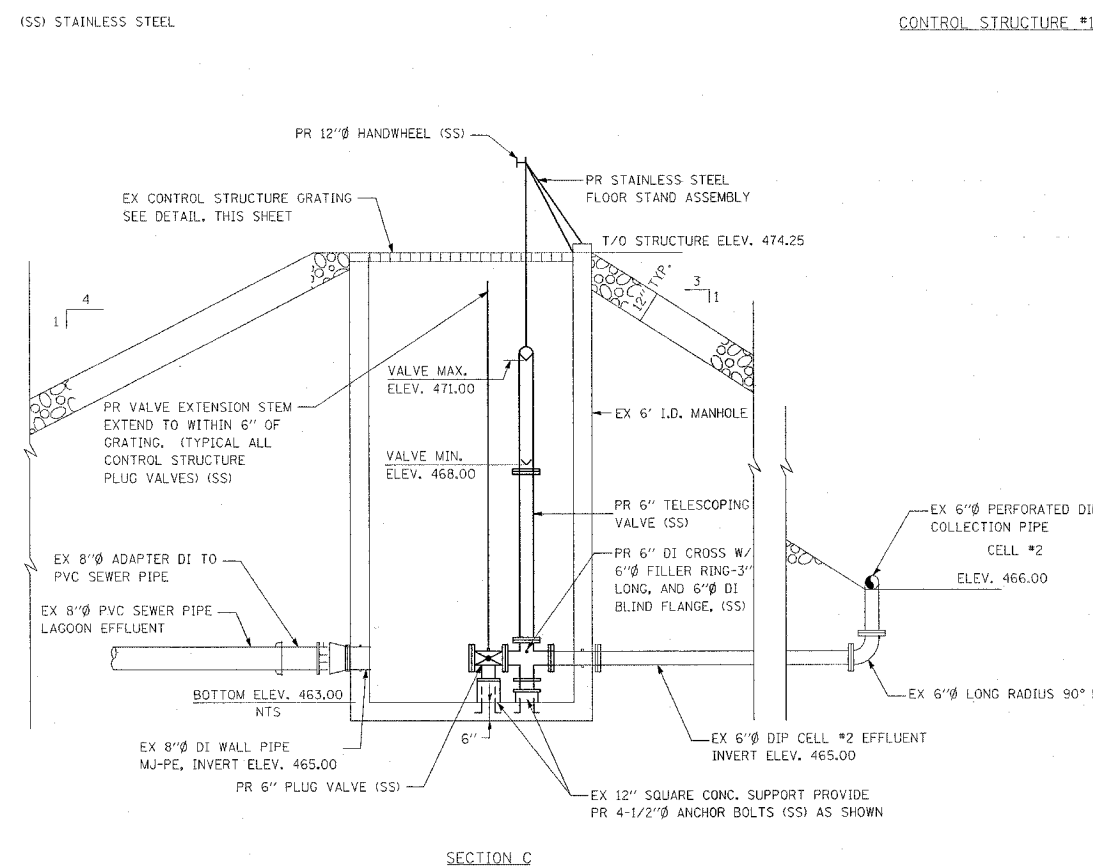
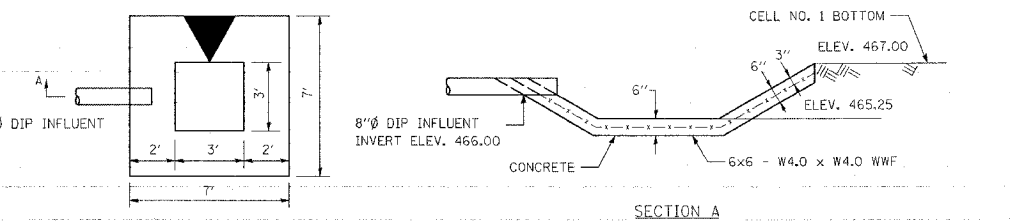
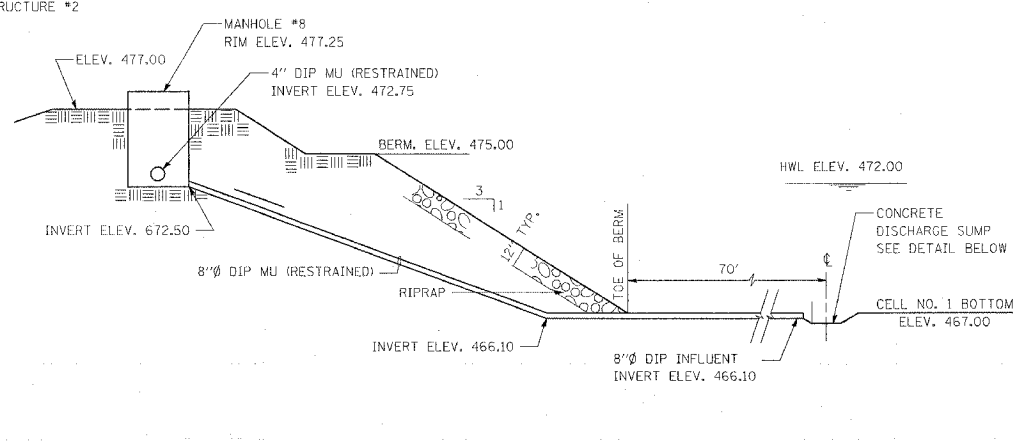
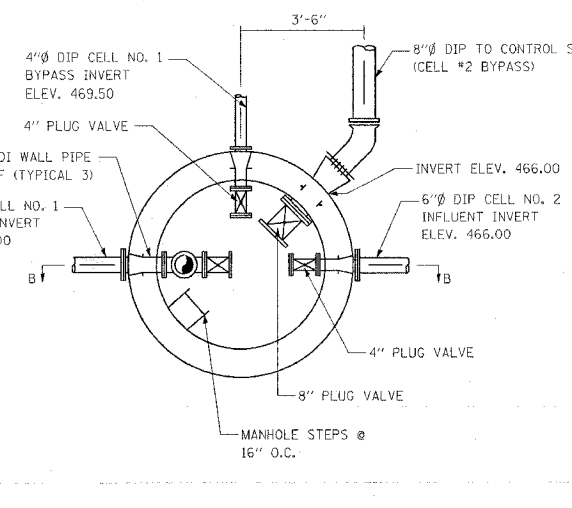
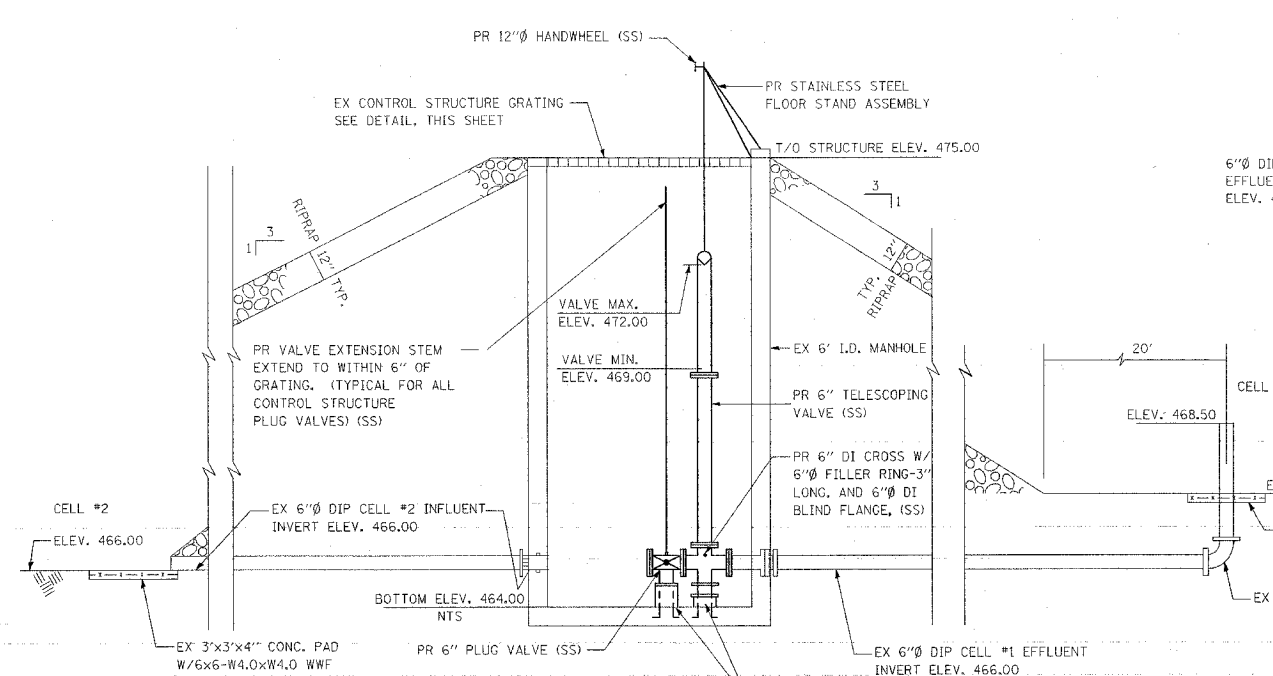


FAI ROUTE	SECTION	COUNTY	TOTAL SHEETS	SHEET NO.
64	82-9RA-1-2	ST. CLAIR	4	4
STA.		TO STA.		
CONTRACT NO.: 76895				

DATE	BY	REVISION
3/31/2005		



DRAWINGS NOT TO SCALE

REVISIONS	NAME	DATE

ILLINOIS DEPARTMENT OF TRANSPORTATION

INFLUENT & CONTROL STRUCTURE DETAILS

FAI ROUTE 64

SECTION 82-9RA-1-2

ST. CLAIR COUNTY

DRAWN BY:

PLOT DATE: 3/31/2005

DATE: 3/31/2005
 3:31:2005
 REF