

STATE OF ILLINOIS
DEPARTMENT OF TRANSPORTATION

SHEET 1
OF 6

F.A.I. RTE.	SECTION	COUNTY	TOTAL SHEETS	SHEET NO.
64	82-7RS-1, 82-7HB-1, 21	ST. CLAIR	89	81
FED. ROAD DIST. NO.	ILLINOIS	FED. AID PROJECT	CONTRACT NO. 76813	

INDEX OF SHEETS

Sheet No.	Description
1	Gen Plan, Gen Notes & Total Bill of Mat'l
2	Deck Plan (SB)
3	Deck Plan (NB)
4	Superstructure
5	Abutment (SB)
6	Abutment (NB)

GENERAL NOTES

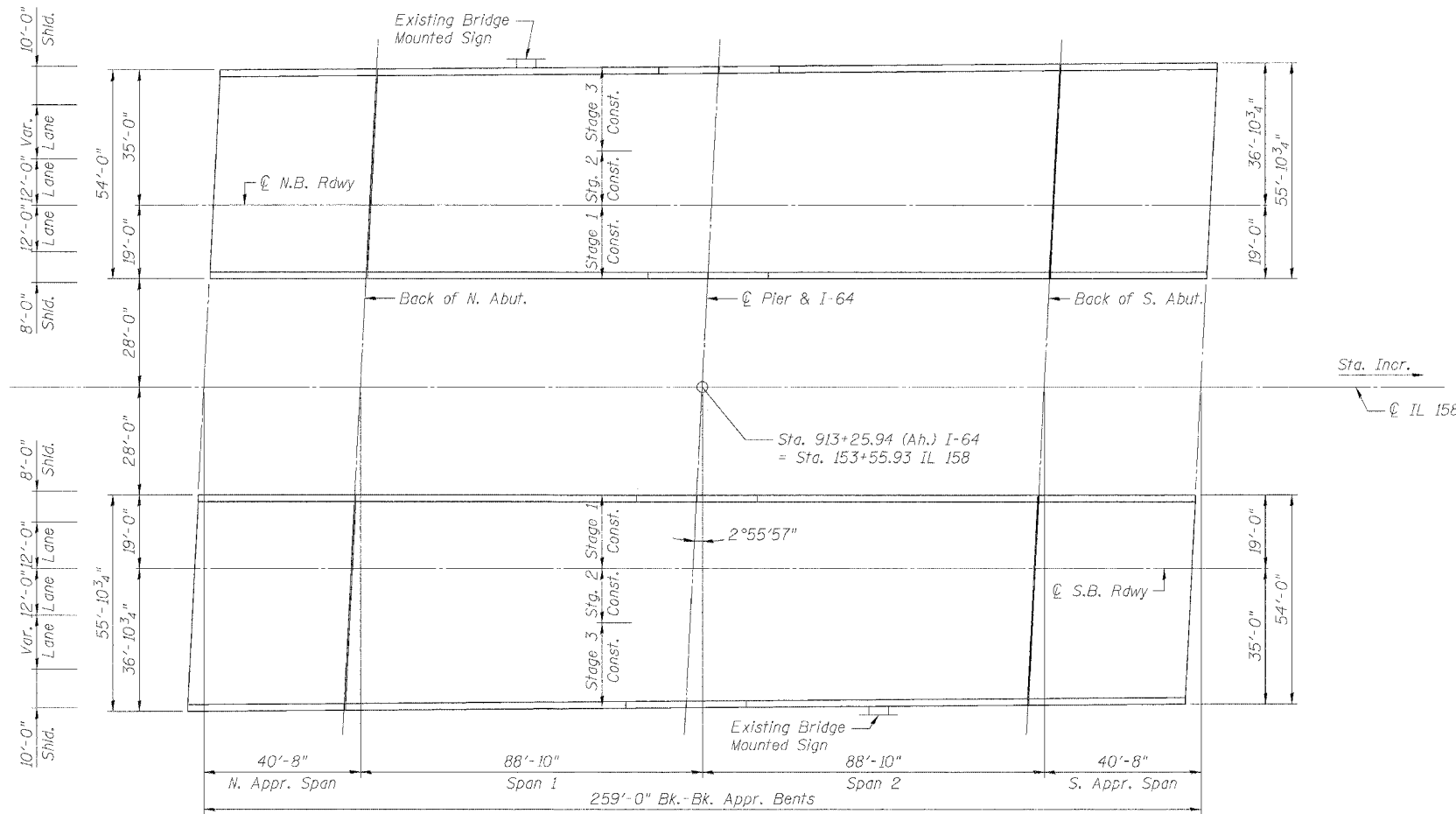
Plan dimensions and details relative to existing structure have been taken from existing plans and are subject to nominal construction variations. It shall be the Contractor's responsibility to verify such dimensions and details in the field and make necessary approved adjustments prior to construction or ordering of materials. Such variations shall not be cause for additional compensation for a change in the scope of the work, however, the Contractor will be paid for the quantity actually furnished at the unit price for the work.

Reinforcement bars shall conform to the requirements of AASHTO M31 or M322 Grade 60. Reinforcement bars designated (E) shall be epoxy coated.

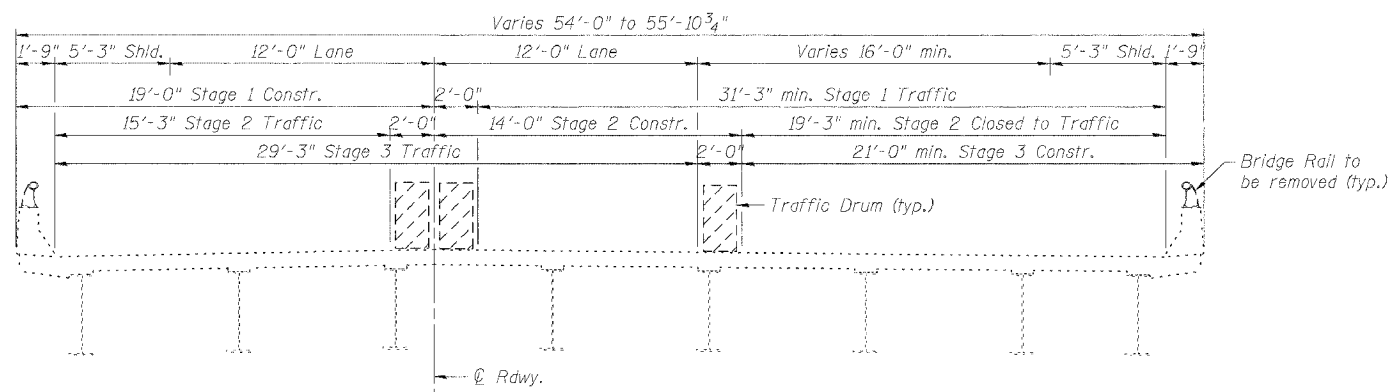
All epoxy grouted bars shall have a minimum embedment as shown on the plans and shall be placed according to Section 5B4 of the Standard Specifications. Cost of hole drilling and epoxy grouting is included with "Reinforcement Bars, Epoxy Coated".

All construction joints shall be bonded.

A Concrete Sealer shall be applied to the surfaces of the deck and parapets (See Special Provisions for BRIDGE DECK CONCRETE SEALER).



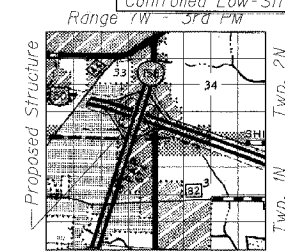
PLAN



CROSS SECTION
(NB Bridge Looking North,
SB Bridge Looking South)

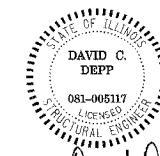
TOTAL BILL OF MATERIAL

ITEM	UNIT	SUPER	SUB	TOTAL
Stone Riprap, Class A1	Ton	--	168	168
Stone Riprap, Class A3	Ton	--	148	148
Filter Fabric For Use With Riprap	Sq Yd	--	600	600
Crack Routing (Pavement)	Foot	220	--	220
Crack Filling	Pound	200	--	200
Bridge Rail Removal	Foot	1016	--	1016
Preformed Joint Seal 2 1/2"	Foot	210	--	210
Concrete Superstructure	Cu Yd	22.6	--	22.6
Formed Concrete Repair (Depth <= 5")	Sq Ft	27	16	43
Reinforcement Bars, Epoxy Coated	Pound	5400	--	5400
Concrete Sealer	Sq Yd	3430	--	3430
Repair And Replace Damaged Conduit	Foot	--	2	2
Controlled Low-Strength Materials (CLSM)	Cu. Yd.	--	1.0	1.0



LOCATION SKETCH

GENERAL PLAN
IL 158 (SB & NB) OVER
INTERSTATE 64
F.A.I. 64 SEC. 82-7RS-1, 82-7HB-1, 21
ST. CLAIR COUNTY
STATION 913+25.94
STRUCTURE NO. 082-0183 & -0184



Signed: David Depp
Date: 3-28-2005
Lic. Expires: 11-30-2006

Johnson, Depp & Quisenberry CONSULTING ENGINEERS Springfield, Illinois			
DESIGNED:	CDB	DRAWN:	SJS
CHECKED:	DCD	CHECKED:	CDB/DCD