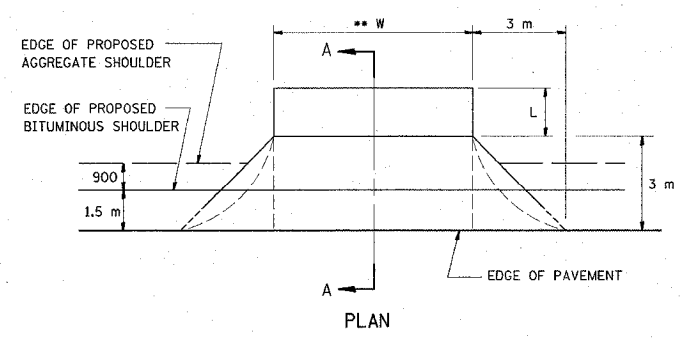


FAP ROUTE	SECTION	COUNTY	TOTAL SHEETS	SHEET NO.
600	51RS-3	*	347	149
STA.	TO STA.			
CONTRACT : 76563				
* ST. CLAIR & MONROE COUNTIES				

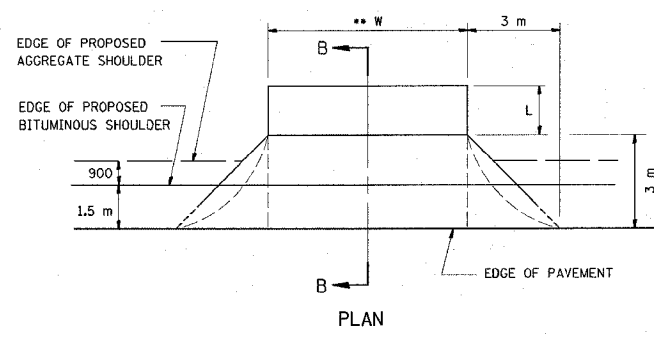
DETAIL OF BITUMINOUS ENTRANCES

W. BITUMINOUS SHOULDERS
COMMERCIAL & PRIVATE ENTRANCES



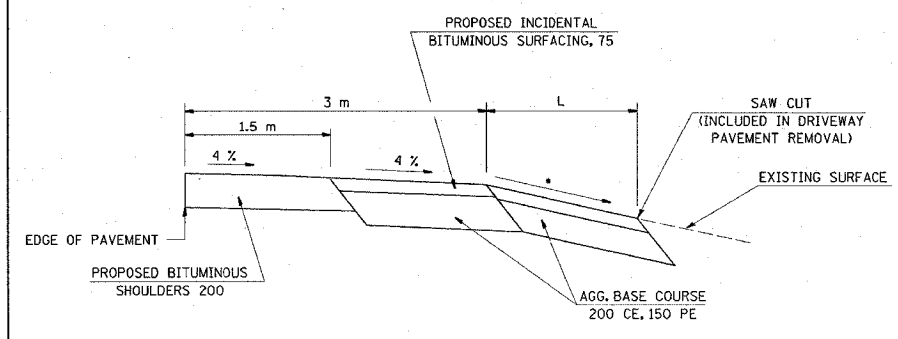
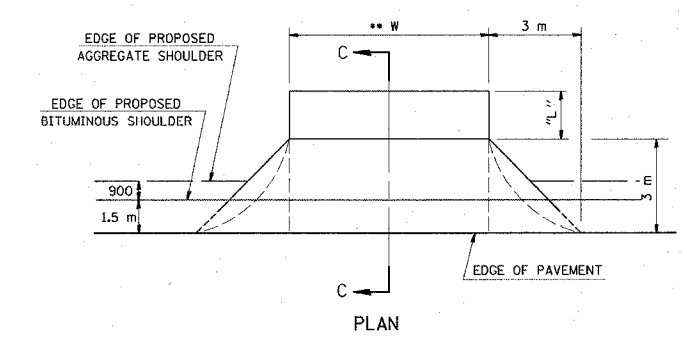
DETAIL OF AGGREGATE ENTRANCES

W. BITUMINOUS SHOULDERS
COMMERCIAL & PRIVATE ENTRANCES

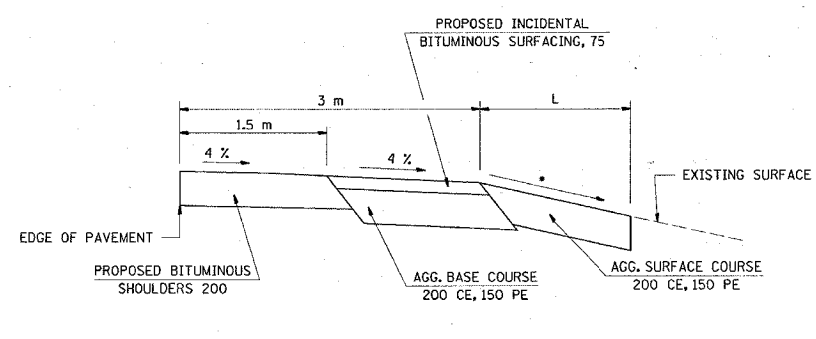


DETAIL OF FIELD ENTRANCES

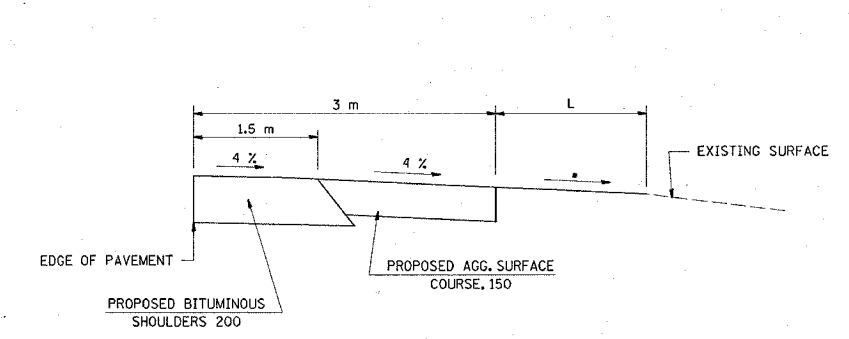
W/ BITUMINOUS SHOULDERS



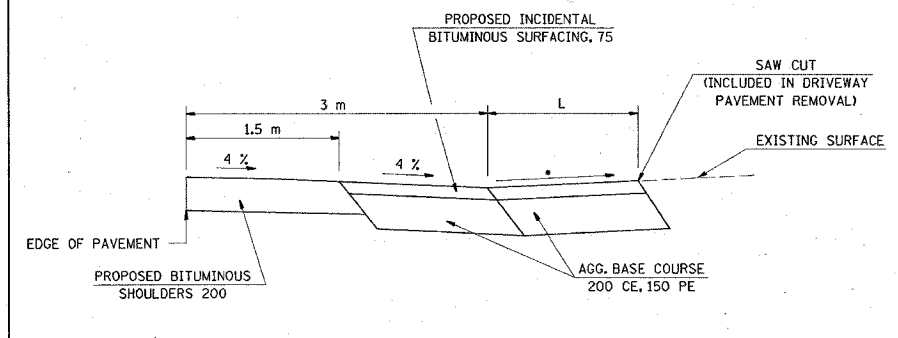
SECTION A-A WITH NEGATIVE GRADE



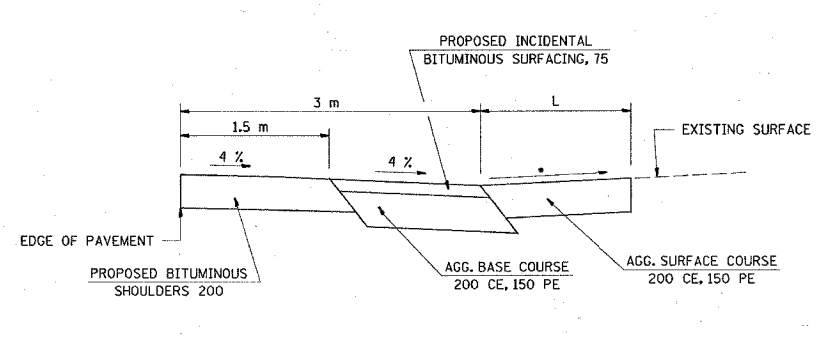
SECTION B-B WITH NEGATIVE GRADE



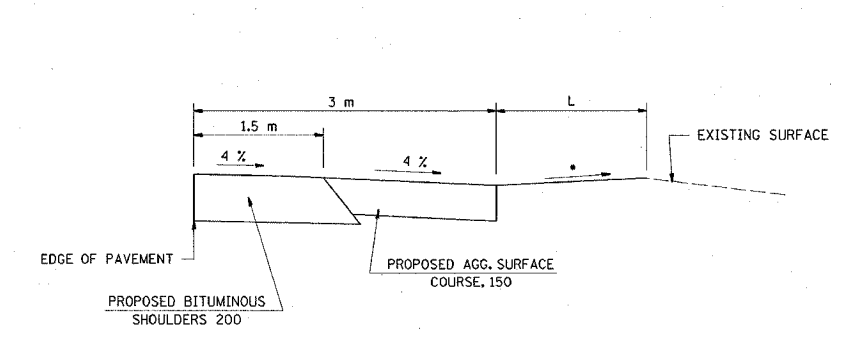
SECTION C-C WITH NEGATIVE GRADE



SECTION A-A WITH POSITIVE GRADE



SECTION B-B WITH POSITIVE GRADE



SECTION C-C WITH POSITIVE GRADE

- SEE CROSS SECTIONS FOR SLOPES
- ALLOWABLE ENTRANCE WIDTHS:
FIELD 6.0 m MIN 9.1 m MAX
PRIVATE 3.6 m MIN 7.2 m MAX
COMMERCIAL 7.2 m MIN 10.7 m MAX
ALLOWABLE ENTRANCE WIDTH SHALL BE INTERPRETED TO BE THE WIDTHS AT THE END OF THE TAPERS.

ALL DIMENSIONS IN mm
OTHERWISE UNLESS NOTED

REVISIONS	
NAME	DATE

ILLINOIS DEPARTMENT OF TRANSPORTATION
ENTRANCE DETAILS

FAP ROUTE 600
SECTION 51RS-3
ST. CLAIR & MONROE COUNTIES

DRAWN BY:

3/29/2005 11:55:42 AM
Tuesday, March 29, 2005 @ 11:55:42 AM
c:\projects\ind389\plan\gendetail.dgn L71-03