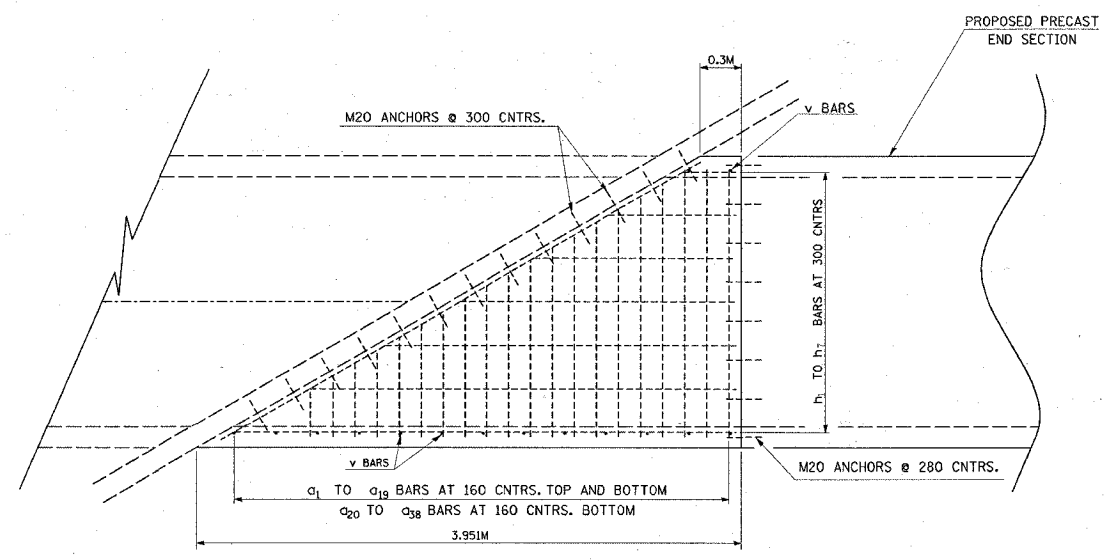
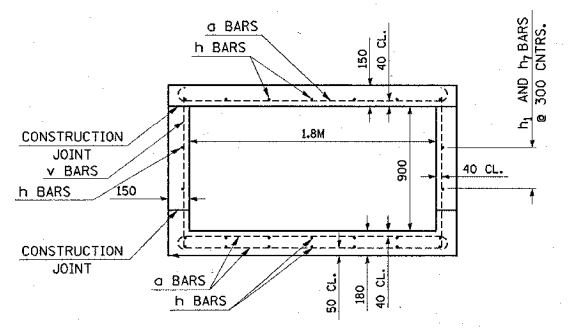


FAP ROUTE	SECTION	COUNTY	TOTAL SHEETS	SHEET NO
600	51RS-3		347	146A
STA.		TO STA.		
CONTRACT : 76563				
* ST. CLAIR & MONROE COUNTIES				

PLAN	SERIALIZED	DATE
NOTE BOOK	PLOTTED	
NO.	BY	
	DATE	
	BY	
	DATE	
	BY	
	DATE	



STA. 23+929.400 EXTENSION DETAILS (LT. & RT.)
SKEWED 60°02'36" RT. AH.

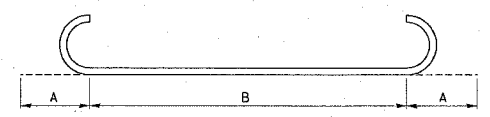


SECTION THRU BARREL

BILL OF MATERIALS

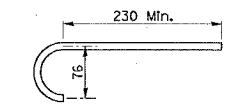
BAR	QUANTITY	SIZE	LENGTH
a1	4	15	4.37
a2	12	15	2.31
a3	4	15	2.18
a4	4	15	8.09
a5	4	15	2.00
a6	4	15	1.91
a7	4	15	1.82
a8	4	15	1.72
a9	4	15	1.63
a10	4	15	1.54
a11	4	15	1.45
a12	4	15	1.35
a13	4	15	1.26
a14	4	15	1.17
a15	4	15	1.07
a16	4	15	0.99
a17	4	15	0.89
a18	4	15	0.80
a19	4	15	0.71
a20	2	15	4.01
a21	3	15	1.95
a22	2	15	1.82
a23	2	15	7.73
a24	2	15	1.64
a25	2	15	1.55
a26	2	15	1.46
a27	2	15	1.36
a28	2	15	1.27
a29	2	15	1.18
a30	2	15	1.09
a31	2	15	0.99
a32	2	15	0.90
a33	2	15	0.81
a34	2	15	0.71
a35	2	15	0.63
a36	2	15	0.53
a37	2	15	0.44
a38	2	15	0.35
h1	10	15	3.64
h2	6	15	3.1
h3	6	15	2.55
h4	6	15	2.01
h5	6	15	1.47
h6	6	15	0.92
h7	10	15	0.38
v	30	15	1.08

CLASS SI CONCRETE 3.76 CU METERS
REINFORCEMENT BARS 571 KG.
M20 ANCHOR BOLTS 92 EACH



a BAR DETAIL

BAR	A	B
	M	MM
a1	4.01	0.18
a2	1.95	0.18
a3	1.82	0.18
a4	7.73	0.18
a5	1.64	0.18
a6	1.55	0.18
a7	1.46	0.18
a8	1.36	0.18
a9	1.27	0.18
a10	1.18	0.18
a11	1.09	0.18
a12	0.99	0.18
a13	0.90	0.18
a14	0.81	0.18
a15	0.71	0.18
a16	0.63	0.18
a17	0.53	0.18
a18	0.44	0.18
a19	0.35	0.18



M20 ANCHOR BOLT DETAIL

ALL DIMENSIONS ARE IN mm UNLESS DESIGNATED OTHERWISE

REVISIONS	
NAME	DATE

ILLINOIS DEPARTMENT OF TRANSPORTATION
BOX CULVERT EXTENSION DETAILS
STA. 23+929.400
FAP ROUTE 600
SECTION 51RS-3
ST. CLAIR & MONROE COUNTIES
DRAWN BY: