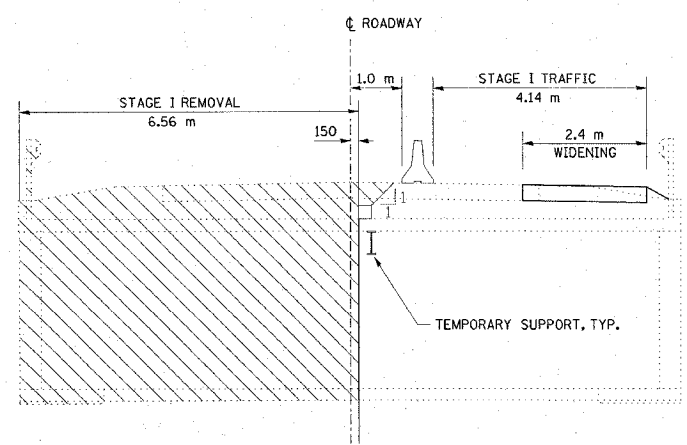
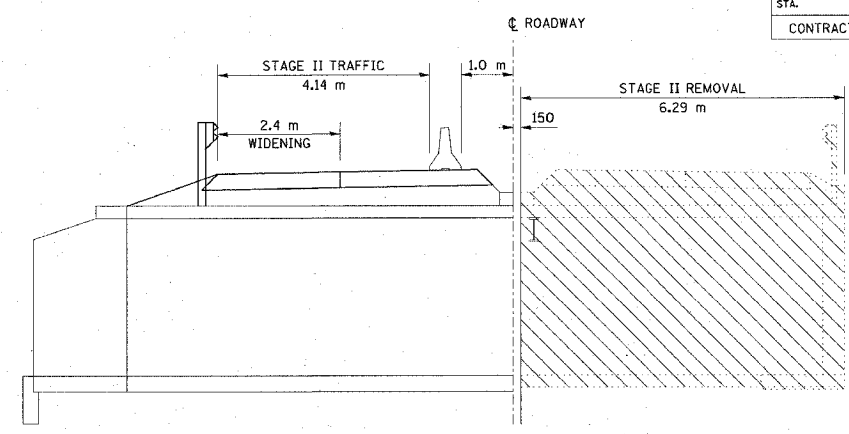


FAP ROUTE	SECTION	COUNTY	TOTAL SHEETS	SHEET NO.
600	5IRS-3	ST. CLAIR	347	139
STA.		TO STA.		
CONTRACT : 76563				

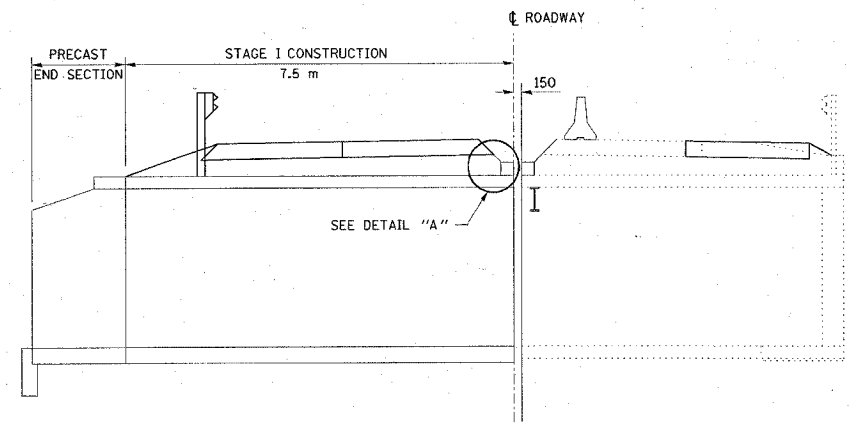
SHEET #2 OF 2.



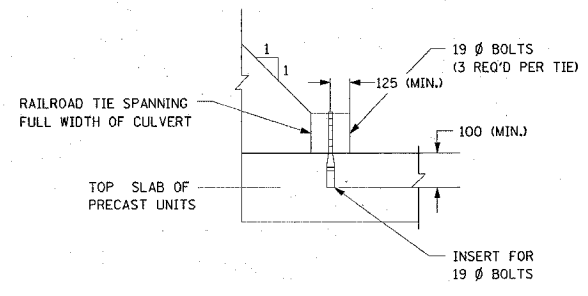
STAGE I REMOVAL & TRAFFIC



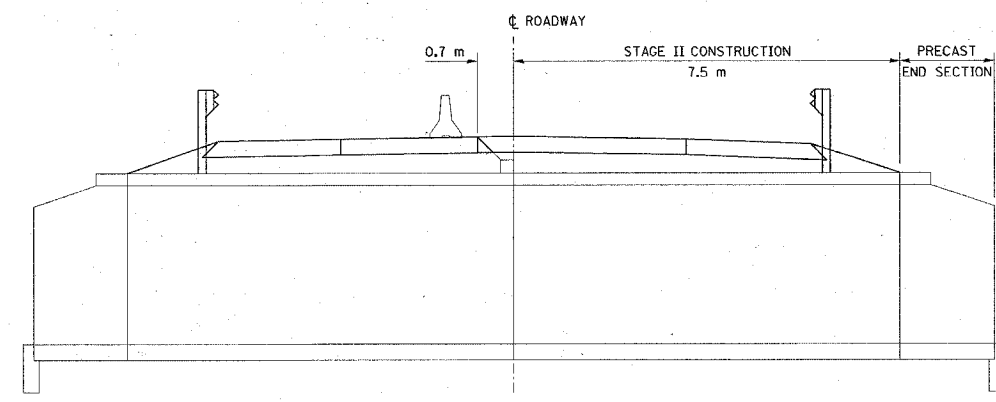
STAGE II REMOVAL & TRAFFIC



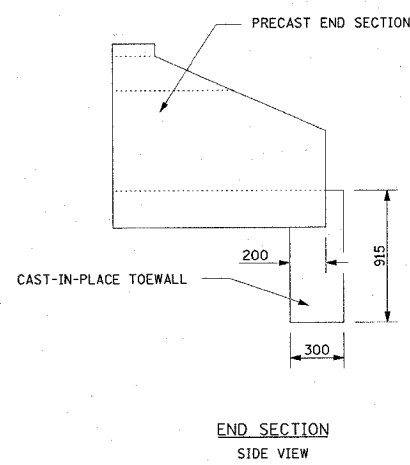
STAGE I CONSTRUCTION & TRAFFIC



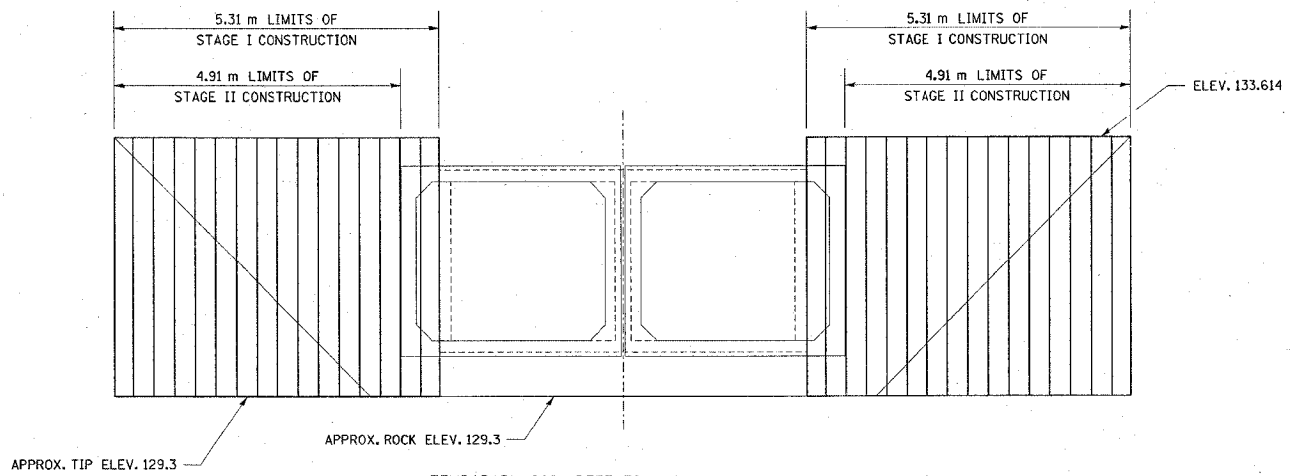
DETAIL "A"  
COST INCLUDED WITH  
"PRECAST CONCRETE BOX CULVERTS"



STAGE II CONSTRUCTION & TRAFFIC



END SECTION  
SIDE VIEW



TEMPORARY SOIL RETENTION SYSTEM DETAILS  
DIMENSIONS ARE MEASURED PARALLEL TO ROADWAY

NOTE:  
IT APPEARS THAT A CANTILEVERED DESIGN IS NOT FEASIBLE AND A WALE RESTRAINT OR OTHER SYSTEM WILL BE REQUIRED. THE CONTRACTOR SHALL SUBMIT FULL DESIGN COMPUTATIONS BY A LICENSED STRUCTURAL ENGINEER FOR REVIEW AND APPROVAL. THE COST SHALL BE INCLUDED WITH "TEMPORARY SOIL RETENTION SYSTEM"

NOTES:  
HATCHED AREAS INDICATE "REMOVAL OF EXISTING STRUCTURES".  
FOR DETAILS OF TEMPORARY CONCRETE BARRIER, SEE SHEET #140 OF 347.  
ALL DIMENSIONS ARE AT RT. ANGLE'S TO ROADWAY UNLESS NOTED OTHERWISE.  
ALL CROSS SECTIONS ARE LOOKING NORTH.  
FOR EXISTING PLAN, SEE SHEET #137 OF 347.

ALL DIMENSIONS ARE IN mm UNLESS DESIGNATED OTHERWISE

REVISIONS	
NAME	DATE

ILLINOIS DEPARTMENT OF TRANSPORTATION  
STAGE CONSTRUCTION DETAILS  
SN 082-2041  
STA 24+287.521  
FAP ROUTE 600  
SECTION 5IRS-3  
ST. CLAIR COUNTY

DRAWN BY:

PLOT DATE: Tuesday March 29, 2005 @ 3:09:49 PM

PLAN	SURVEYED	DATE
NO. _____	BY _____	_____
NO. _____	DATE _____	_____
NO. _____	DATE _____	_____
NO. _____	DATE _____	_____

3/29/2005 3:09:49 PM  
Tuesday, March 29, 2005 @ 3:09:49 PM  
c:\projects\mtd\385\plan\bas\1016.dgn LV11-63