

F.A.P. RTE.	SECTION	COUNTY	TOTAL SHEETS	SHEET NO.
726		JEFFERSON	10	9
STA.		TO STA.		
FED. ROAD DIST. NO.		ILLINOIS FED. AID PROJECT		

D-7 JOINT REPAIRS 2005-1

GENERAL NOTES

Continuous Seal Neoprene Expansion Joint shall consist of molded anchor blocks of elastomer and steel, field assembled over continuous lengths of elastomeric membrane.

The elastomeric membrane shall be premolded with a single or a double upward convolution that will have a "memory" to return to its molded position upon joint closure.

The convolution length shall be such that the extended length will not be greater than the manufactured length when the joint is fully expanded in its design range and will not protrude above the anchor blocks when the joint is fully compressed.

Joint openings shall be adjusted according to Article 503.10(c) of the Standard Specifications when the deck is poured at an ambient temperature other than 50° F.

The parapet and roadway membrane shall be made continuous by an approved vulcanizing process. Lapping will not be permitted.

Joint Size	"C" at 50°F	"D" at 50°F
2"	2"	1 1/2" Min.
2 1/2"	2 1/2"	1 3/4" Min.
4"	3"	2 1/2" Min.

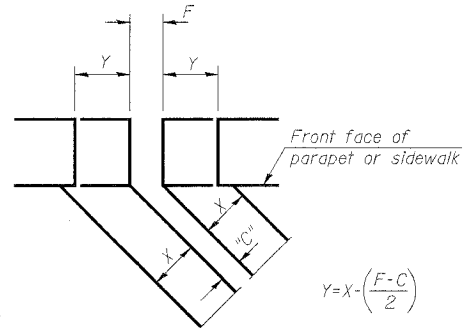
INSTALLATION NOTES

- Install continuous seal in roadway, parapet, curb, and sidewalk.
- Install anchor blocks as indicated.

Note A:
Maximum spacing of anchor bolts shall be 12" centers.

SKREW LIMITATIONS

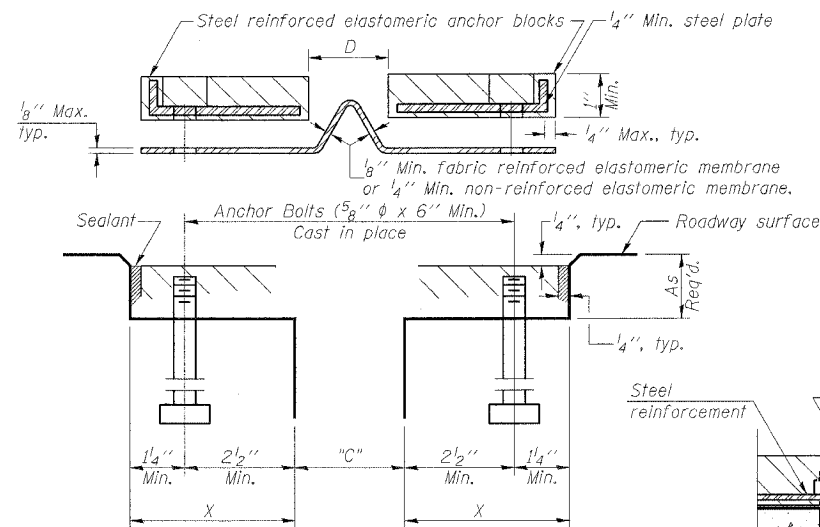
The details of the anchor blocks and the elastomeric membrane in the parapet, as shown, are for up to 50° skews. For skews greater than 50°, the anchor blocks and the elastomeric membrane, installed according to dimension "D", might require modifications to insure a minimum clearance of 1/2" from centerline of anchor studs to edge of parapet opening. The anchor blocks and the elastomeric membrane shall also be installed to the top of the parapet with the anchor studs spaced at ±12" cts.



FORMING BLOCKOUT SKETCH

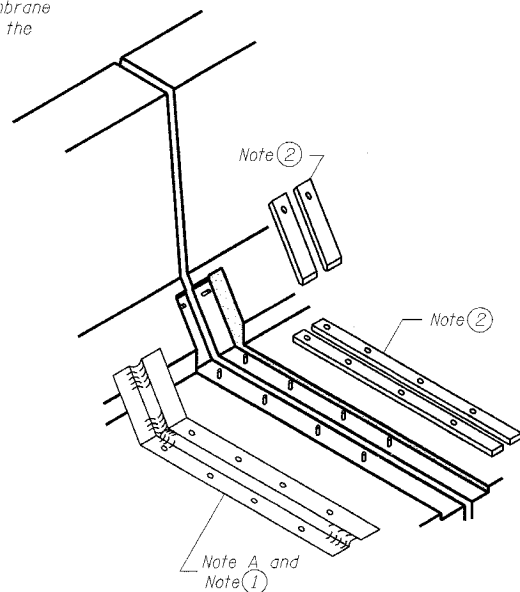
$$Y = X - \left(\frac{F - C}{2} \right)$$

For dimension "F" see sheet # 7-8

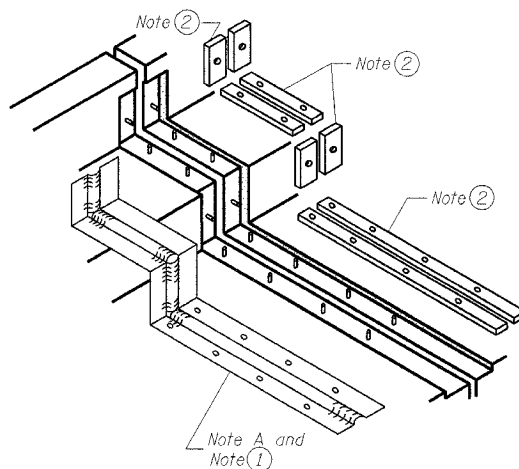


CROSS SECTION

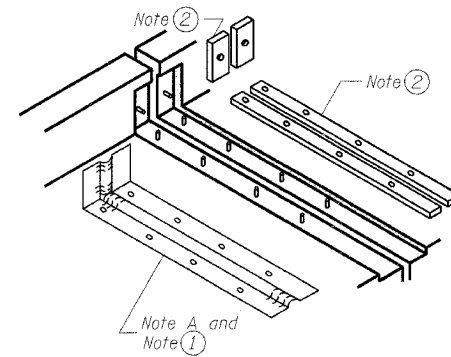
ANCHOR BLOCK WITH ASPHALT SURFACE



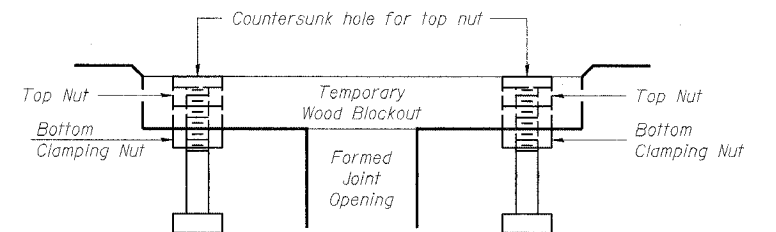
AT PARAPET



AT SIDEWALK OR MEDIAN



AT WALL

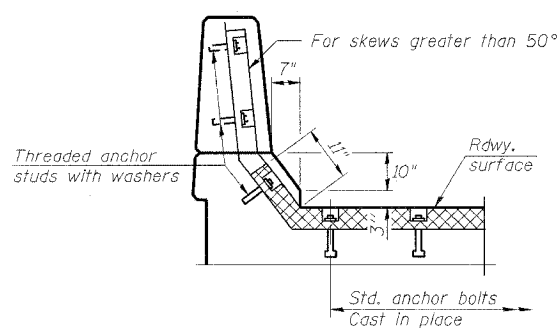


RECOMMENDED BLOCKOUT DETAIL

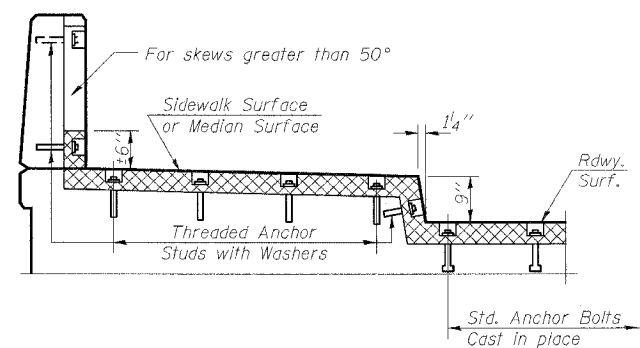
Note:
Stud needs to be threaded lower to allow for use of clamping nut.

Anchor studs should be stainless

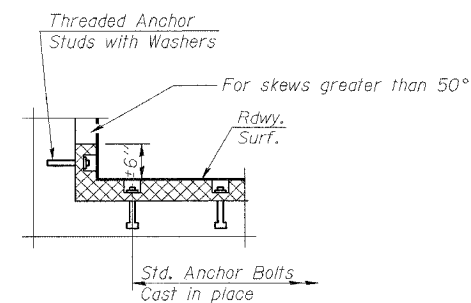
CONTINUOUS SEAL TYPE NEOPRENE EXPANSION JOINTS



AT PARAPET



AT SIDEWALK OR MEDIAN TYPICAL END TREATMENTS



AT WALL

REVISIONS		ILLINOIS DEPARTMENT OF TRANSPORTATION	
NAME	DATE		

CONTINUOUS SEAL TYPE NEOPRENE EXPANSION JOINTS STR #041-0096

SCALE: VERT. HORIZ. DATE DRAWN BY CHECKED BY

steffernmk
 3/29/2005
 c:\projects\74073\d05404pa.dgn
 EJCS

PLOT DATE = 3/29/2005
 FILE NAME = #FILES
 PLOT SCALE = #SCALE
 REFERENCE = #REFS