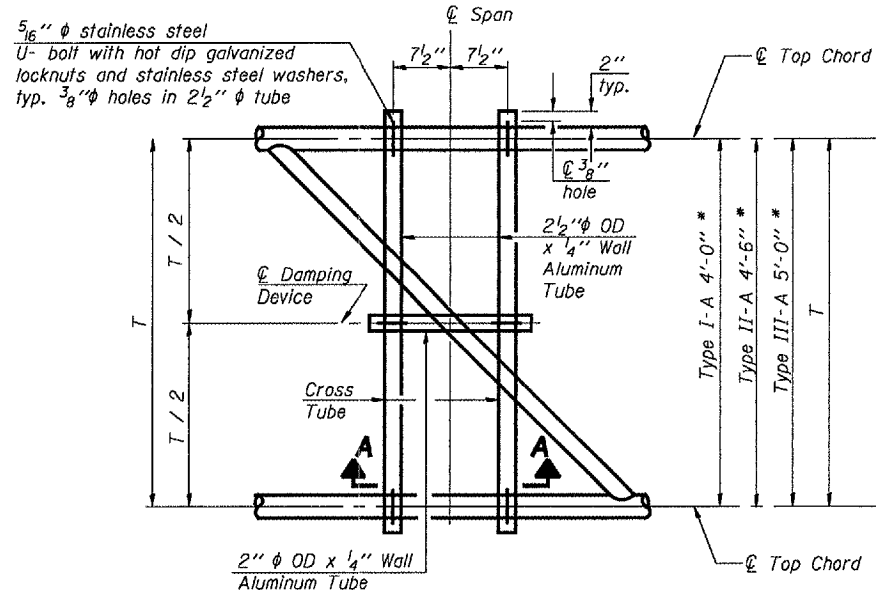


STATE OF ILLINOIS
DEPARTMENT OF TRANSPORTATION

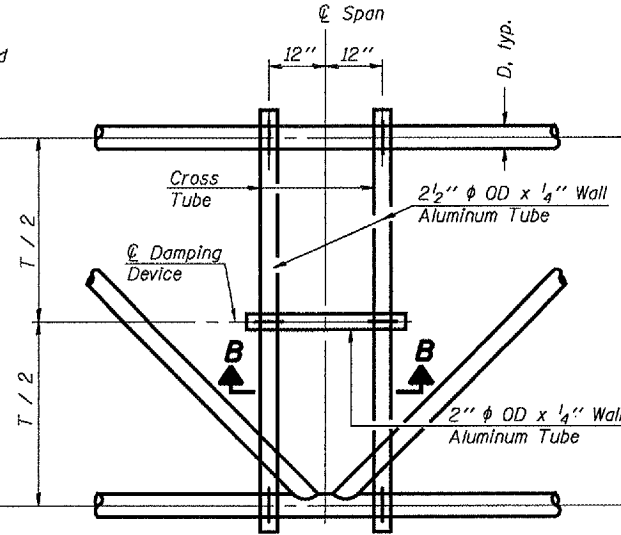
* Center of horizontal to center of splice dimension may vary. Verify before drilling holes in mounting tube.

ROUTE NO.	SECTION	COUNTY	DATE	SHEET	SHEET NO.
F.A.I. 55	D-6 ITS #1	SANGAMON		44	- SHEETS
FED. ROAD DIST. NO. 7	ILLINOIS	FED. AID PROJECT-			

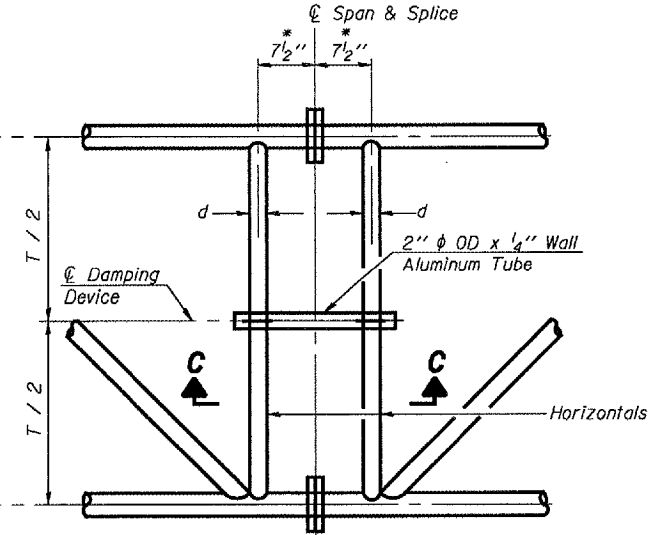
Contract #



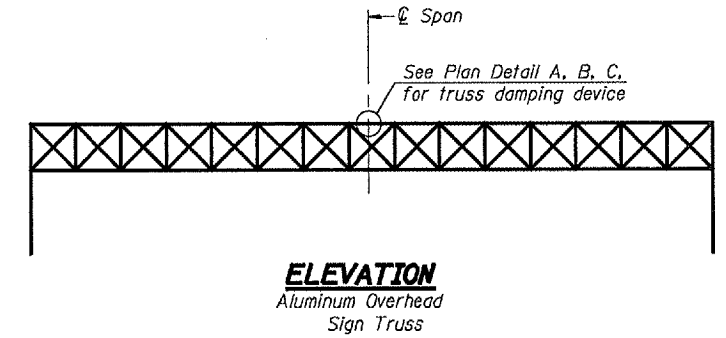
PLAN DETAIL "A"
Span between Panel Points



PLAN DETAIL "B"
Span at Panel Point

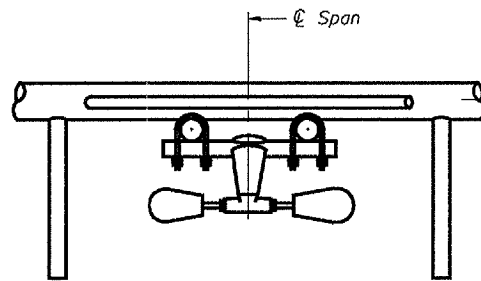


PLAN DETAIL "C"
Span at Chord Splice

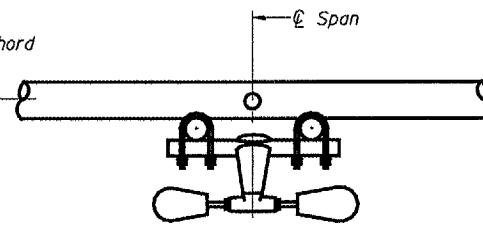


ELEVATION
Aluminum Overhead Sign Truss

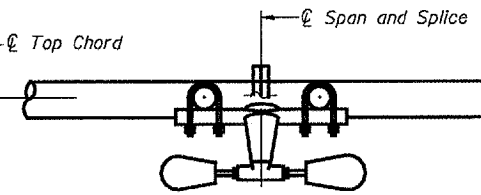
NOTES
Damper: One damper per truss.
(31 lbs. Stockbridge-Type Aluminum)
Cost included in Overhead Sign Structure...
Materials: Aluminum tubes shall be ASTM B221 alloy 6061 temper T6. Cost included in Overhead Sign Structure...



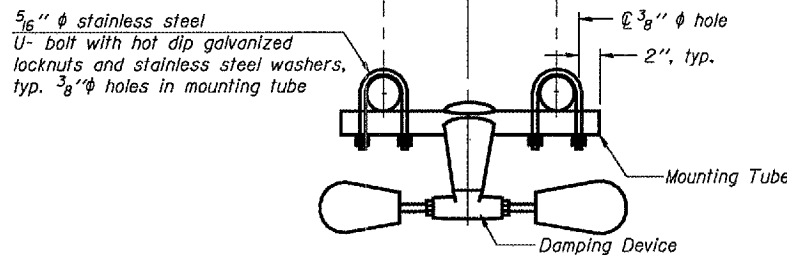
SECTION A-A



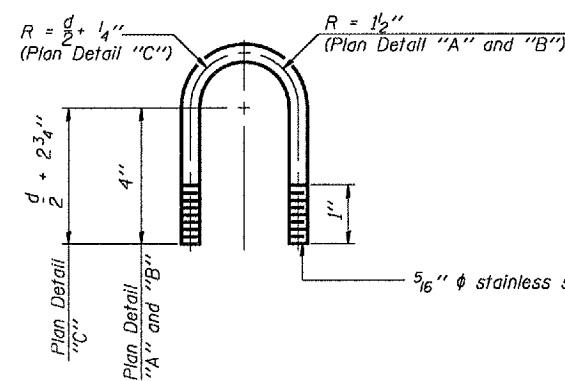
SECTION B-B



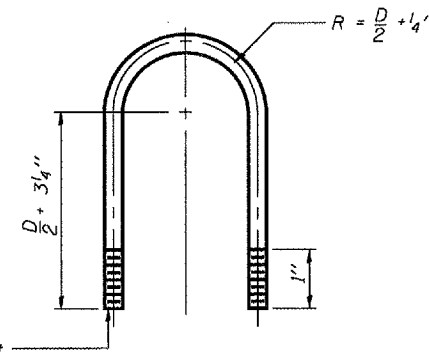
SECTION C-C



TRUSS DAMPING DEVICE CONNECTION DETAIL
(Typical)



DAMPING DEVICE MOUNTING TUBE U-BOLT DETAIL
(Typical)



TOP CHORD TO CROSS TUBE U-BOLT DETAIL
(Typical - Detail "A" and "B")

DESIGNED -	200
CHECKED -	EXAMINED
DRAWN -	ENGINEER OF BRIDGE DESIGN
CHECKED -	ENGINEER OF BRIDGES AND STRUCTURES

OS-A-D

1-7-05

OVERHEAD SIGN STRUCTURE DAMPING DEVICE

F.A.I. 55 (I-55)
SECTION D-6 ITS #1
SANGAMON COUNTY