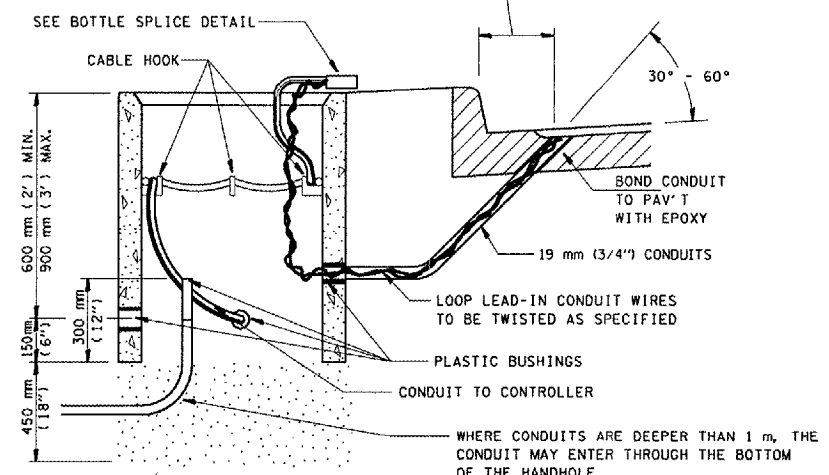


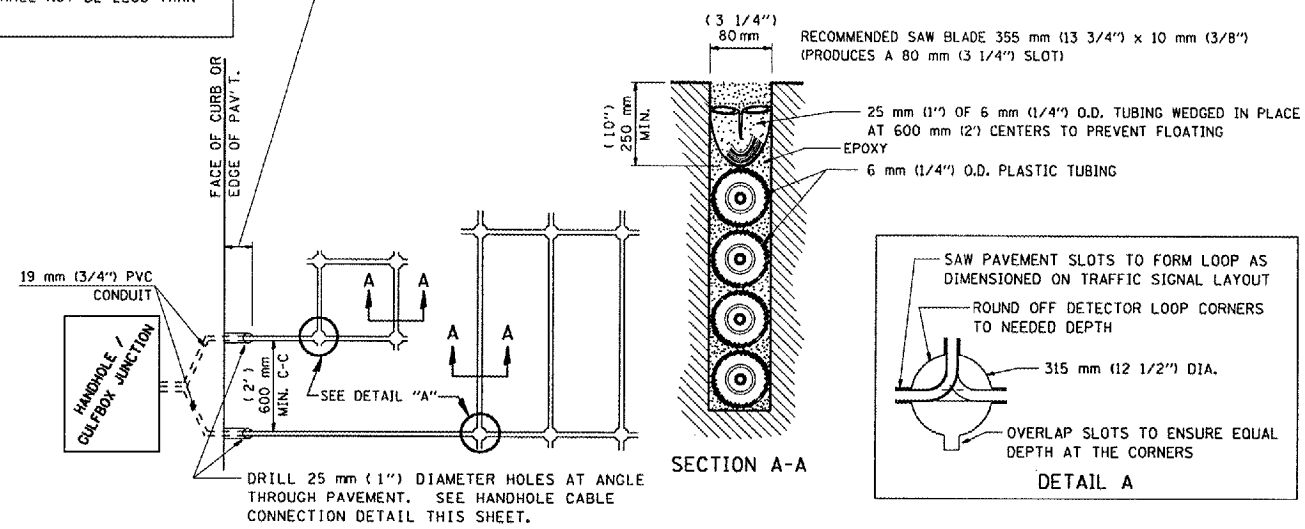
F.A.U. RTE.	SECTION	COUNTY	TOTAL SHEETS	SHEET NO.
8027	12RS-4,TS-1	SANGAMON	31	30
STA.		TO STA.		
FED. ROAD DIST. NO.	ILLINOIS	FED. AID PROJECT		

LENGTH OF SLACK FOR LOOP LEAD-INS SHALL PROVIDE FOR MAKING THE SPLICE ON TOP OF THE HANDHOLE AND ONE COMPLETE LOOP OF THE INTERIOR OF THE HANDHOLE, THE SPLICE SHALL BE SUPPORTED BY A CABLE HOOK.

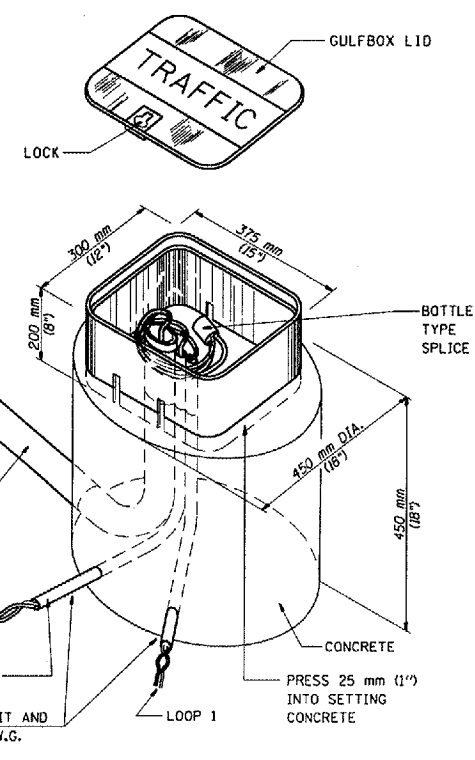
THE LOOP LEAD-IN CONDUIT HOLES SHALL BE PLACED AS CLOSE TO THE CURB AS POSSIBLE TO PERMIT SAW OVERLAP WITHOUT SCARRING FACE OF CURB. IN NON-CURB LOCATIONS THE DISTANCE SHALL NOT BE LESS THAN 150 mm (6").



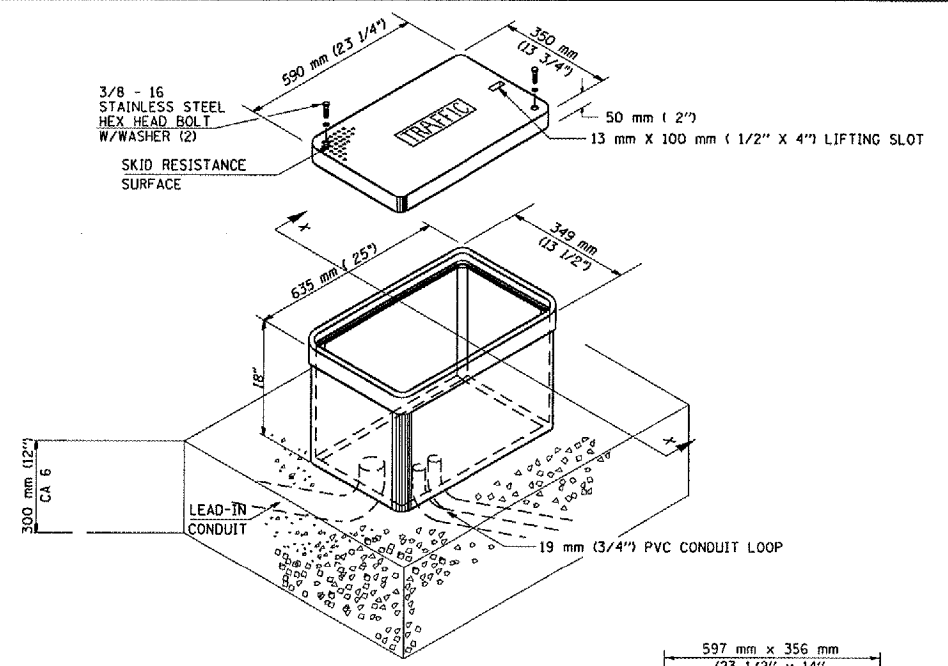
HANDHOLE CABLE CONNECTIONS



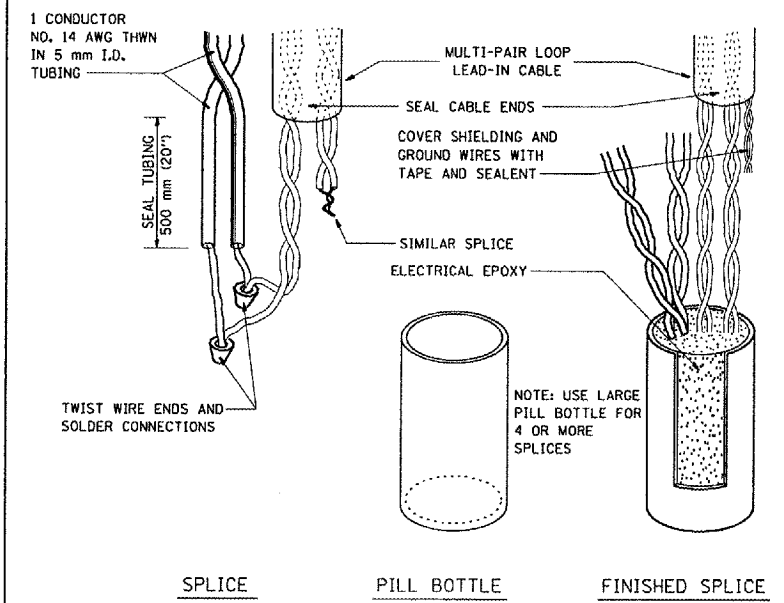
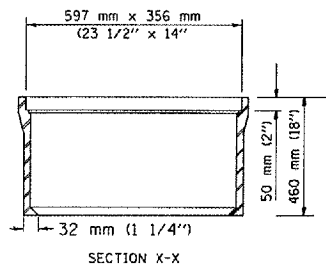
PAVEMENT SAWING DETAIL FOR TUBE ENCASED DETECTOR LOOP WIRE



GULFBOX JUNCTION DETAIL (SHOWING CONNECTION OF TUBE-ENCASED DETECTOR LOOP TO MULTI-PAIR LEAD-IN CABLE)



JUNCTION BOX (SPECIAL)



BOTTLE SPLICE DETAIL

REVISIONS	
NAME	DATE

ILLINOIS DEPARTMENT OF TRANSPORTATION
TRAFFIC SIGNAL DETECTOR LOOP DETAILS

SCALE: VERT. HORIZ.
DATE: MARCH 12, 1999
DRAWN BY WCD
CHECKED BY

PLOT DATE = 4/1/2005
FILE NAME = c:\projects\72895\ts-1\sheet.dgn
PLOT SCALE = 43.3795 / 1 IN.
REFERENCE = NREF