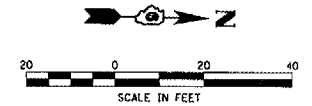
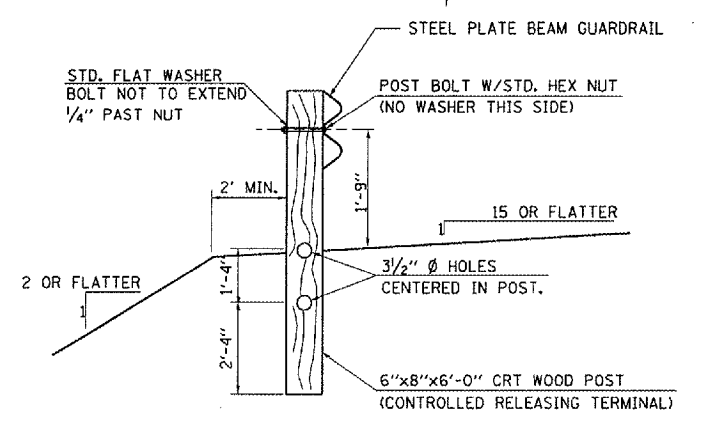
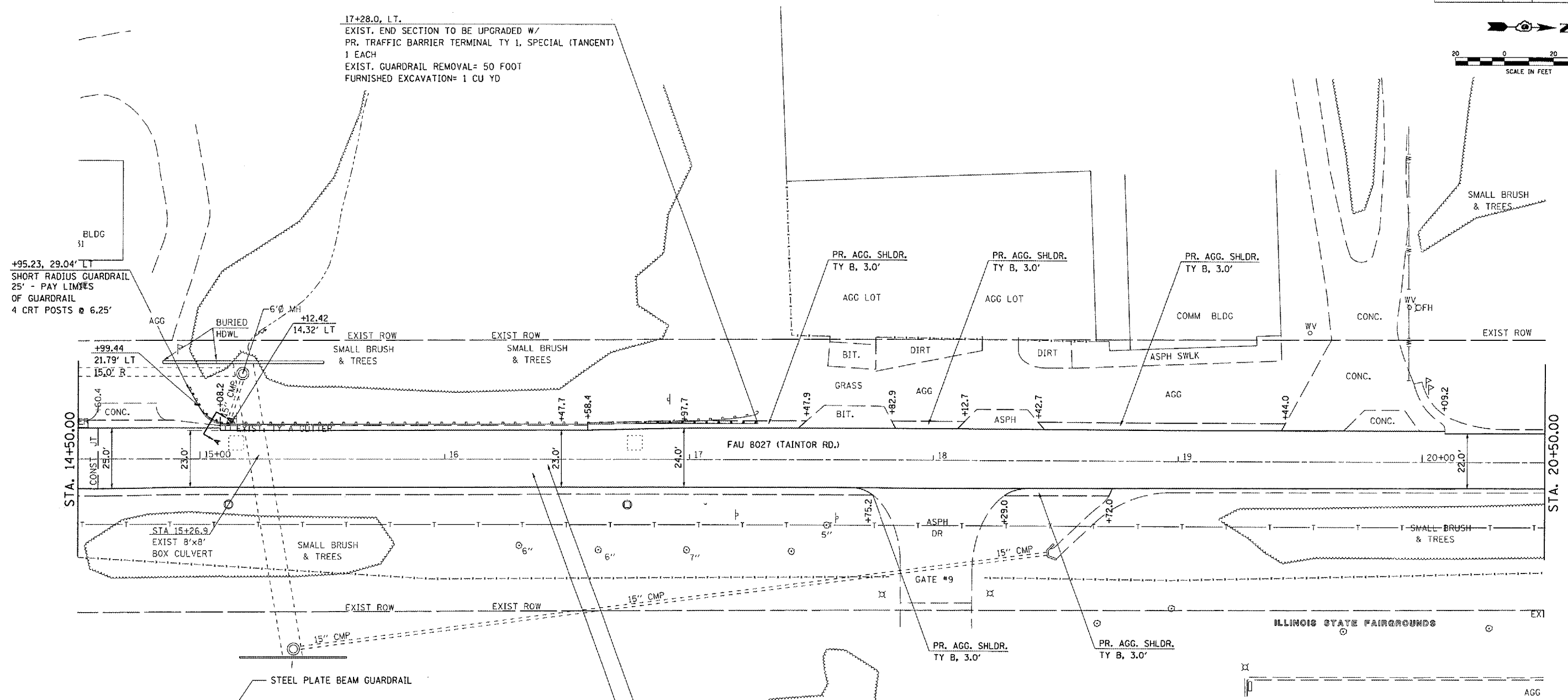


F.A.U. RTE.	SECTION	COUNTY	TOTAL SHEETS	SHEET NO.
B027	12RS-4,TS-1	SANGAMON	31	16
STA.		TO STA.		
FED. ROAD DIST. NO.		ILLINOIS FED. AID PROJECT		



17+28.0, LT.  
 EXIST. END SECTION TO BE UPGRADED W/  
 PR. TRAFFIC BARRIER TERMINAL TY 1, SPECIAL (TANGENT)  
 1 EACH  
 EXIST. GUARDRAIL REMOVAL= 50 FOOT  
 FURNISHED EXCAVATION= 1 CU YD



SECTION A-A

REVISIONS		DATE
NAME		

ILLINOIS DEPARTMENT OF TRANSPORTATION  
**PLAN SHEET**  
 FAU 8027 (TAINTOR RD.)  
 SECTION 12RS-4,TS-1  
 SANGAMON COUNTY

SCALE: HORIZ. DATE 02-14-05  
 VERT. SCALE: HORIZ. DATE 02-14-05  
 DRAWN BY TMJ  
 CHECKED BY MEB

PLOT DATE = 4/7/2005  
 FILE NAME = c:\p\projects\72985\72985.dgn  
 PLOT SCALE = 43.3724 / 11  
 REFERENCE = MEF#