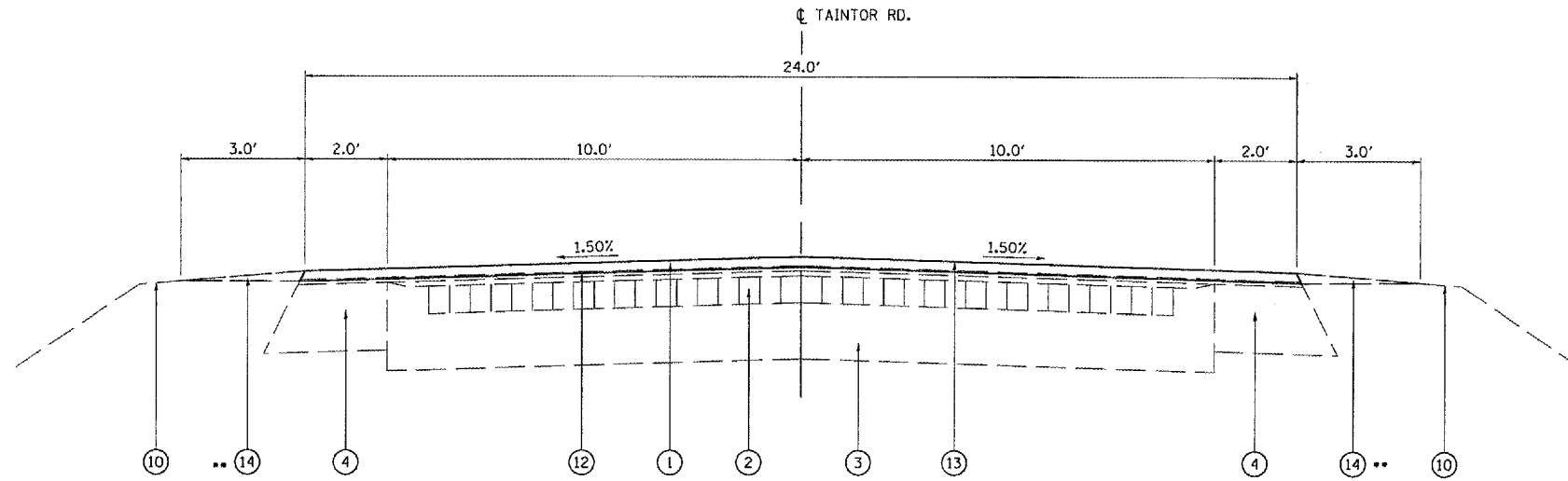


F.A.U. RTE.	SECTION	COUNTY	TOTAL SHEETS	SHEET NO.
8027	12RS-4,TS-1	SANGAMON	31	6
STA.		TO STA.		
FED. ROAD DIST. NO.		ILLINOIS	FED. AID PROJECT	

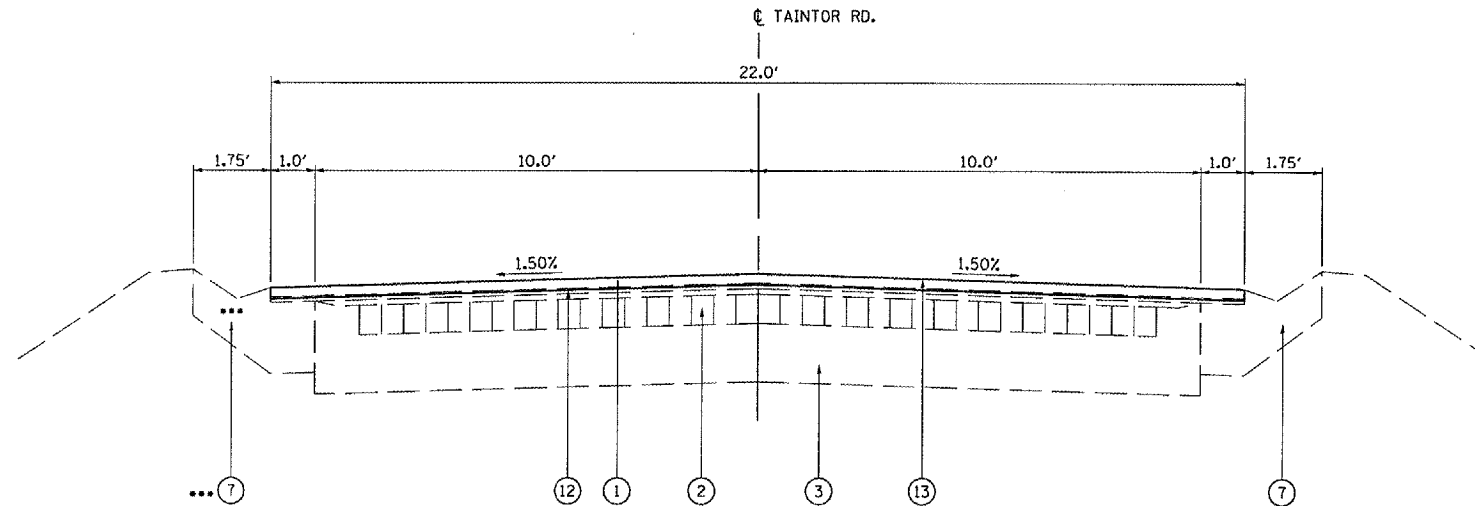


** PR. AGG. SHLDR., TY B
 STA. 16+58 - 17+48, LT.
 STA. 17+83 - 18+13, LT.
 STA. 18+43 - 19+44, LT.
 STA. 30+02 - 36+18, LT.
 STA. 36+69 - 38+99, LT.
 STA. 64+61.5 - 71+95, LT.

TAINTOR ROAD

STA. 14+60 - 15+12
 STA. 15+12 - 16+60, RT.
 STA. 16+60 - 19+00
 STA. 19+00 - 20+00, LT.
 STA. 47+60 - 47+90
 STA. 75+85 - 77+16, RT.

** PR. AGG. SHLDR., TY B
 STA. 14+41 - 17+75, RT.
 STA. 18+29 - 18+72, RT.
 STA. 30+26 - 38+24, RT.
 STA. 75+74 - 75+87, RT.
 STA. 76+21 - 77+13, RT.



*** STA. 77+00 - 77+50, LT.
 TRANSITION FROM EXIST. CONC.
 GUTTER TY B MODIFIED
 TO EXIST. COMB. CURB & GUTTER
 TY B-6.24

TAINTOR ROAD

STA. 15+12 - 16+60, LT.
 STA. 19+00 - 20+00, RT.
 STA. 20+00 - 28+29
 STA. 46+47 - 47+60
 STA. 69+21 - 72+00, RT.
 STA. 72+00 - 75+85
 STA. 75+85 - 77+50, LT.

- ① EXISTING BITUMINOUS CONCRETE SURFACE
- ② EXISTING ORIGINAL BRICK PAVEMENT
- ③ EXISTING PCC PAVEMENT
- ④ EXISTING BITUMINOUS CONCRETE BASE COURSE WIDENING, 9"
- ⑤ EXISTING CONCRETE GUTTER TY. A
- ⑥ EXISTING CONCRETE GUTTER TY. A, MODIFIED
- ⑦ EXISTING CONCRETE GUTTER TY. B, MODIFIED
- ⑧ EXISTING CONCRETE CURB & GUTTER TY. B-6.24
- ⑨ EXISTING BITUMINOUS SHOULDER, 8"
- ⑩ EXISTING EARTH SHOULDER
- ⑪ EXISTING SUB-BASE
- ⑫ PROPOSED BITUMINOUS SURFACE REMOVAL (CM), 1.5"
- ⑬ PROPOSED BITUMINOUS CONCRETE SURFACE COURSE, MIX C, N50, 1.5"
- ⑭ PROPOSED AGGREGATE SHOULDER, TY B

REVISIONS	
NAME	DATE

ILLINOIS DEPARTMENT OF TRANSPORTATION
TYPICAL SECTIONS
 FAU 8027 (TAINTOR RD.)
 SECTION 12RS-4,TS-1
 SANGAMON COUNTY
 SCALE: VERT. _____
 HORIZ. _____
 DATE 02-14-05
 DRAWN BY TMJ
 CHECKED BY MEB

PLOT DATE = 4/1/2005
 FILE NAME = c:\pvc\mca\8027\ts-1\typical.dgn
 PLOT SCALE = 43.2725' / IN.
 REFERENCE = MEF#