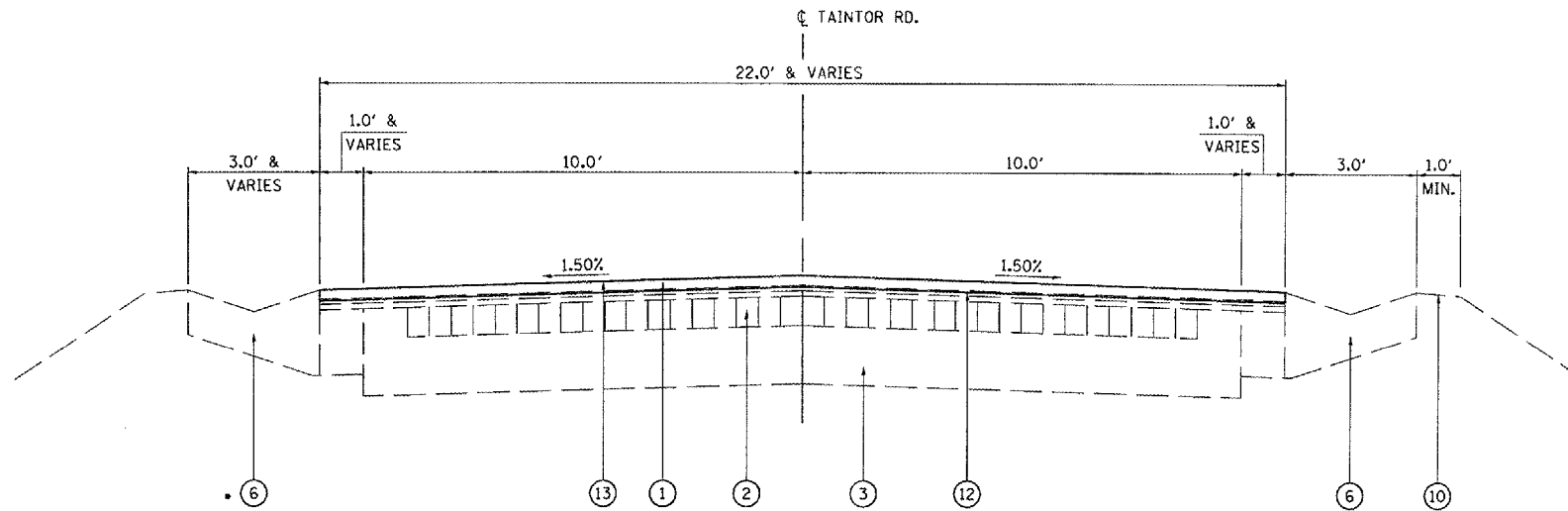
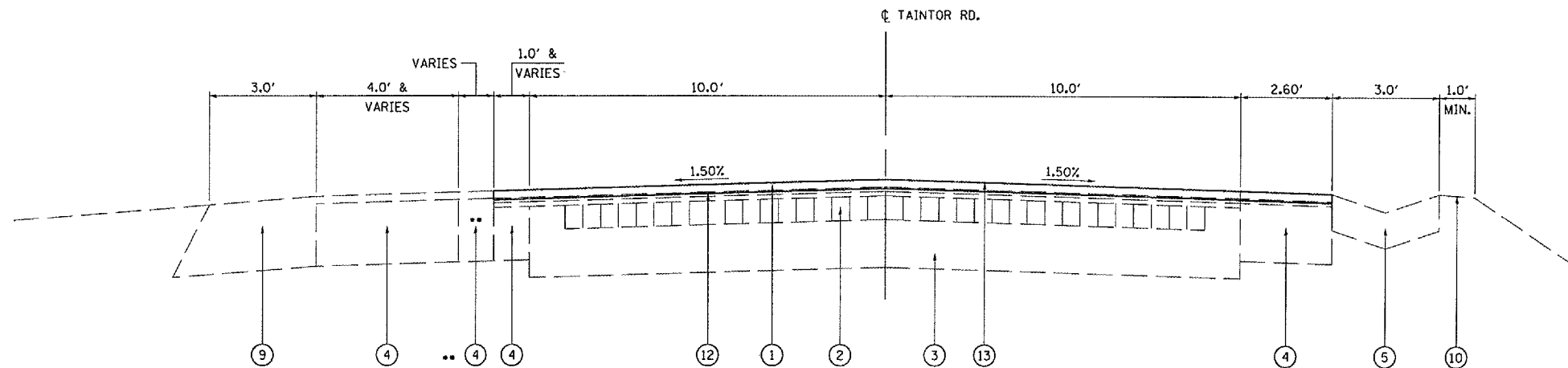


F.A.U. RTE.	SECTION	COUNTY	TOTAL SHEETS	SHEET NO.
8027	12RS-4,TS-1	SANGAMON	31	5
STA.		TO STA.		
FED. ROAD DIST. NO.		ILLINOIS	FED. AID PROJECT	



• STA. 11+69.89 - 12+01.59, EXIST. GUTTER  
 • STA. 12+01.59 - 12+38.60, EXIST. CUTTER OUTLET & BITUMINOUS BASE COURSE WIDENING

TAINTOR ROAD  
 STA. 11+69.89 - 12+40



•• ON RADIUS

TAINTOR ROAD  
 STA. 12+40 - 12+52

- |   |   |
|---|---|
| ① EXISTING BITUMINOUS CONCRETE SURFACE                  | ⑧ EXISTING CONCRETE CURB & GUTTER TY. B-6.24                    |
| ② EXISTING ORIGINAL BRICK PAVEMENT                      | ⑨ EXISTING BITUMINOUS SHOULDER, 8"                              |
| ③ EXISTING PCC PAVEMENT                                 | ⑩ EXISTING EARTH SHOULDER                                       |
| ④ EXISTING BITUMINOUS CONCRETE BASE COURSE WIDENING, 9" | ⑪ EXISTING SUB-BASE   |
| ⑤ EXISTING CONCRETE GUTTER TY. A                        | ⑫ PROPOSED BITUMINOUS SURFACE REMOVAL (CM), 1.5"                |
| ⑥ EXISTING CONCRETE GUTTER TY. A, MODIFIED              | ⑬ PROPOSED BITUMINOUS CONCRETE SURFACE COURSE, MIX C, N50, 1.5" |
| ⑦ EXISTING CONCRETE GUTTER TY. B, MODIFIED              | ⑭ PROPOSED AGGREGATE SHOULDER, TY B                             |

PLOT DATE = 4/1/2005  
 FILE NAME = c:\proj\msh\652385\sh\typical.dgn  
 PLOT SCALE = 43.3735' / IN.  
 REFERENCE = #REF#

REVISIONS	
NAME	DATE

ILLINOIS DEPARTMENT OF TRANSPORTATION  
**TYPICAL SECTIONS**  
 FAU 8027 (TAINTOR RD.)  
 SECTION 12RS-4,TS-1  
 SANGAMON COUNTY  
 SCALE: VERT.     DRAWN BY TMJ  
 HORIZ.            CHECKED BY MEB  
 DATE 02-14-05