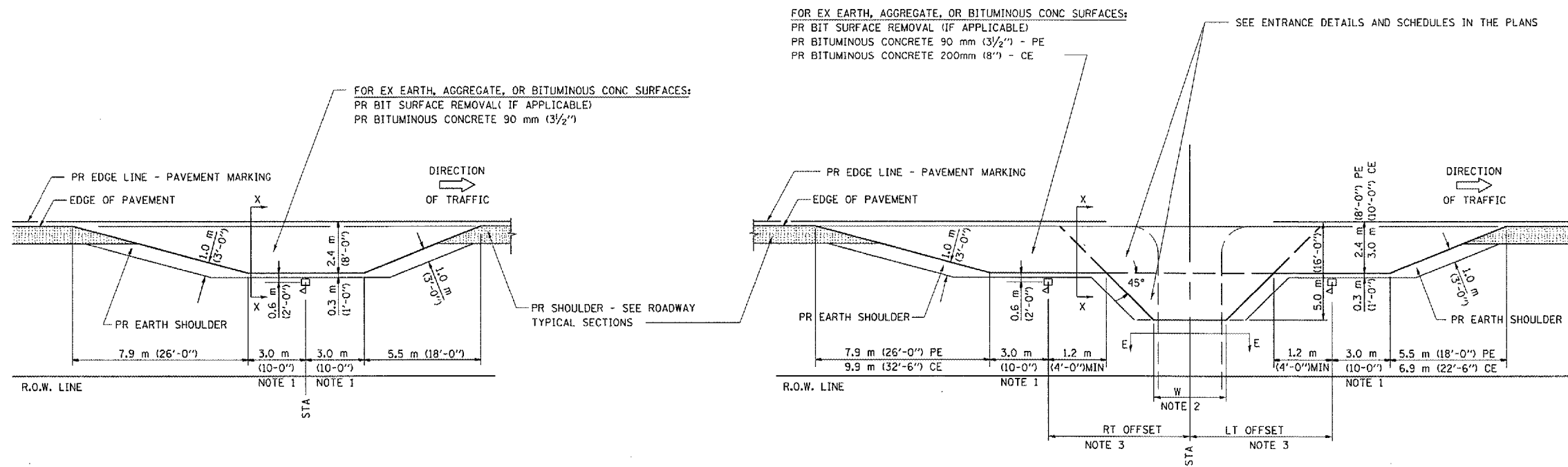


F.A.P. RTE.	SECTION	COUNTY	TOTAL SHEETS	SHEET NO.
123	150 RS	SANGAMON	28	26
STA.		TO STA.		
FED. ROAD DIST. NO.	ILLINOIS	FED. AID PROJECT		

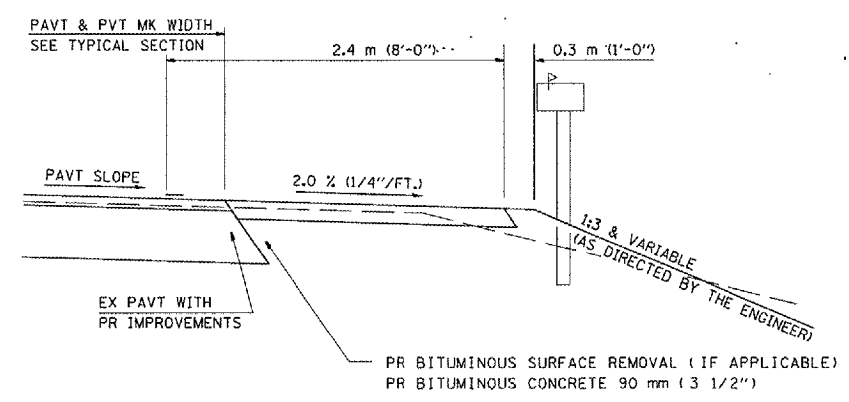
72876

DETAILS OF MAILBOX TURNOUTS

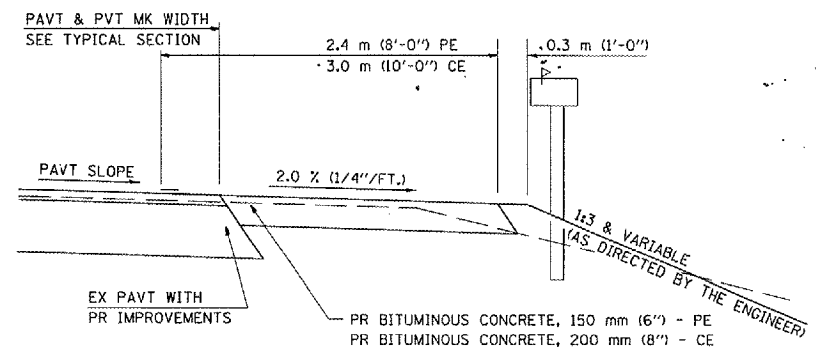


PLAN - MAILBOX TURNOUTS

PLAN - COMBINED MAILBOX TURNOUT WITH TRAILING OR LEADING ENTRANCE



SECTION X-X THRU MAILBOX TURNOUT
ALSO APPLIES TO MAILBOX TURNOUTS COMBINED WITH EX EARTH, AGGREGATE, OR BITUMINOUS PE & FE



SECTION X-X THRU MAILBOX TURNOUT COMBINED WITH EX BITUMINOUS CONC & PC CONC PE & CE

- NOTE 1 IF MORE THAN ONE MAILBOX IS PRESENT, DIMENSION FROM CENTER OF END MAILBOX.
- NOTE 2 FOR ENTRANCE LAYOUT DIMENSIONS AND SECTIONS A-A & E-E REFER TO THE SCHEDULES IN THE PLANS.
- NOTE 3 BOTH LT OR RT OFFSETS FOR MAILBOX SHOWN USE OFFSET DIMENSION PER SCHEDULE AND REFER TO LAYOUT SHOWN ON THE PLAN.

ALL DIMENSIONS ARE IN MILLIMETERS (INCHES) UNLESS OTHERWISE SHOWN.

REVISIONS	
NAME	DATE

ILLINOIS DEPARTMENT OF TRANSPORTATION
DETAILS FOR RURAL ENTRANCE, MAILBOX TURNOUT & SIDE ROAD
SHEET 2 OF 3
SCALE: VERT. HORIZ.
DATE: FEBRUARY 23, 1999
DRAWN BY CAD
CHECKED BY JCN