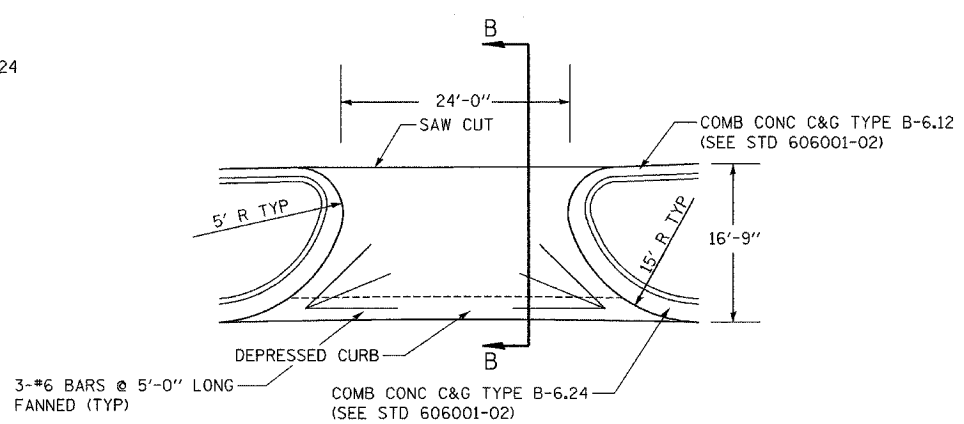
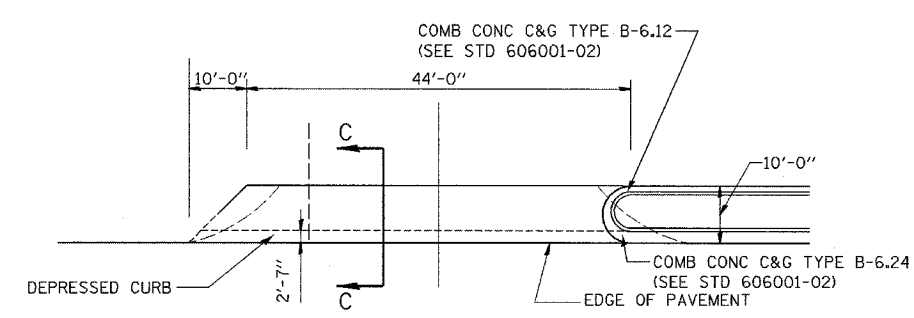


**CE DETAIL A**  
 GROVE ST STA 11+07.03 LT  
 COMMERCIAL ENTRANCE WITH COMBINATION  
 CONCRETE CURB & GUTTER TYPE B-6.24  
 CONNECTING TO CONCRETE CURB & GUTTER TYPE B-6.18

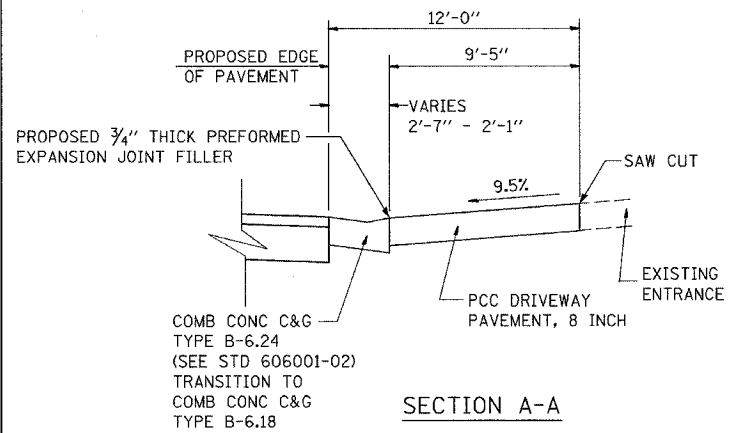


**CE DETAIL B**  
 US 54 STA 58+51.69 RT  
 US 54 STA 59+03.46 RT  
 COMMERCIAL ENTRANCE WITH COMBINATION  
 CONCRETE CURB & GUTTER TYPE B-6.24

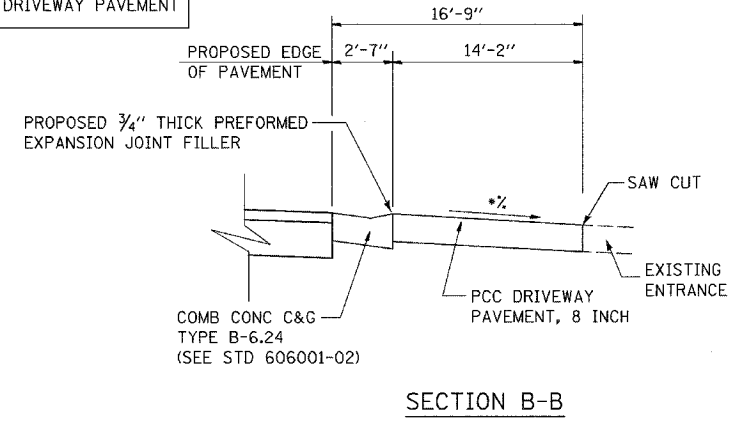


**CE DETAIL C**  
 GROVE ST STA 11+98.05 RT  
 COMMERCIAL ENTRANCE WITH COMBINATION  
 CONCRETE CURB & GUTTER TYPE B-6.24

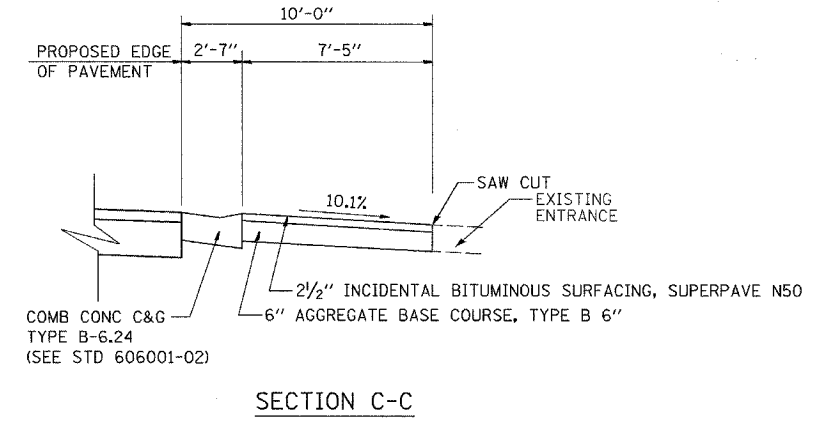
**NOTE:**  
 THE COST OF FURNISHING AND INSTALLING  
 THE 3/4" PREFORMED EXPANSION JOINT FILLER  
 AND REINFORCEMENT BARS SHALL BE INCLUDED  
 IN THE COST OF THE PCC DRIVEWAY PAVEMENT



**SECTION A-A**

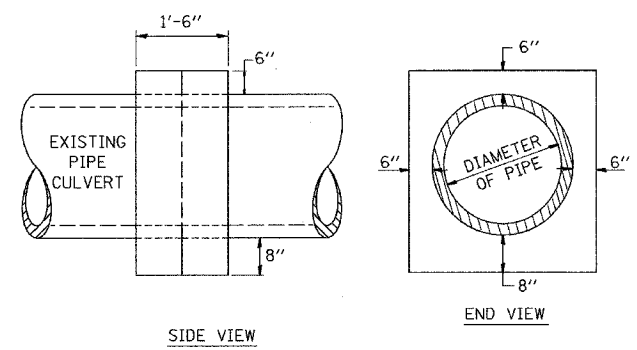


**SECTION B-B**



**SECTION C-C**

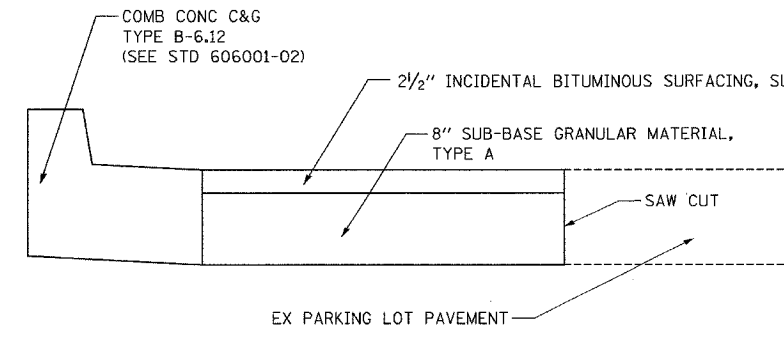
\* SEE CROSS SECTIONS FOR SLOPE



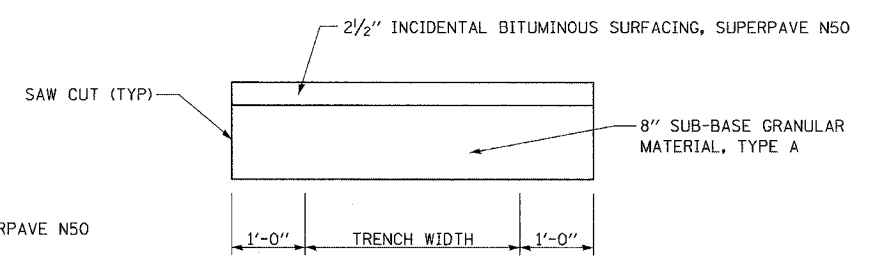
**CONCRETE COLLAR DETAIL**  
 SEE SHEET 13 FOR LOCATION

**TABULATION**

DIAMETER OF PIPE	CL. SI CONC. CU. YDS. EST.
12"	0.24
15"	0.29
18"	0.32
24"	0.44
30"	0.56
36"	0.66
42"	0.80
48"	0.93
54"	1.07
60"	1.22
72"	1.55



**PARKING LOT ADDITION DETAIL**  
 SEE SHEET 10 FOR LOCATION



**PAVEMENT PATCH - PARKING LOT OVER STORM SEWER**  
 SEE SHEET 10 FOR LOCATION

**REVISIONS**

NAME	DATE

ILLINOIS DEPARTMENT OF TRANSPORTATION  
**MISCELLANEOUS DETAILS**  
 FAP ROUTE 321  
 SCALE: NONE  
 DATE 12/16/03  
 DRAWN BY: AJP  
 CHECKED BY: SRD

Plot Date: 9/28/2004  
 Plot Time: 15:53:34 PM  
 Plotter: E:\adonchue  
 Pen Table: 1001.tbl  
 File Name: I:\0025\work\order\12\constr\plan\misc\det\14.dgn

THE CONCRETE COLLAR SHALL BE PAID FOR AT THE CONTRACT UNIT PRICE PER EACH FOR **CONCRETE COLLAR**, AS SHOWN ON THE PLANS, WHICH PRICE SHALL INCLUDE THE REMOVAL OF SUCH PORTIONS OF THE EXISTING HEADWALLS AS MAY BE REQUIRED.  
 CLASS SI CONCRETE SHALL BE USED THROUGHOUT.