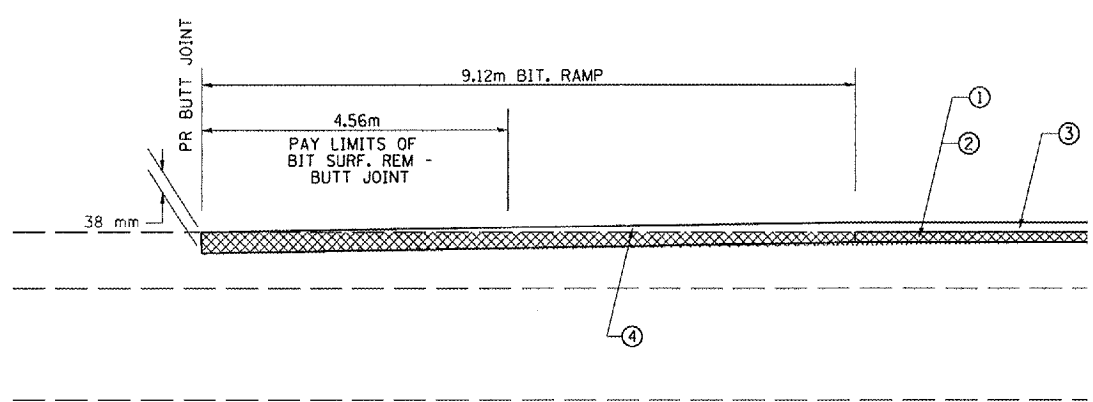


F.A.P. RTE.	SECTION	COUNTY	TOTAL SHEETS	SHEET NO.
325		MONTGOMERY	39	36
STA.		TO STA.		
FED. ROAD DIST. NO.		ILLINOIS FED. AID PROJECT		

• 21RS-4; 24RS-7
CONTRACT NO. 72444

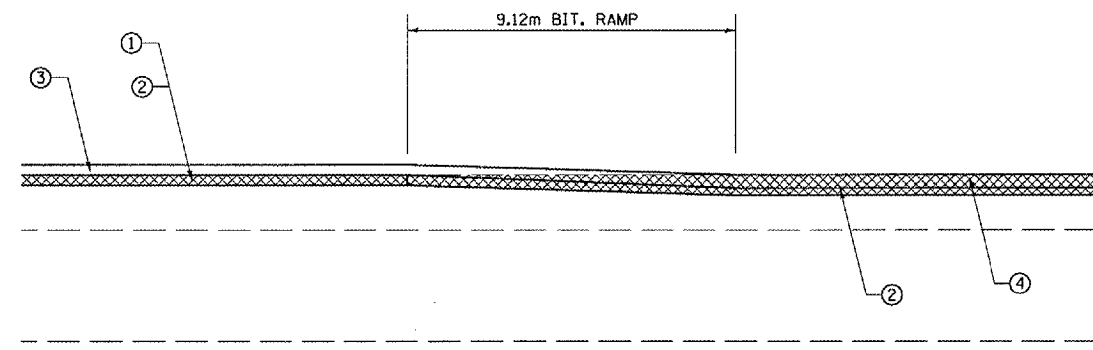
LOCATION
STA. 4+015.000 TO STA 4+024.120



LEGEND

- ① PR BITUMINOUS SURFACE REMOVAL, VAR. DEPTH (19 mm AVG @ ϕ)
- ② PR LEVEL. BINDER, 19 mm AVG.
- ③ PR BITUMINOUS CONCRETE SURF. CSE, 38 mm
- ④ PR BITUMINOUS CONCRETE SURF. CSE. (38 mm TO 57 mm)

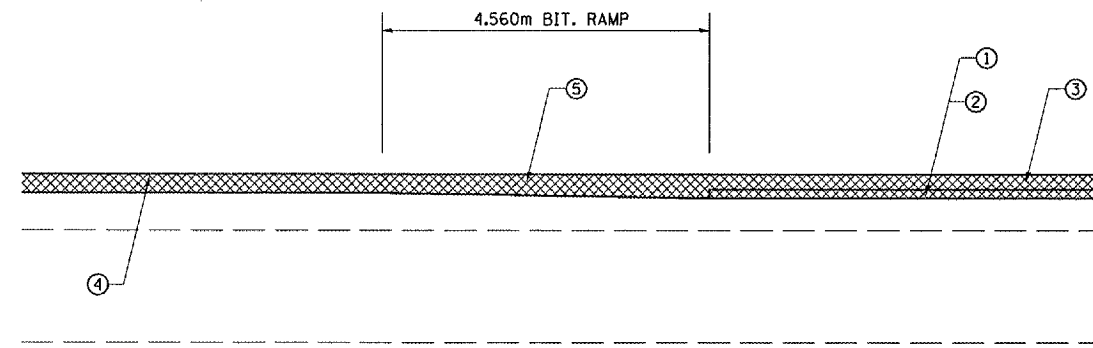
LOCATION
STA. 4+914.000 TO STA 4+923.140



LEGEND

- ① PR BITUMINOUS SURFACE REMOVAL, VAR. DEPTH (19 mm AVG @ ϕ)
- ② PR LEVEL. BINDER, 19 mm AVG.
- ③ PR BITUMINOUS CONCRETE SURF. CSE, 38 mm
- ④ PR BITUMINOUS CONCRETE SURF. REM, 60 mm
PR BITUMINOUS CONCRETE SURF. CSE, 38 mm

LOCATION
STA. 5+032.617 TO STA 5+037.177 (ROTATED 180 DEGREE)
STA 5+314.974 TO STA 5+319.534



LEGEND

- ① PR BITUMINOUS SURFACE REMOVAL, 60 mm
- ② PR LEVEL. BINDER, 19 mm AVG.
- ③ PR BITUMINOUS CONCRETE SURF. CSE, 38 mm
- ④ PR BITUMINOUS CONCRETE SURF. REM, 40 mm
PR BITUMINOUS CONCRETE SURF. CSE, 38 mm
- ⑤ PR BITUMINOUS CONCRETE SURF. CSE (38 mm TO 57 mm)

REVISIONS	
NAME	DATE

ILLINOIS DEPARTMENT OF TRANSPORTATION
BITUMINOUS RAMP DETAILS
DRAWN BY
CHECKED BY
DATE