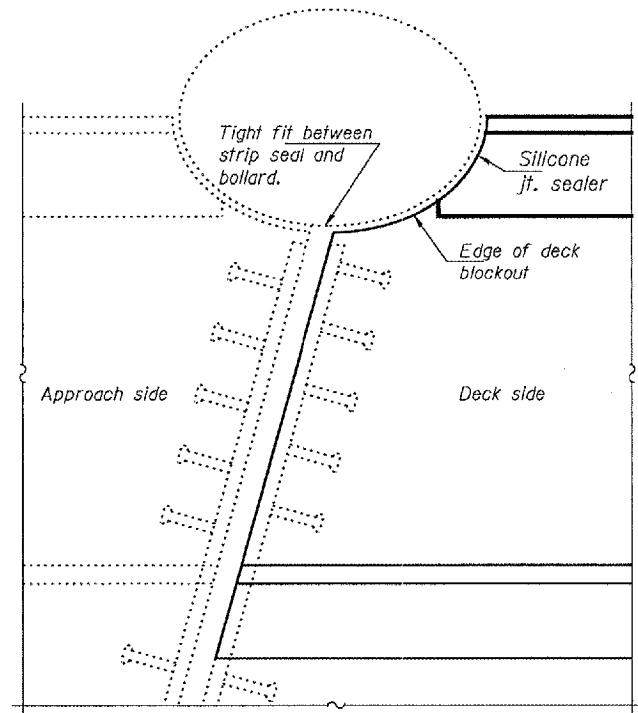
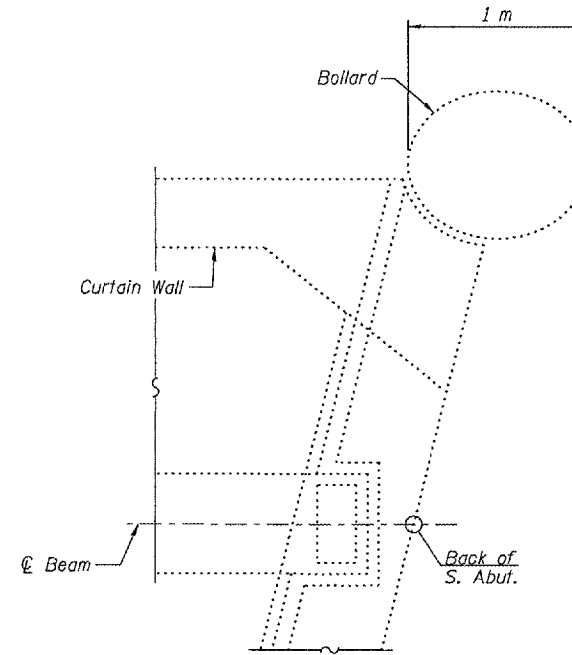


STATE OF ILLINOIS  
DEPARTMENT OF TRANSPORTATION

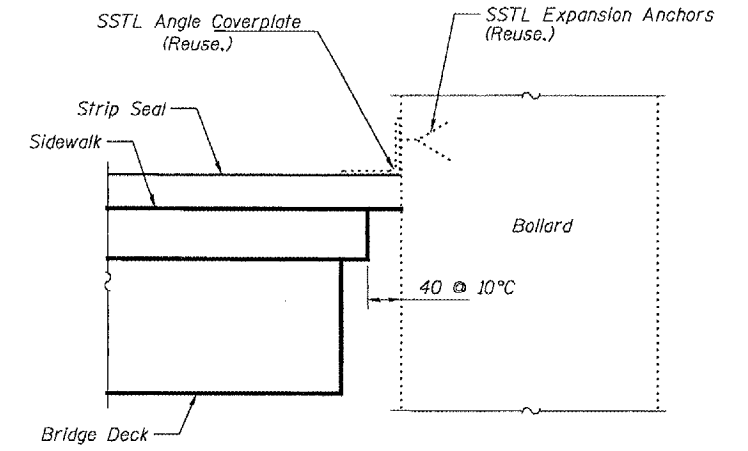
ROUTE NO.	SECTION	COUNTY	TOTAL SHEETS	SHEET NO.	SHEET NO. 8 11 SHEETS
			18	15	
FED. ROAD DIST. NO. 7		ILLINOIS	FED. AID PROJECT		Contract #68492



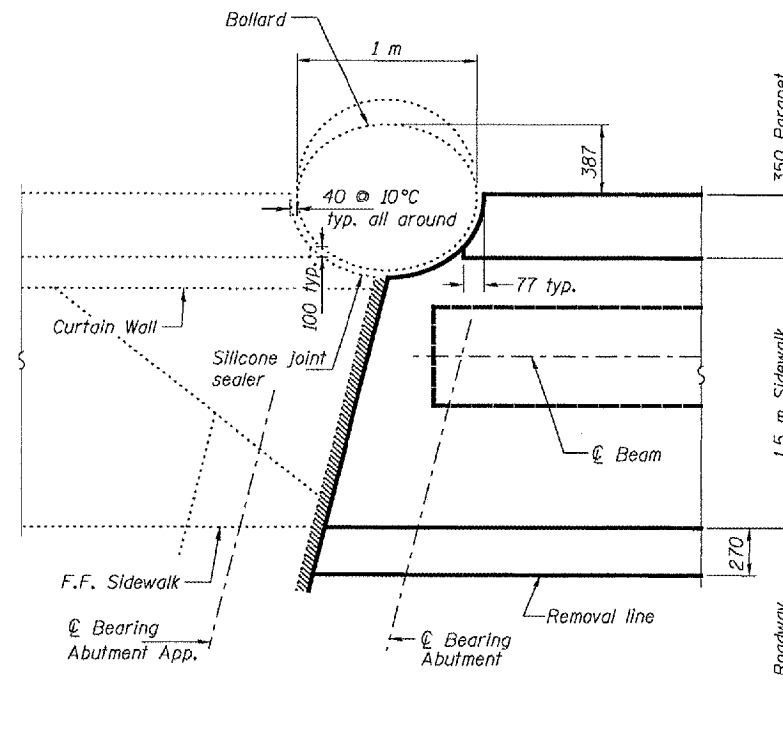
**PLAN**



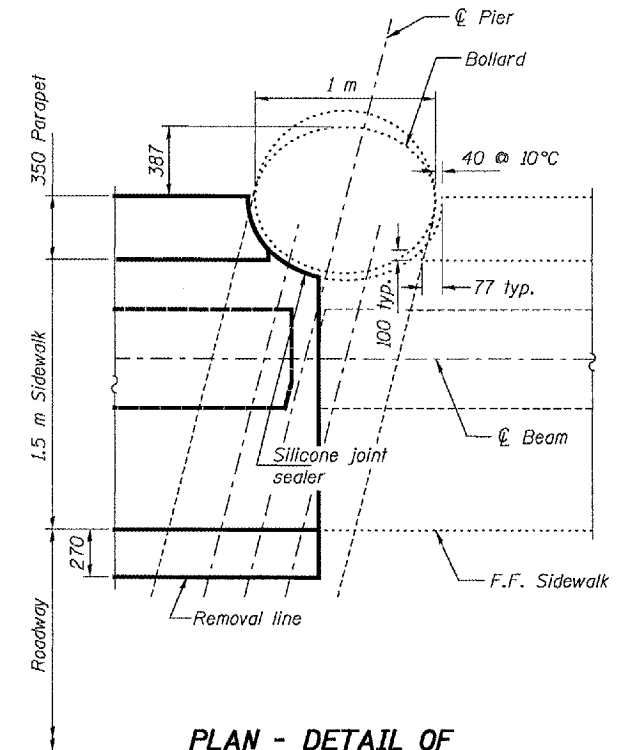
**PARTIAL PLAN UNDER DECK**  
Span 1 Over South Vaulted Abutment



**SECTION THROUGH JOINT SEAL**



**PLAN - DETAIL AT ABUTMENT JOINT**



**PLAN - DETAIL OF PARAPET AT PIER**

DESIGNED	DAB
CHECKED	SJB
DRAWN	baliva
CHECKED	DAB SJB

May 10, 2005  
 EXAMINED *John A. Morris*  
 ENGINEER OF STRUCTURAL SERVICES  
 PASSED *Ralph E. Anderson*  
 ENGINEER OF BRIDGES AND STRUCTURES

**EXPANSION JOINT DETAILS**  
**SHERIDAN ROAD OVER**  
**FAI ROUTE 74 (I-74)**  
**PEORIA COUNTY**  
**SN 072-0193**