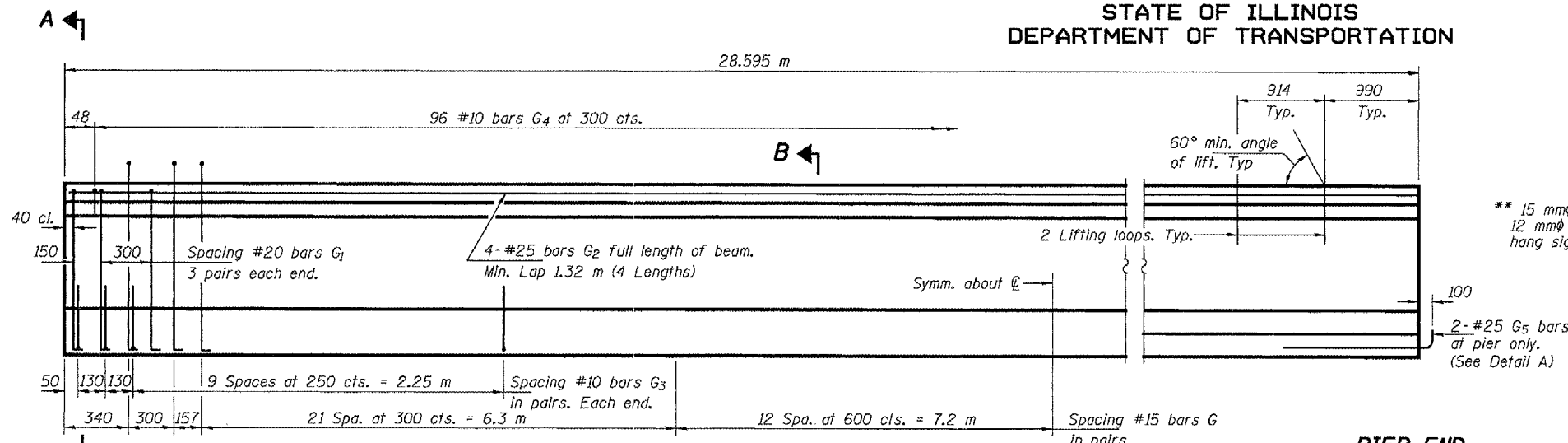


STATE OF ILLINOIS
DEPARTMENT OF TRANSPORTATION

ROUTE NO.	SECTION	COUNTY	SHEET NO.	SHEET TOTAL
			18	11
FED. ROAD DIST. NO. 7		ILLINOIS	FED. AID PROJECT-	

SHEET NO. 4
11 SHEETS

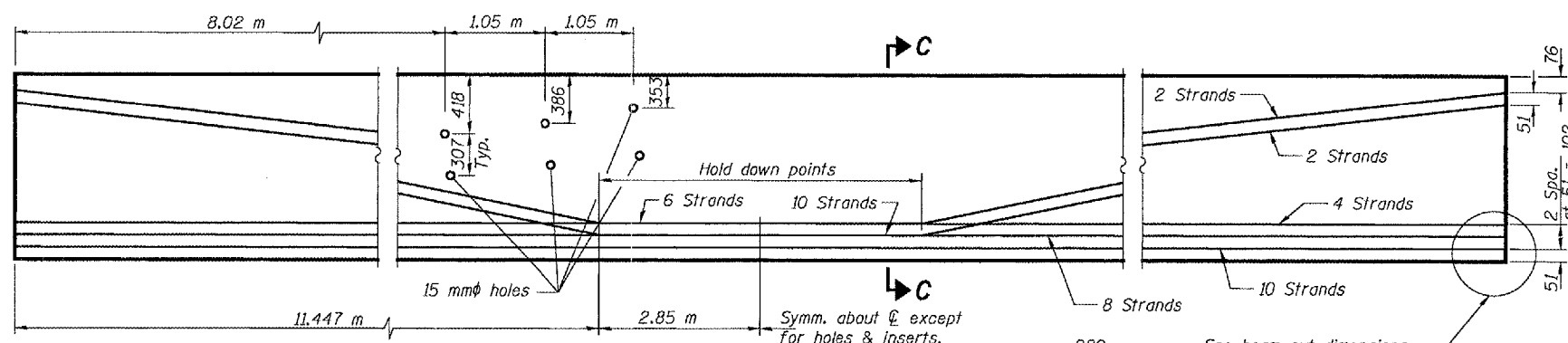
Contract #68492



ELEVATION OF BEAM
(Showing Reinforcement & Dimensions)

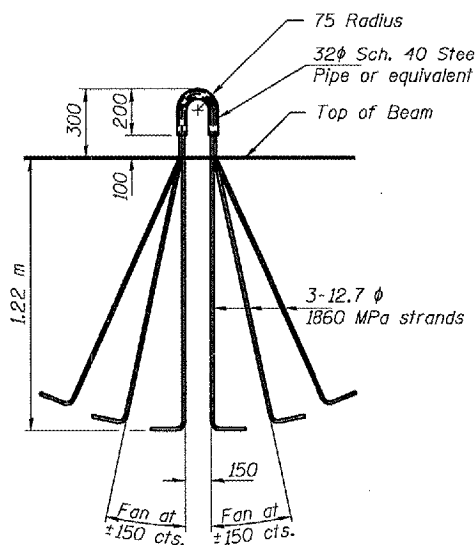
PIER END

ABUTMENT END

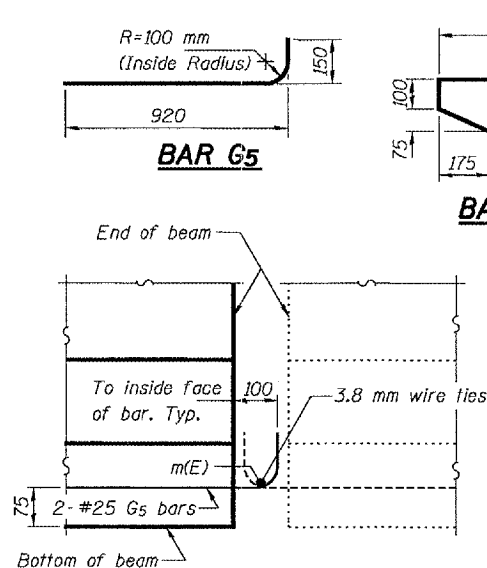


ELEVATION OF BEAM
(Showing Prestressing Steel)

See beam cut dimensions in Detail A. (Pier end only.)



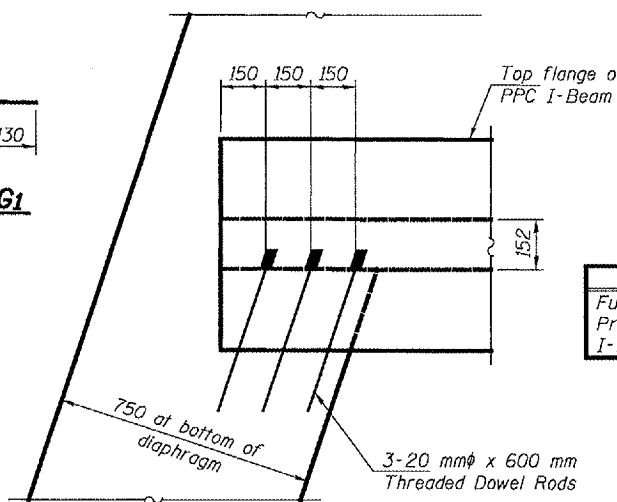
LIFTING LOOP DETAIL



ELEVATION

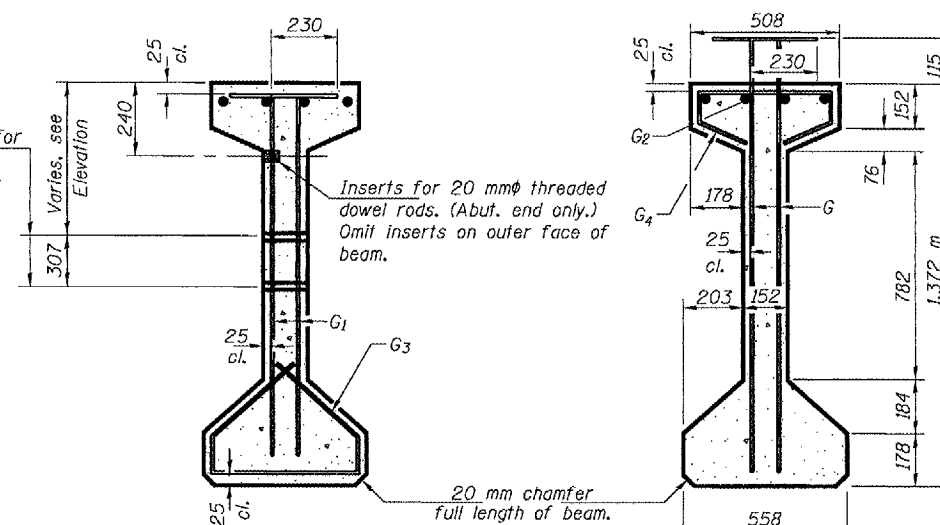
DETAIL A

PLAN



DETAIL C

(At Abutment end only)



SECTION A-A

SECTION B-B

NOTES

All inserts and threaded dowel rods for inserts, reinforcing and Prestressing Steel, and other items which are cast into the Precast Concrete I-Beams shall be included in the contract unit price per meter of "Furnishing and Erecting Precast Prestressed Concrete I-Beams, 1372 mm."

Inserts for 20 mm threaded dowel rods are to be two strut, coil type for interior I-Beams and single coil, flared loop type for exterior I-Beams. Prestressing steel shall be uncoated high strength, low relaxation 7-wire strand (Fu=1860 MPa).

The nominal diameter shall be 12.7 mm and the nominal cross-sectional area shall be 98.71 mm².

Non-prestressing steel shall conform to AASHTO designation M 31M or M 322M Grade 400.

Required release strength, f'ci, shall be 35 MPa.

Reinforcement bars designated (E) shall be epoxy coated.

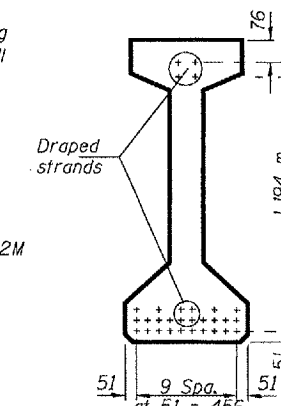
All dimensions are in millimeters (mm) except as noted.

For Bar detail m(E) see sheet 6 of 11.

** Place reinforcement bars minimum 150 mm from these 15 mm diameter holes.

The 15 mm holes shall be 150 mm min. from centerline of prestress strands.

A minimum 64 mm diameter lifting pin shall be used to engage the lifting loops during handling. Tilt the G5 bar on exterior face inward to maintain 38 mm concrete cover



SECTION C-C

*** BAR LIST**

Bar No.	Size	Length (m)	Shape
G	#15	1.91	TL
G1	#20	1.61	TL
G2	#25	8.10	TL
G3	#10	1.02	TL
G4	#10	1.03	TL
G5	#25	1.07	TL

* For one beam only.

BILL OF MATERIAL

Item	Unit	Total
Furnishing and Erecting Precast Prestressed Concrete I-Beams, 1372 mm	m	28.6

BEAM REPLACEMENT DETAILS
SHERIDAN ROAD OVER
FAI ROUTE 74 (I-74)
PEORIA COUNTY
SN 072-0193

DESIGNED	DAB
CHECKED	SJB
DRAWN	baliva
CHECKED	DAB SJB

EXAMINED *John A. Morris*
ENGINEER OF STRUCTURAL SERVICES
PASSED *Ralph E. Anderson*
ENGINEER OF BRIDGES AND STRUCTURES
May 10, 2005