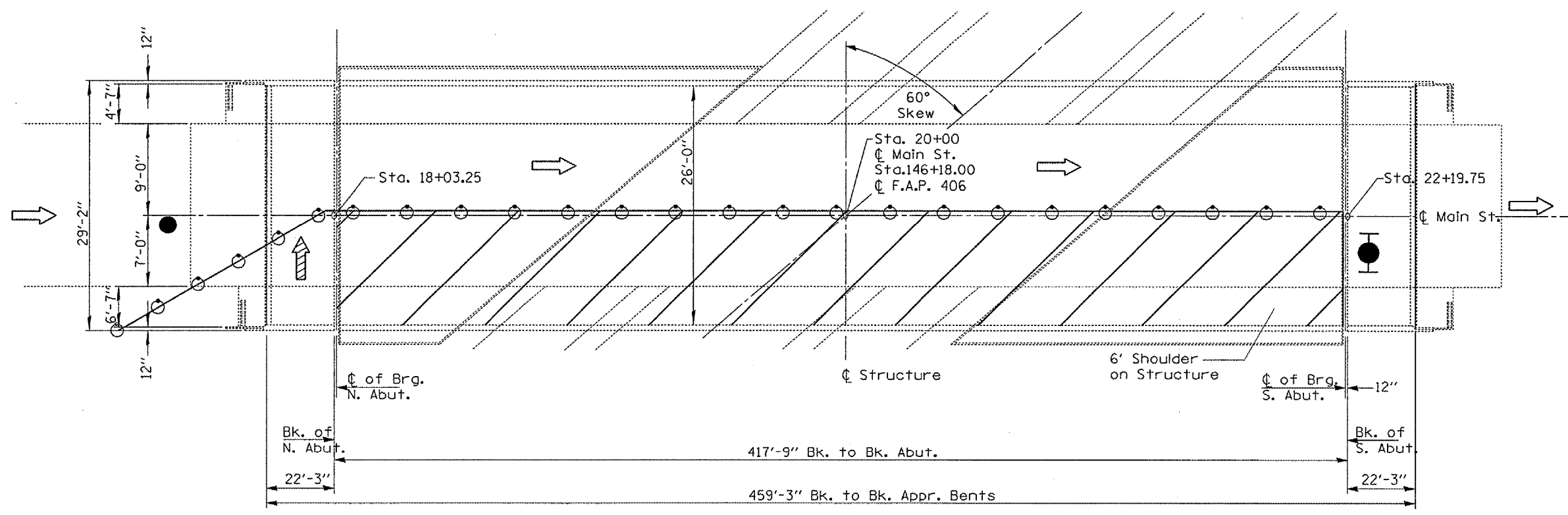


F.A.I. RTE.	SECTION	COUNTY	TOTAL SHEETS	SHEET NO.
74	D4 BRIDGE REP.	TAZEWELL	24	11
STA. 18+04.50		TO STA. 22+42.00		
FED. ROAD DIST. NO. 4 ILLINOIS FED. AID PROJECT				



PLAN VIEW

Symbols

- Work Area
- Cone, Drum, or Barricade
- 200' Sign Spacing (40 MPH)
- Type II barricade with flashing lights
- Arrow Board
- Flagger w/Traffic Control Sign

NOTES

Traffic Control is Typical for Staging and will be mirrored on half-decks with Field Engineers' choice for whichever lane occurs first. Refer to Highway Standard 701601 for exact placement of traffic management devices and other clarifications as construction staging symbols and dimensioning were duplicated off of this standard.

S.N. 090-0131
Main St.
over I-155

REVISIONS	
NAME	DATE

ILLINOIS DEPARTMENT OF TRANSPORTATION

CONSTRUCTION AND TRAFFIC STAGING

SCALE: VERT. DRAWN BY CEJ
 HORIZ. CHECKED BY
 DATE 01-28-2004

PLOT DATE: #DATE*
 FILE NAME: #FILE#*
 REFERENCE: #REF#*