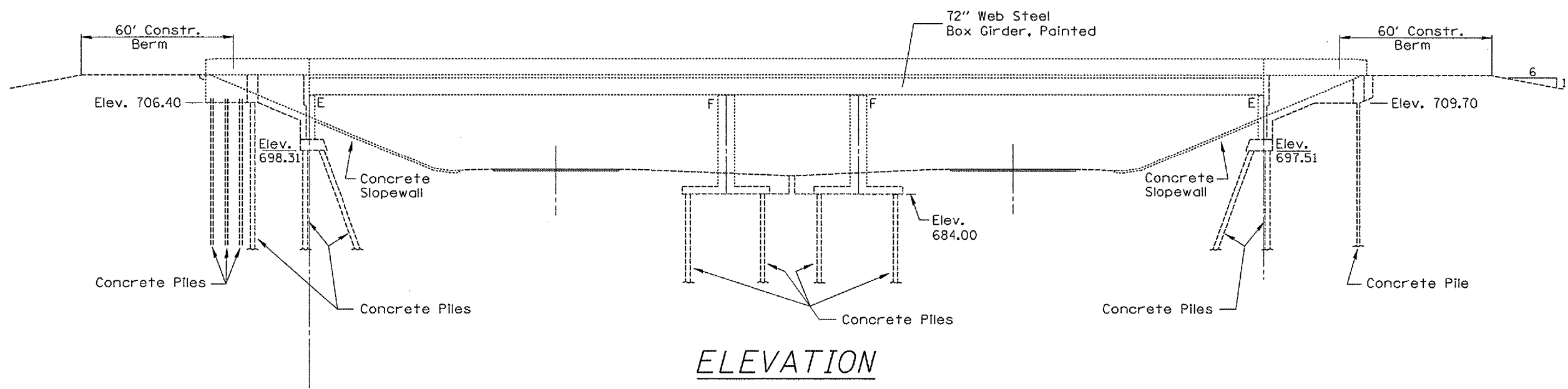
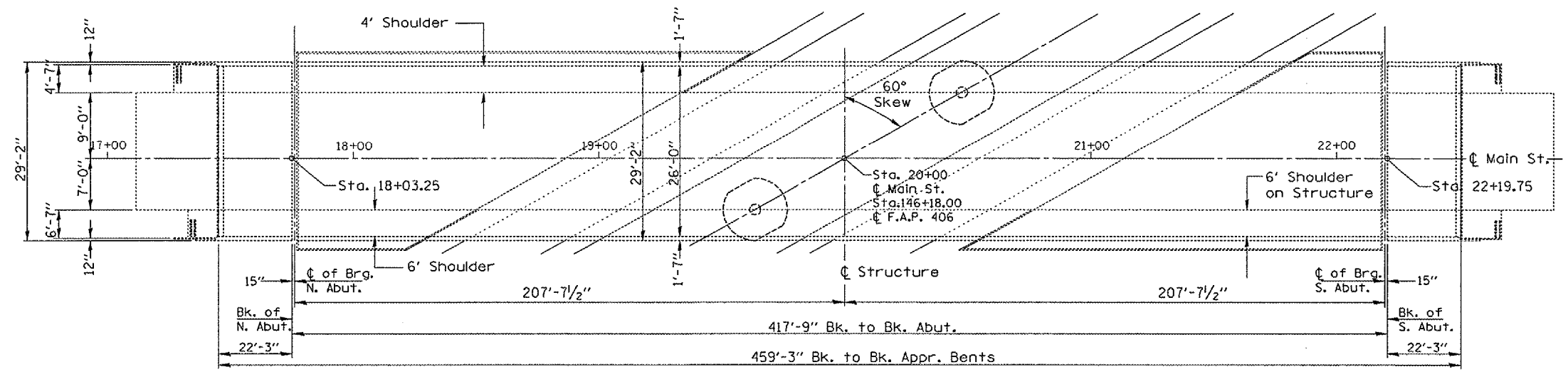


F.A.T. R.T.E.	SECTION	COUNTY	TOTAL SHEETS	SHEET NO.
74	D4 BRIDGE REP.	TAZEWELL	24	10
STA. 18+04.50		TO STA. 22+42.00		
FED. ROAD DIST. NO. 4 ILLINOIS FED. AID PROJECT				



ELEVATION



PLAN

TOTAL BILL OF MATERIAL

ITEM	UNIT	QUANTITY
CONCRETE HEALER SEALER	SQ.YD.	1554
EPOXY MARKING LINE - 4"	FOOT	1378

GENERAL NOTES

PLAN DIMENSIONS AND DETAILS RELATIVE TO EXISTING STRUCTURE HAVE BEEN TAKEN FROM EXISTING PLANS AND ARE SUBJECT TO NOMINAL CONSTRUCTION VARIATIONS. IT SHALL BE THE CONTRACTOR'S RESPONSIBILITY TO VERIFY SUCH DIMENSIONS AND DETAILS IN THE FIELD AND MAKE NECESSARY APPROVED ADJUSTMENTS PRIOR TO WORK OR THE ORDERING OF MATERIALS. SUCH VARIATIONS SHALL NOT BE CAUSE FOR ADDITIONAL COMPENSATION FOR A CHANGE IN THE SCOPE OF THE WORK. HOWEVER, THE CONTRACTOR WILL BE PAID FOR THE QUANTITY ACTUALLY FURNISHED AT THE UNIT PRICE BID FOR THE PROJECT.

S.N. 090-0131  
Main St.  
over I-155

REVISIONS	
NAME	DATE

ILLINOIS DEPARTMENT OF TRANSPORTATION  
**GENERAL PLAN AND ELEVATION**  
SCALE: VERT. HORIZ. DATE 08-30-2004  
DRAWN BY CEJ  
CHECKED BY

PLOT DATE = #DATES  
FILE NAME = #FILES  
PLOT SCALE = #SIZES  
REFERENCE = #REFS